

Del Morino®

FARM & GARDEN EQUIPMENT



Del Morino S.r.l.

Via Caroni di Sotto, 19

Cap 52033 - Caprese Michelangelo - AR

Tel: +39-575-791059 Fax: +39-575-791210

Web: <http://www.del-morino.it> e-mail: export@del-morino.it

ILLUSTRATED SPARE PARTS LIST

Index

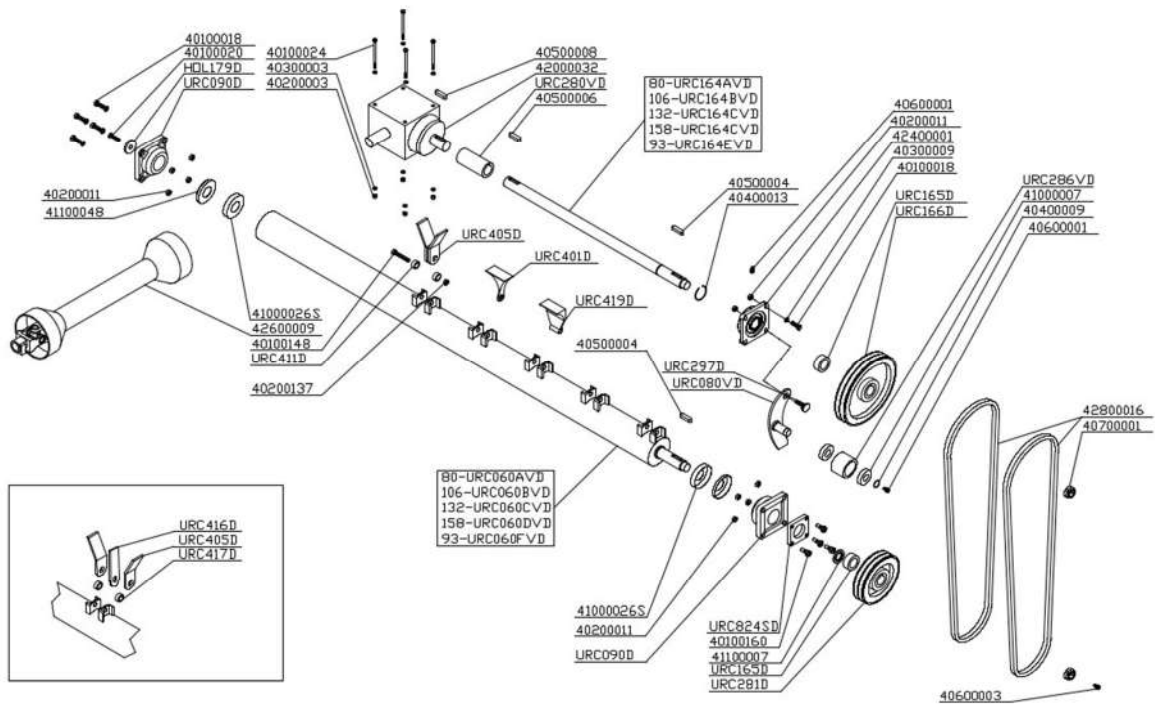
ILLUSTRATED SPARE PARTS LIST	1
MECHANISMS FUNNY	7
FRAME FUNNY	7
MECHANISMS FUNNY TOP.....	8
FRAME FUNNY TOP.....	8
MECHANISMS FUNNY SUPER.....	9
FRAME FUNNY SUPER.....	9
III POINT FUNNY SUPER.....	10
HYDRAULIC SYSTEM FUNNY SUPER	10
MECHANISMS DISCO – CAST IRON GEARBOX.....	11
MECHANISMS DISCO – ALUMINIUM GEARBOX.....	11
FRAME DISCO – CAST IRON GEARBOX	12
FRAME DISCO – ALUMINIUM GEARBOX.....	12
MECHANISMS CENTURION 106-132-158.....	13
MECHANISMS CENTURION 186	13
FRAME CENTURION 106-132-158-186	14
HYDRAULIC SYSTEM CENTURION.....	14
MECHANISMS CENTURION SUPER.....	15
FRAME CENTURION SUPER.....	15
III POINT CENTURION SUPER.....	16
HYDRAULIC SYSTEM CENTURION SUPER	16
MECHANISMS FLIPPER 80-106.....	17
MECHANISMS FLIPPER 132-158-186-214	17
FRAME FLIPPER 80-106.....	18
FRAME FLIPPER 132-158-186-214	18
HYDRAULIC/MECHANIC SIDE SHIFT KIT FLIPPER 106-132-158-186	19
HYDRAULIC/MECHANIC SIDE SHIFT KIT FLIPPER 214	19
HYDRAULIC SYSTEM FLIPPER	20
MECHANISMS FLIPPER SUPER.....	21
FRAME FLIPPER SUPER.....	21
III POINT FLIPPER SUPER	22
HYDRAULIC SYSTEM FLIPPER SUPER	22
MECHANISMS FARM.....	23
FRAME FARM.....	23
HYDRAULIC/MECHANIC SIDE SHIFT OPTION FARM 132-158-186.....	24

HYDRAULIC/MECHANIC SIDE SHIFT OPTION FARM 214	25
MECHANISMS VICTOR	26
FRAME VICTOR.....	26
III POINT VICTOR	27
HYDRAULIC SYSTEM VICTOR	27
MECHANISMS LEVANTE	28
FRAME LEVANTE	28
III POINT LEVANTE.....	29
HYDRAULIC SYSTEM LEVANTE.....	29
MECHANISMS LEVANTE PLUS.....	30
FRAME LEVANTE PLUS	30
III POINT LEVANTE PLUS.....	31
HYDRAULIC SYSTEM LEVANTE PLUS.....	31
MECHANISMS LEVANTE SUPER.....	32
FRAME LEVANTE SUPER.....	32
III POINT LEVANTE SUPER	33
HYDRAULIC SYSTEM LEVANTE SUPER	33
FRAME DMK.....	34
TRANSMISSION DMK 90-100-110	34
TRANSMISSION DMK 120-135-150/2.....	35
TRANSMISSION DMK 150/3-180	35
MECHANISMS FLASH	36
FRAME FLASH.....	36
FRAME STONE BURIER KIT FLASH	37
MECHANISMS THUNDER	38
FRAME THUNDER.....	38
MECHANISMS EAGLE	39
MECHANISMS EAGLE	39
MECHANISMS URT HF.....	40
FRAME URT HF	40
MECHANISMS HRA.....	41
FRAME HRA.....	41
MECHANISMS HOLIDAY R	42
FRAME HOLIDAY R	42
MECHANISMS HOLIDAY R	43
MECHANISMS HOLIDAY RS	44

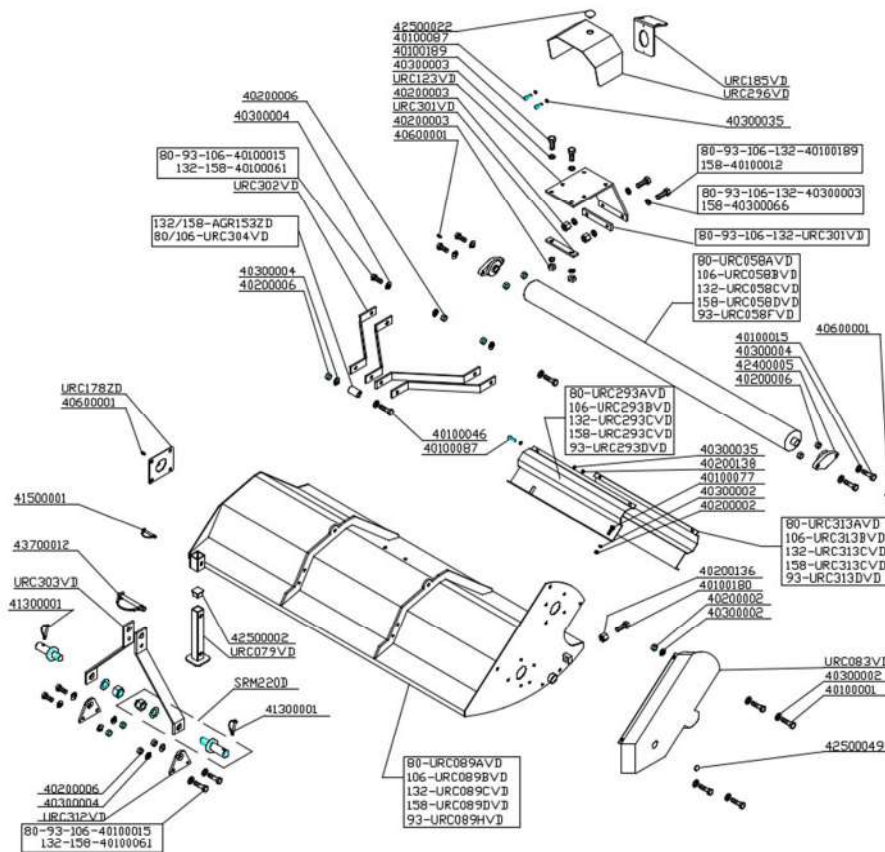
FRAME HOLIDAY RS.....	44
MECHANIC SIDE SHIFT HOLIDAY RS	45
ATTACHMENT EXTENSION KIT	45
MECHANISMS URT ED.....	46
FRAME URT ED.....	46
MECHANISMS YELLOWSTONE	47
FRAME YELLOWSTONE	47
MECHANISMS ROTEX L	48
FRAME ROTEX L	49
LEVELLING BLADE ROTEX L	49
CAGE ROLLER ROTEX L.....	50
WIRE ROLLER ROTEX L	50
MECHANISMS ROTEX 90-110-130-150	51
MECHANISMS ROTEX 170-190.....	51
MECHANISMS ROTEX 230-250.....	52
FRAME ROTEX 90-110-130-150	52
FRAME ROTEX 170-190.....	53
FRAME ROTEX 230-250.....	53
LEVELLING BLADE ROTEX 90-110-130.....	54
LEVELLING BLADE ROTEX 150	54
LEVELLING BLADE ROTEX 170-190-230-250	55
ROLLER LIFT ROTEX 110-130-150-170-210-130-250	55
WIRE ROLLER ROTEX 90-110-130-150-170-190-230-250	56
CAGE ROLLER ROTEX 90-110-130-150-170-190-230-250.....	56
LEVELLING BLADE ROTEX 170-190-230-250	57
ROLLER LIFT ROTEX 110-130-150-170-210-130-250	57
MECHANISMS-FRAME ET 100.....	58
MECHANISMS PRM.....	59
FRAME PRM	59
MECHANISMS XRM	60
FRAME XRM	60
XRM HARD RUBBER AND PNEUMATIC TIRE WHEEL CARRIER.....	61
PRM HARD RUBBER AND PNEUMATIC TIRE WHEEL CARRIER.....	61
WHEEL COMPONENTS.....	62
FRONT ROLLER COMPONENTS.....	64
PRM-XRM WITH EXTENSIONS FRAME.....	64

REAR - FRONT FINISHING MOWER TRANSFORMATION KIT	65
PRM CENTRAL LUBRICATION KIT	66
XRM CENTRAL LUBRICATION KIT	66
PRM MULCHING KIT.....	67
XRM MULCHING KIT.....	67
MECHANISMS SCUTUM	68
FRAME SCUTUM	68
KIT PTO SCUTUM	69
KIT ENGINE SCUTUM.....	69
MECHANISMS SCORPION.....	70
MACHINE BODY SCORPION.....	70
HOPPER – EJECTION TUBE – III POINT SCORPION	71
HYDRAULIC SYSTEM SCORPION	71
MAIN FRAME COMPONENTS RES 10	72
MAIN FRAME COMPONENTS RES 15-20	72
MAIN FRAME COMPONENTS RES 30	73
ROTATION GROUP COMPONENTS RES 15-20.....	74
ROTATION GROUP COMPONENTS RES 30	74
ARMS COMPONENTS RES 10	75
ARMS COMPONENTS RES 15	75
ARMS COMPONENTS RES 20	76
ARMS COMPONENTS RES 30	76
HYDRAULIC SYSTEM RES 10	77
HYDRAULIC SYSTEM RES 15	77
HYDRAULIC SYSTEM RES 20	78
HYDRAULIC SYSTEM RES 30	78
SPARE PARTS BEN 100	79
SPARE PARTS BEN 120	79
SPARE PARTS BEN 150	80

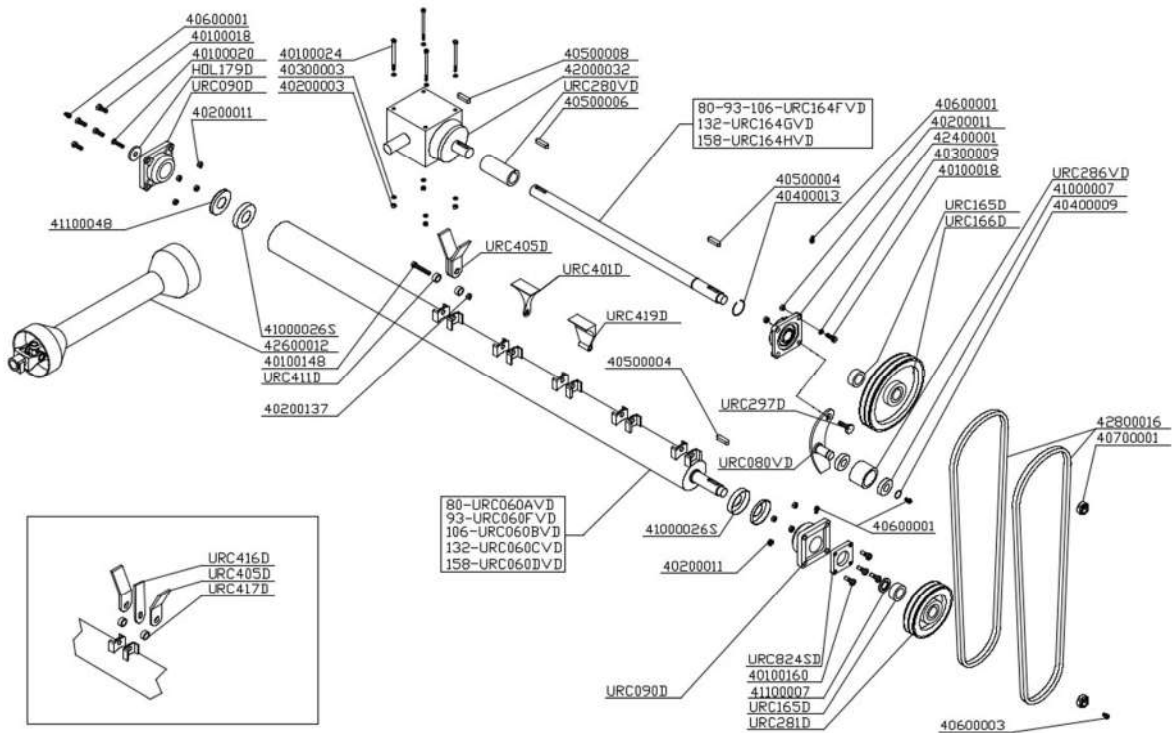
MECHANISMS FUNNY



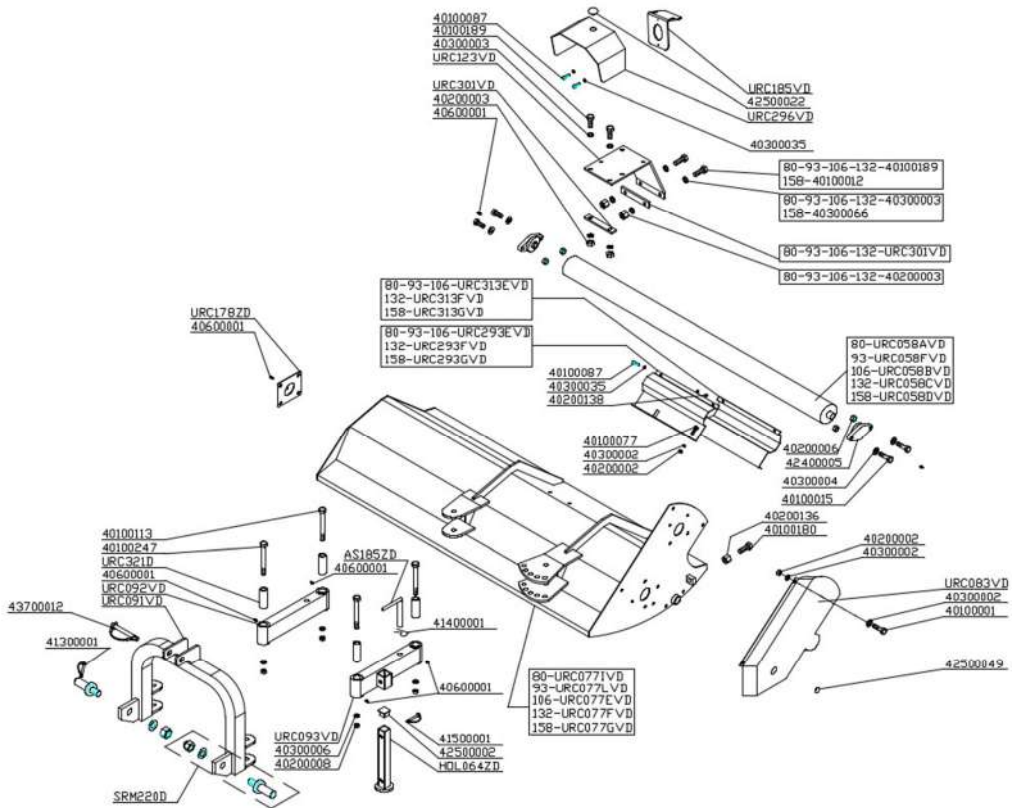
FRAME FUNNY



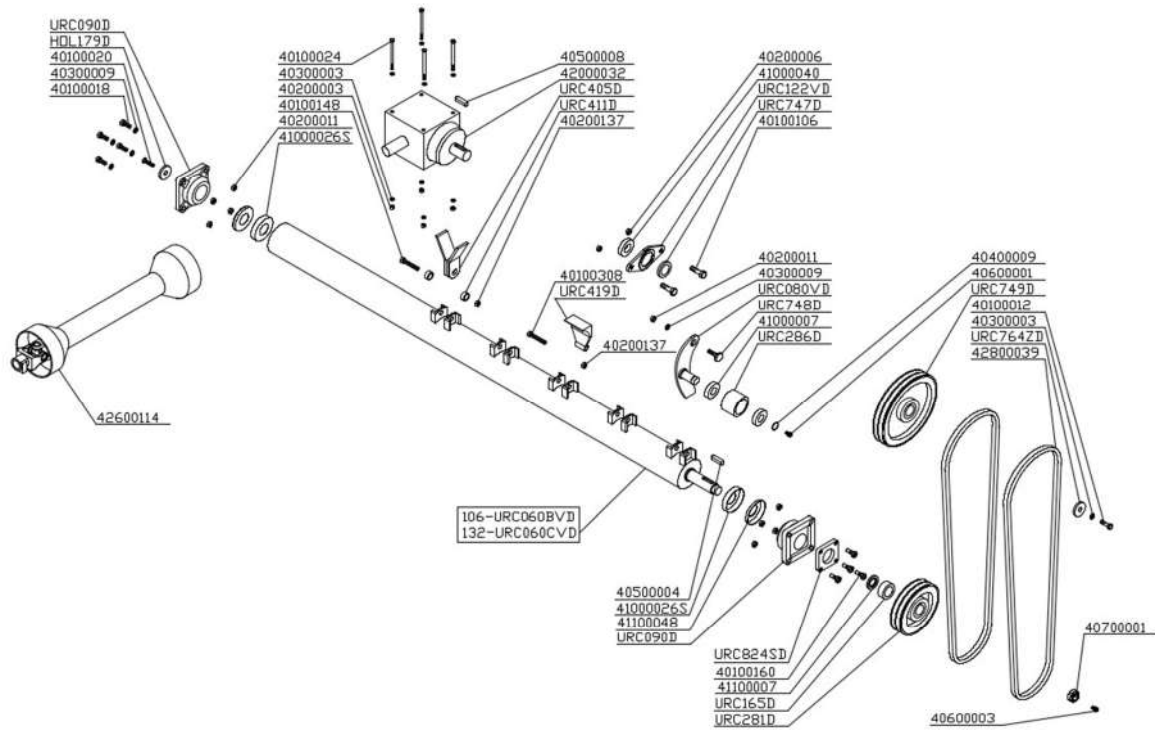
MECHANISMS FUNNY TOP



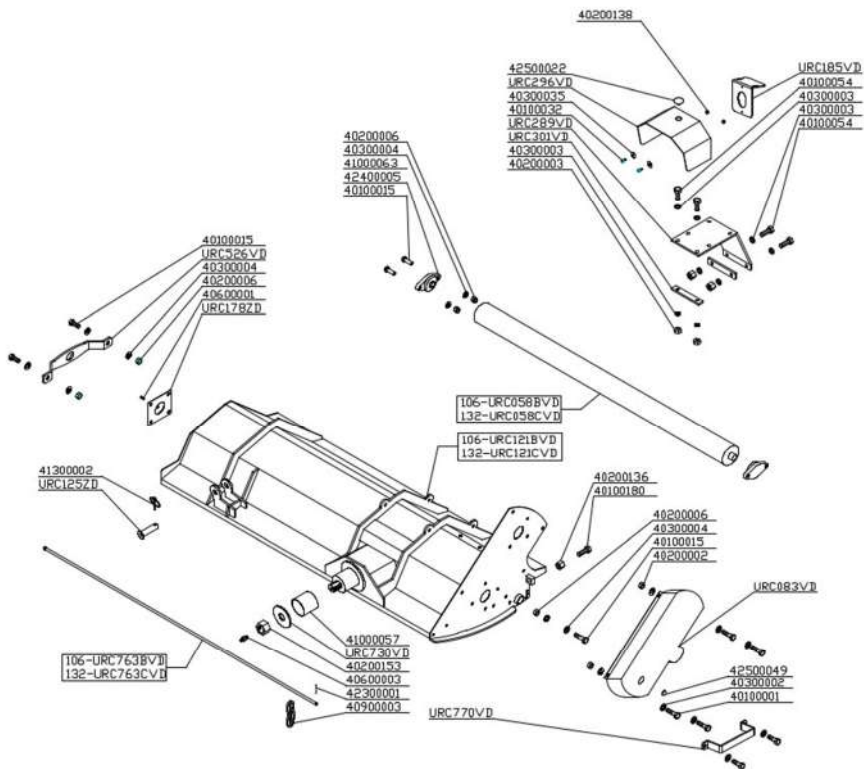
FRAME FUNNY TOP



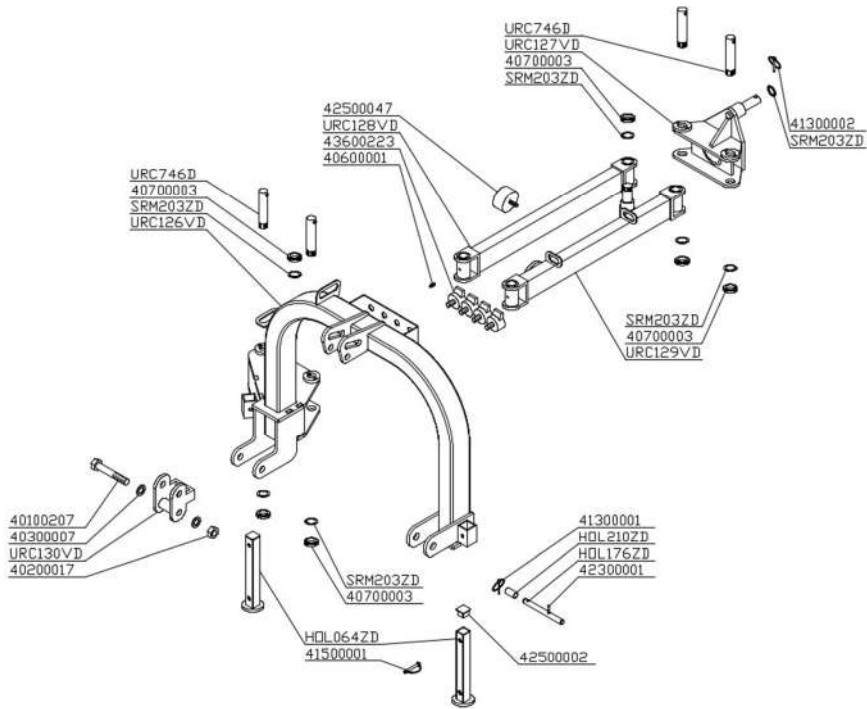
MECHANISMS FUNNY SUPER



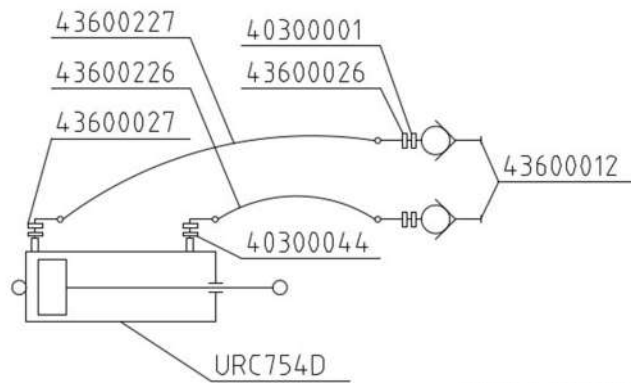
FRAME FUNNY SUPER



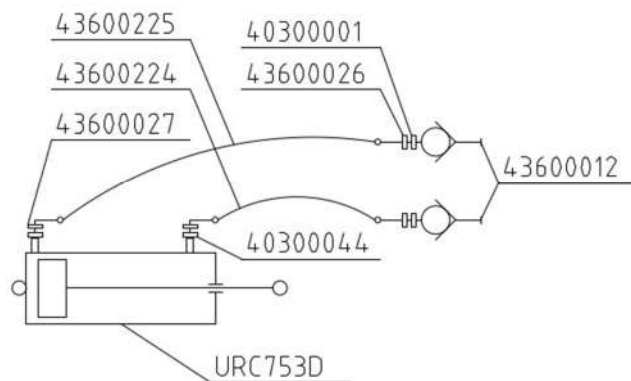
III POINT FUNNY SUPER



HYDRAULIC SYSTEM FUNNY SUPER

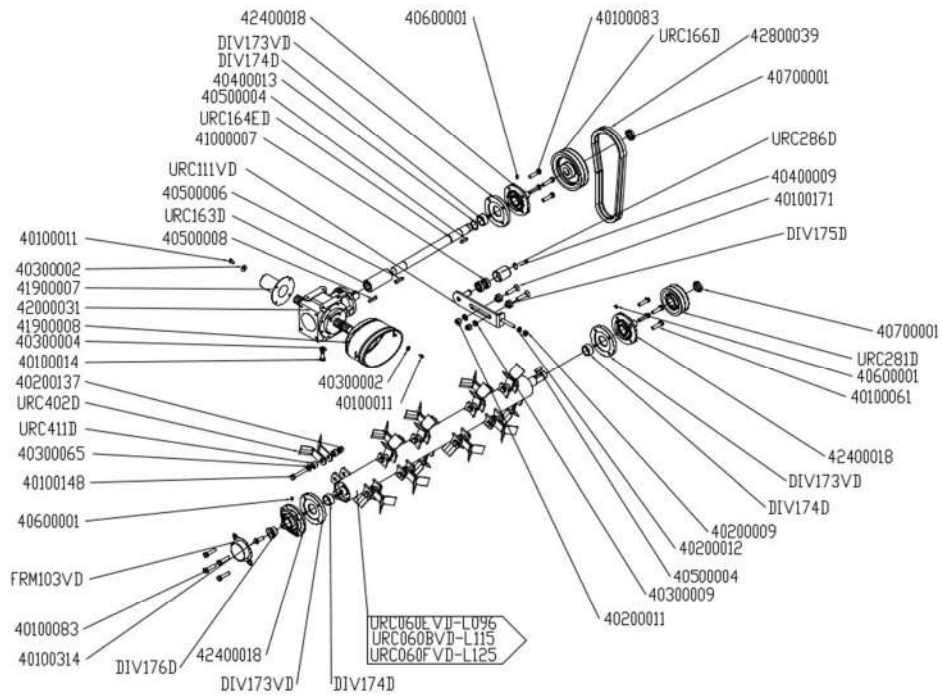


TRASLAZIONE

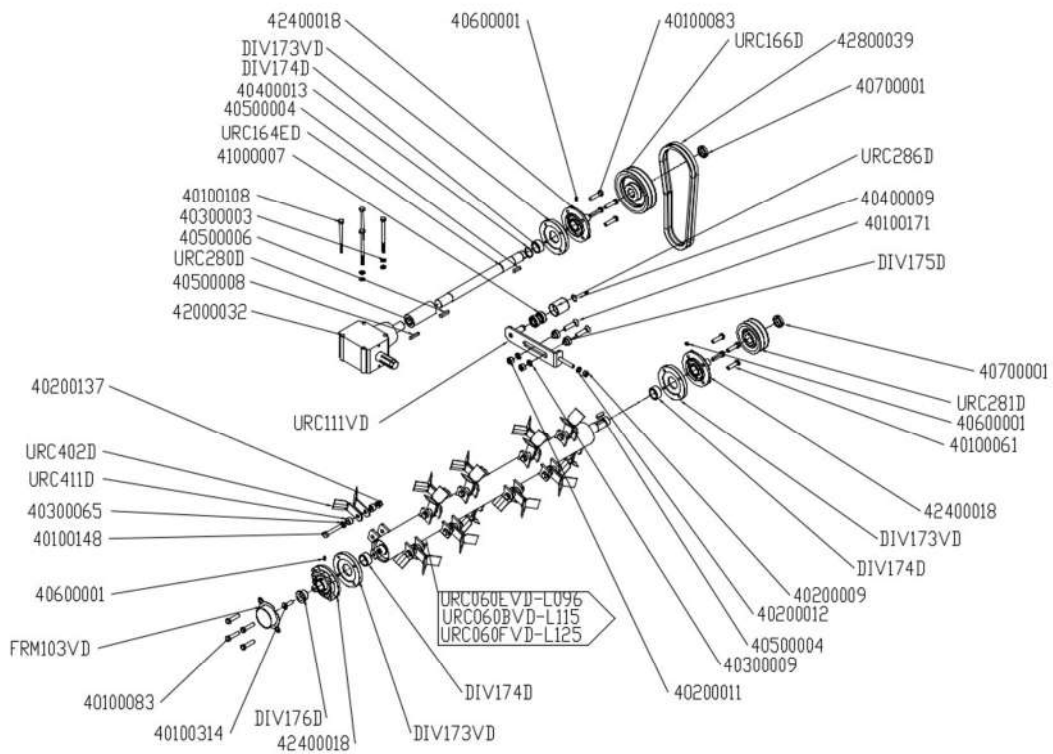


ROTAZIONE

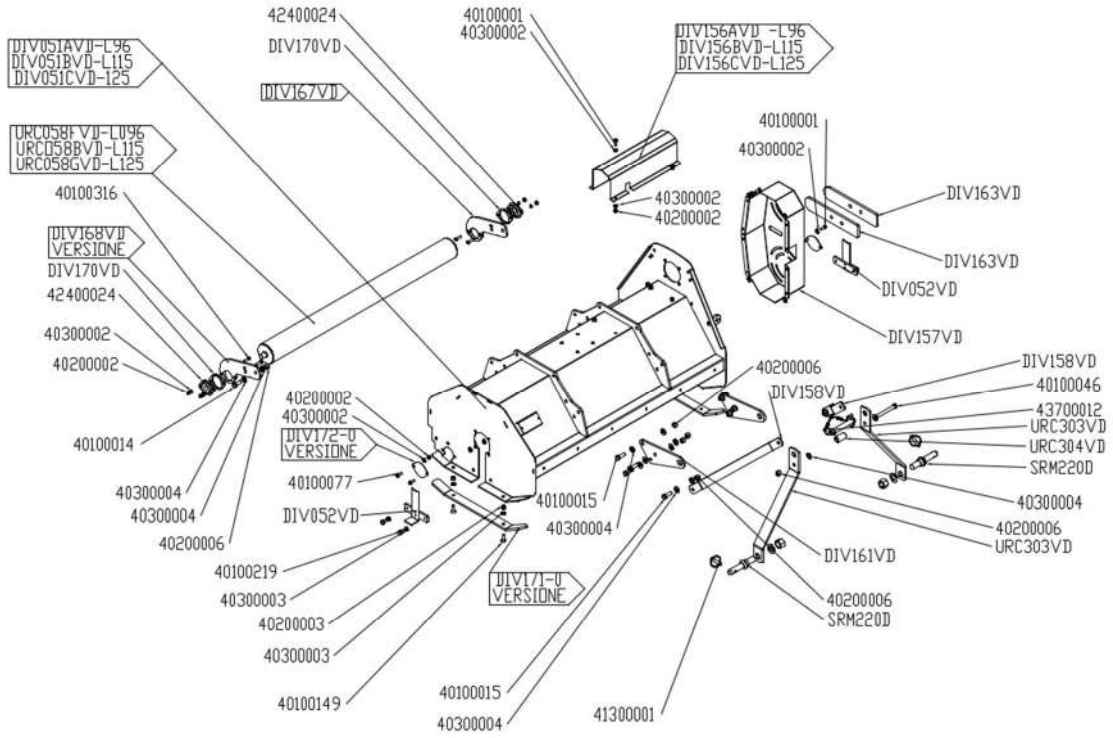
MECHANISMS DISCO – CAST IRON GEARBOX



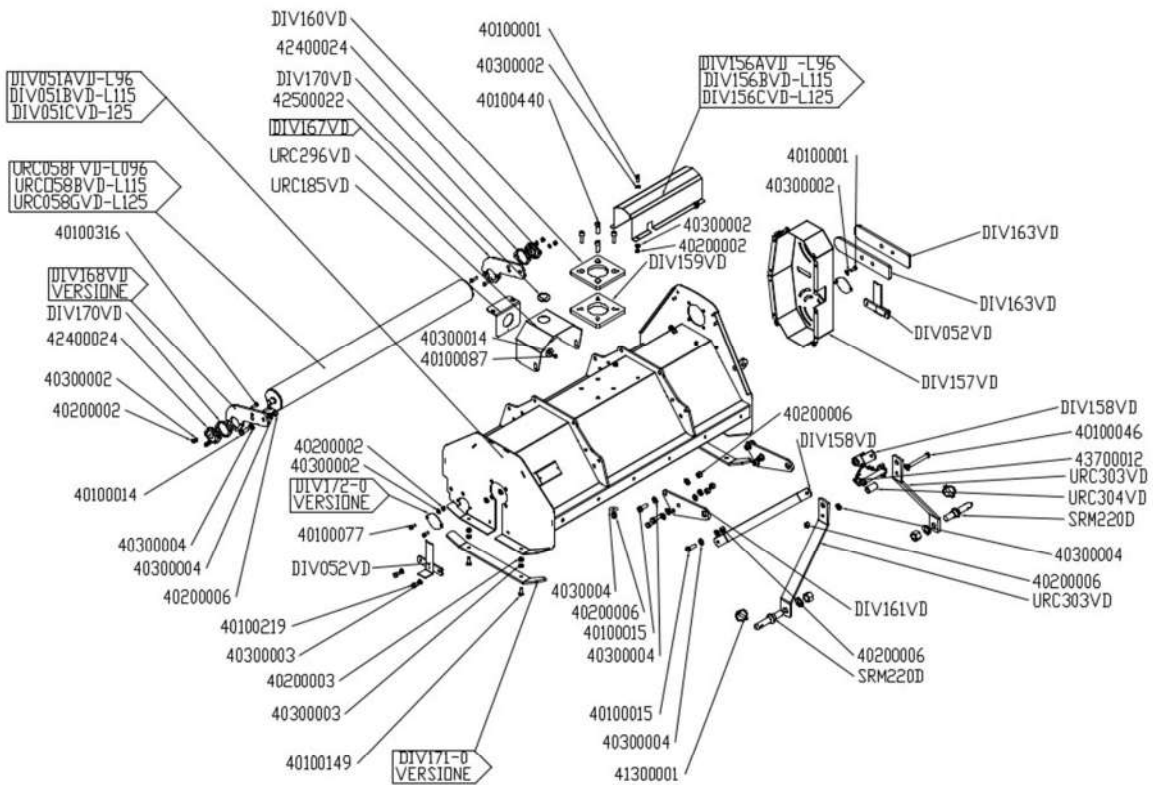
MECHANISMS DISCO – ALUMINIUM GEARBOX



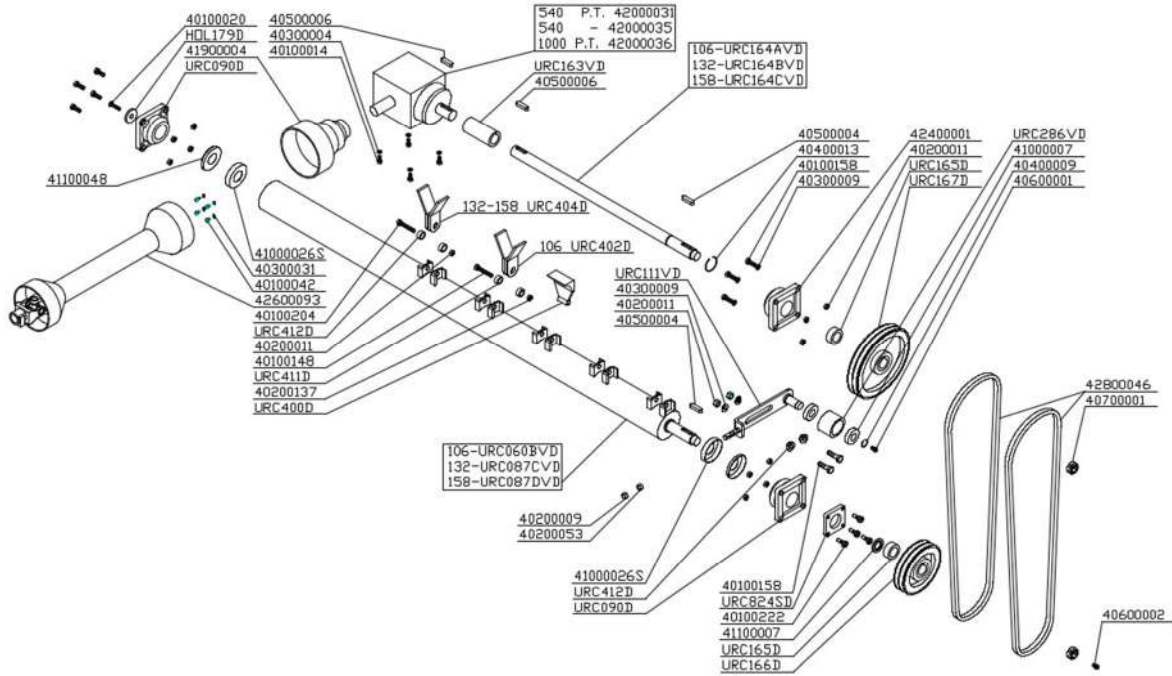
FRAME DISCO – CAST IRON GEARBOX



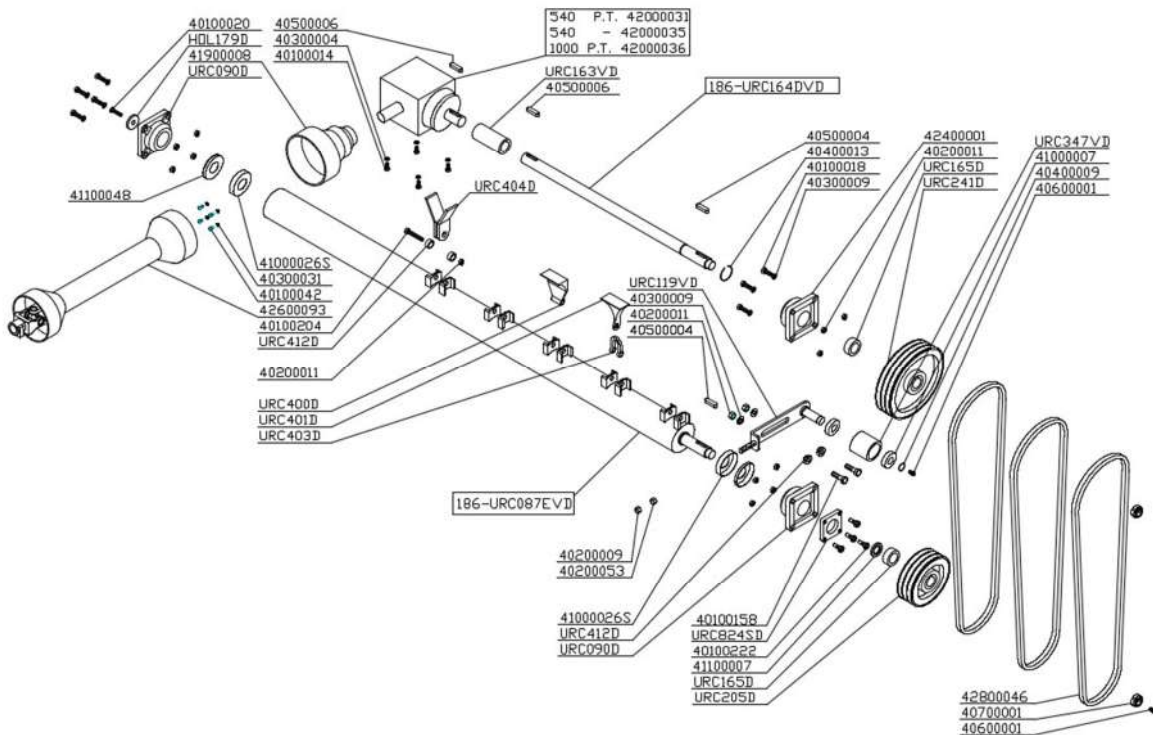
FRAME DISCO – ALUMINIUM GEARBOX



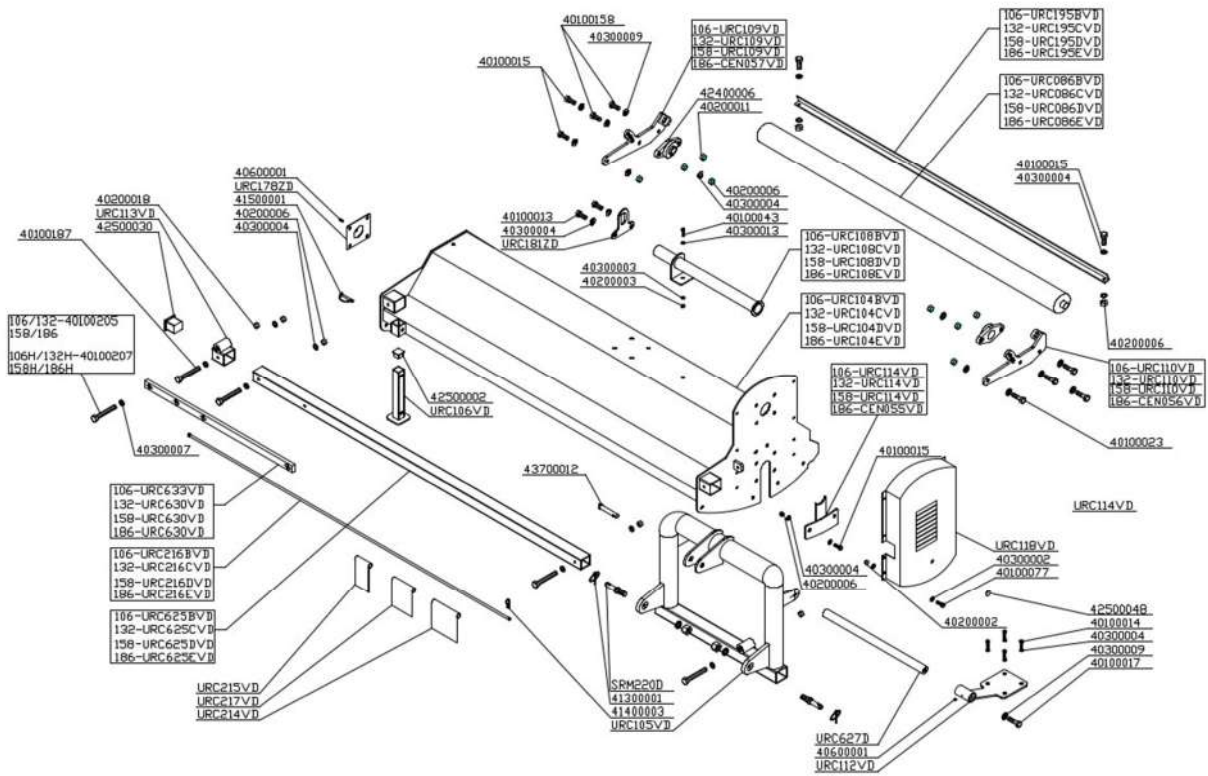
MECHANISMS CENTURION 106-132-158



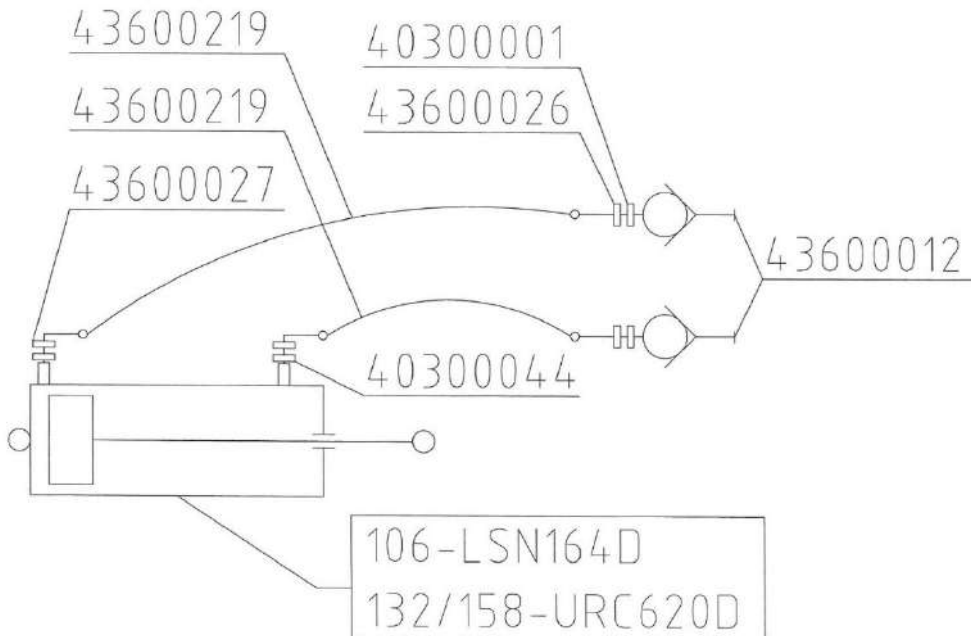
MECHANISMS CENTURION 186



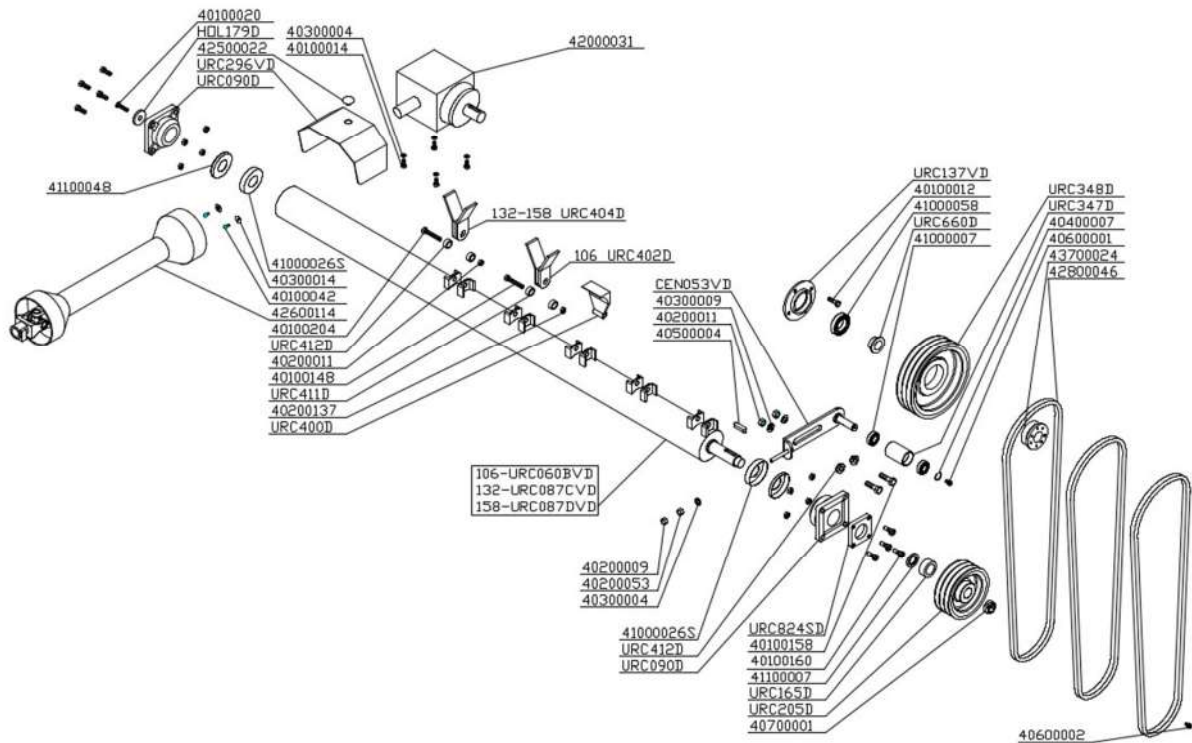
FRAME CENTURION 106-132-158-186



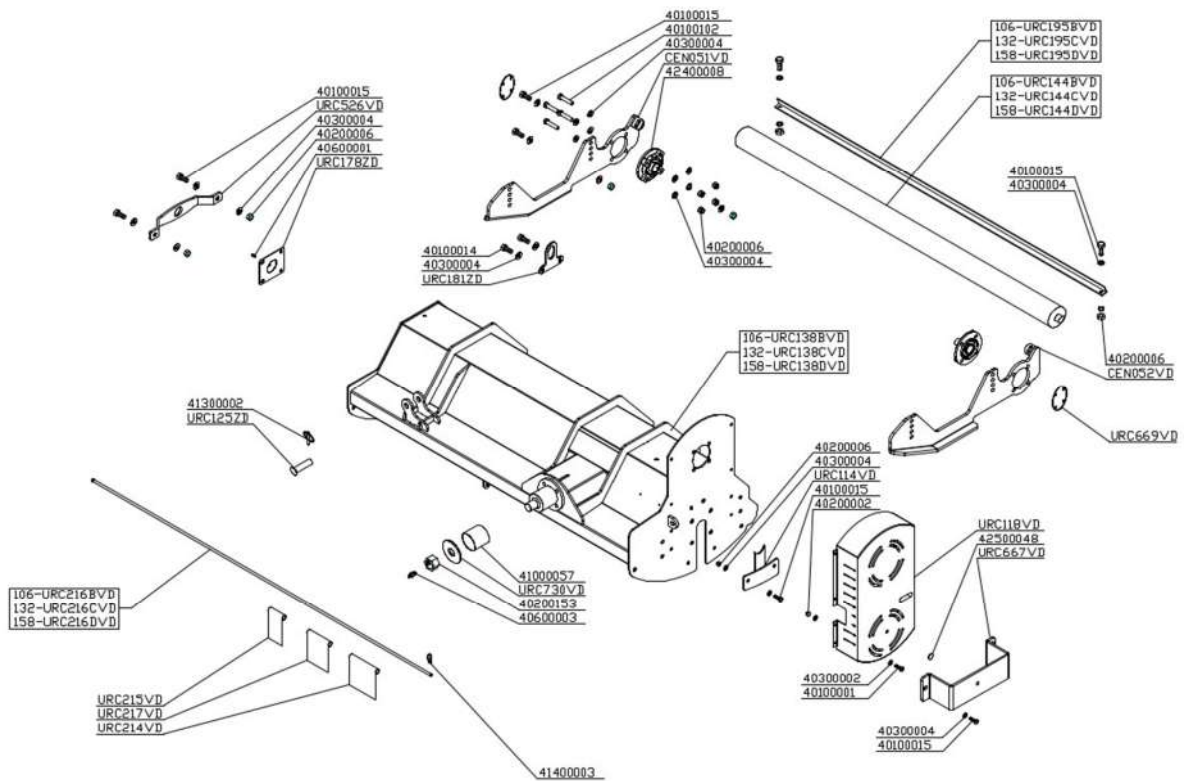
HYDRAULIC SYSTEM CENTURION



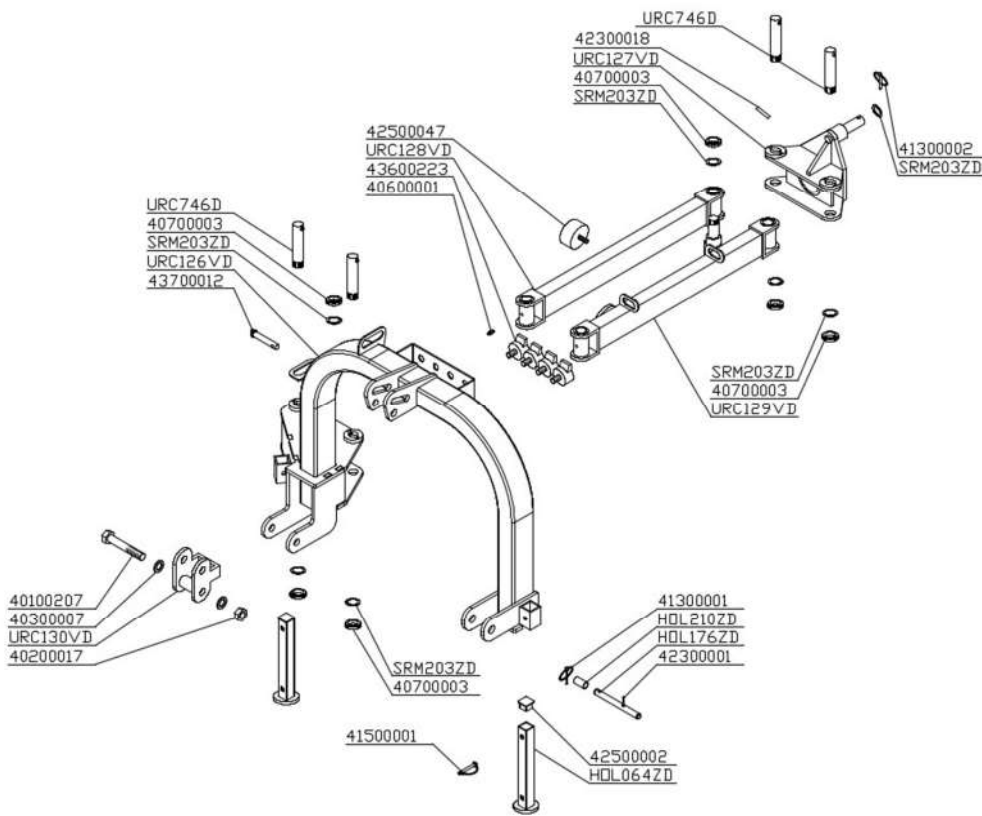
MECHANISMS CENTURION SUPER



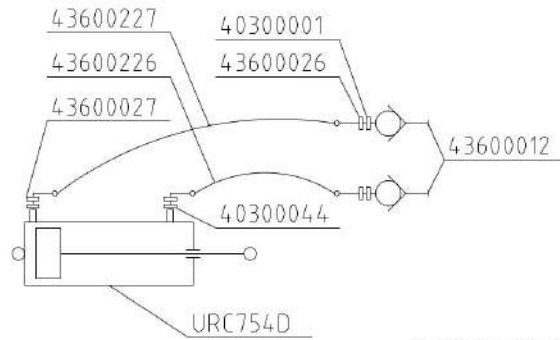
FRAME CENTURION SUPER



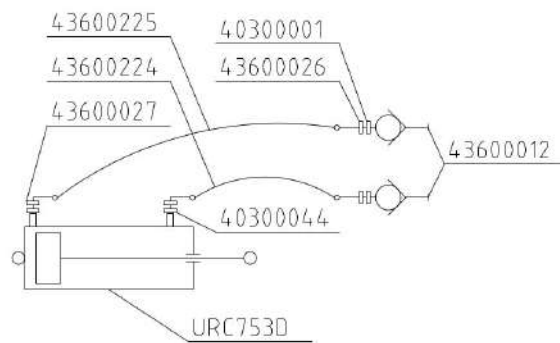
III POINT CENTURION SUPER



HYDRAULIC SYSTEM CENTURION SUPER

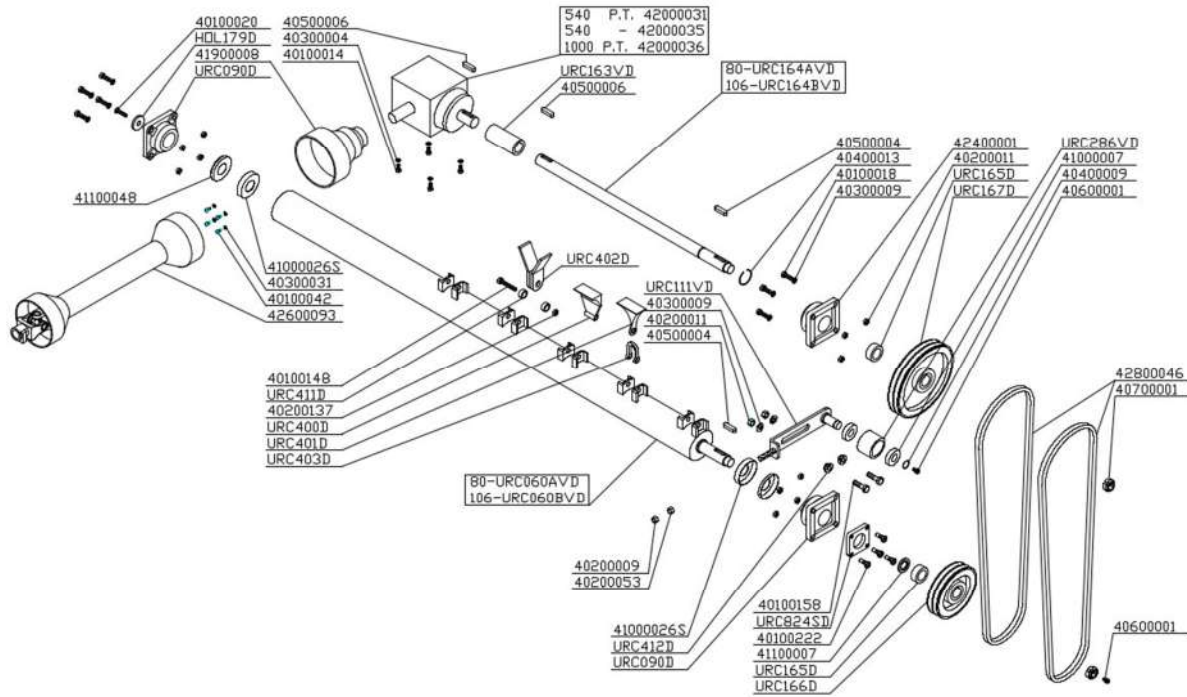


TRASLAZIONE

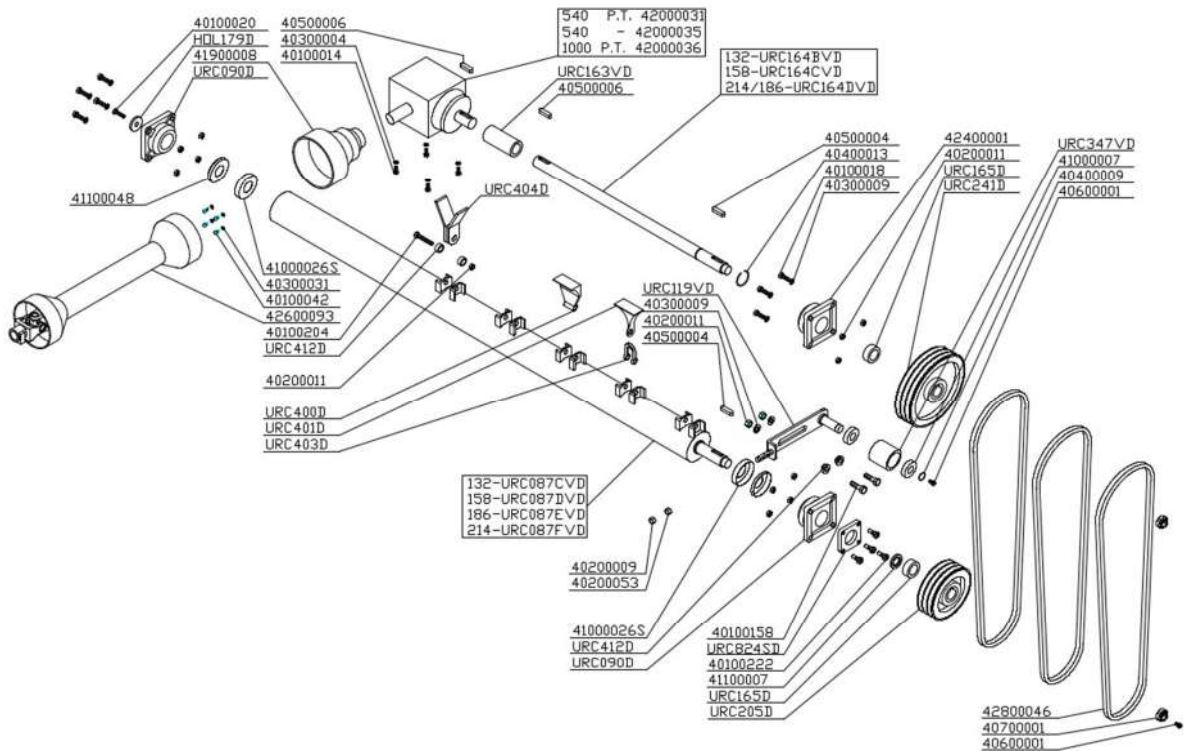


ROTAZIONE

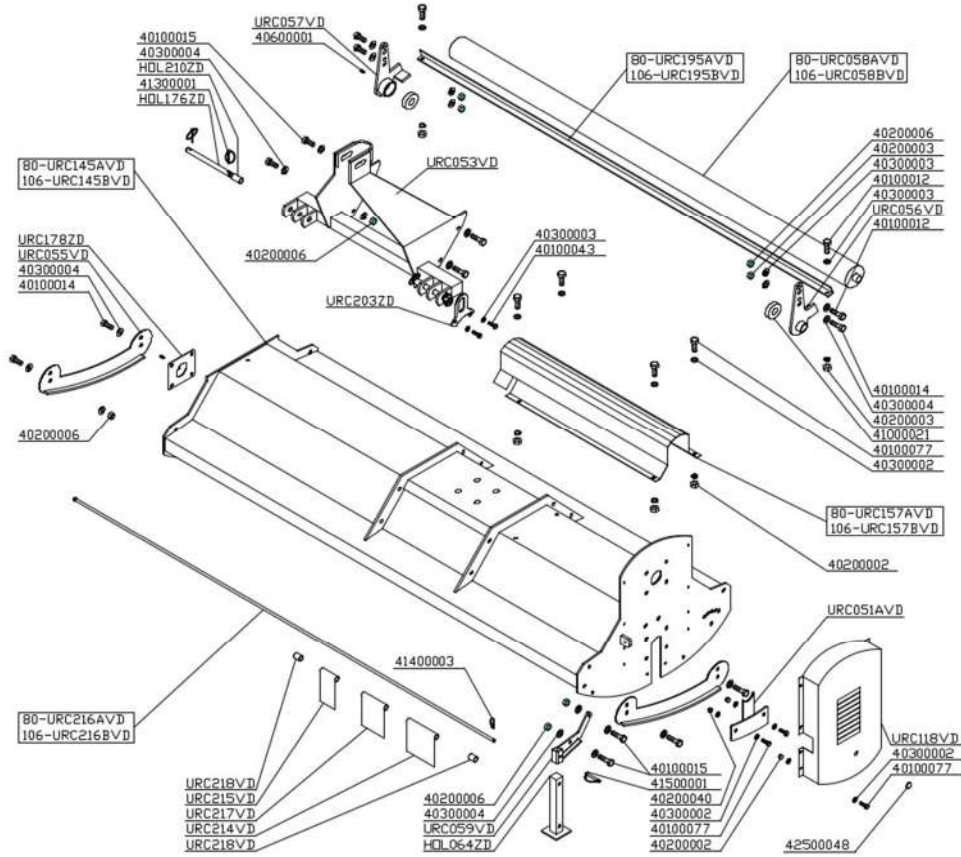
MECHANISMS FLIPPER 80-106



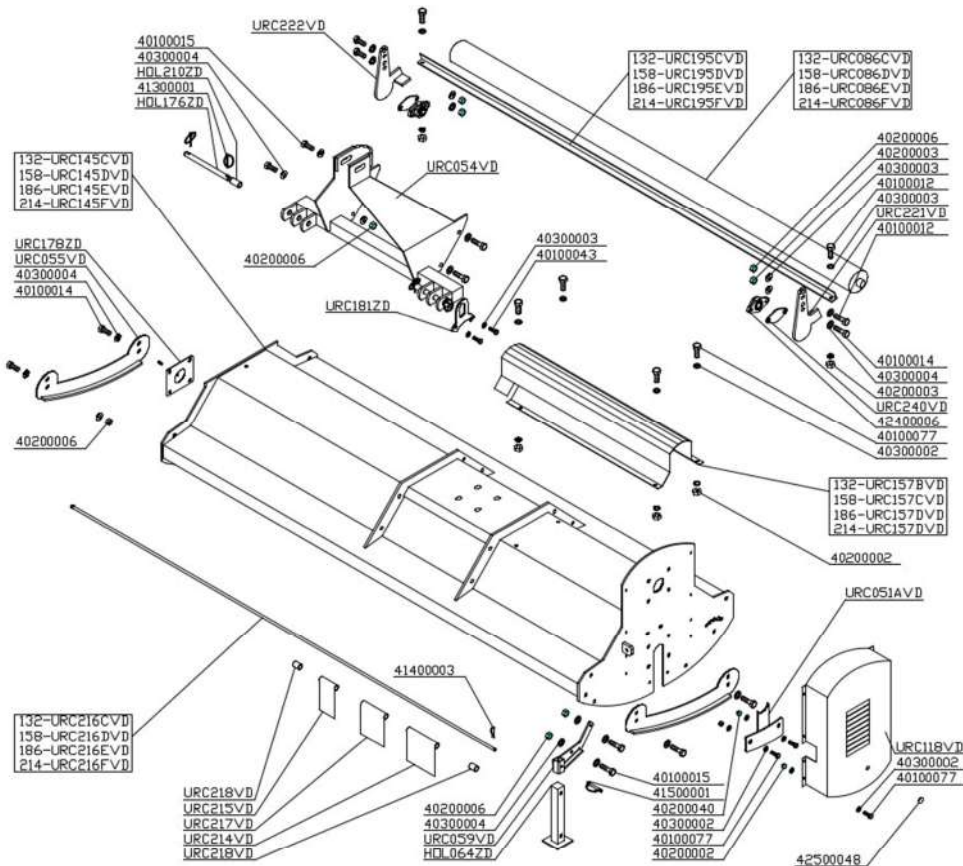
MECHANISMS FLIPPER 132-158-186-214



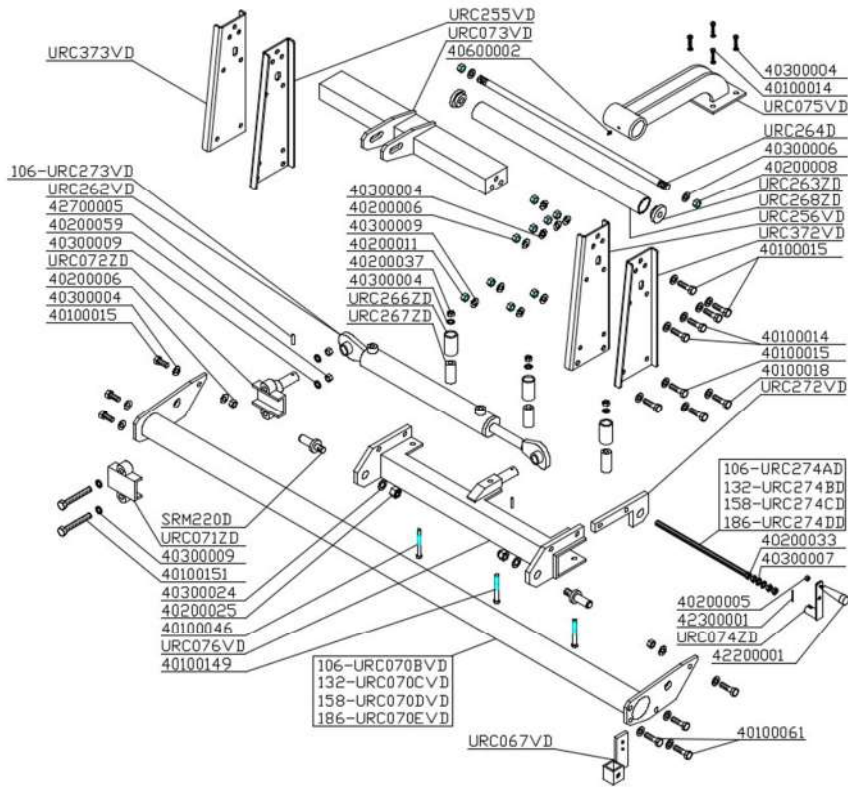
FRAME FLIPPER 80-106



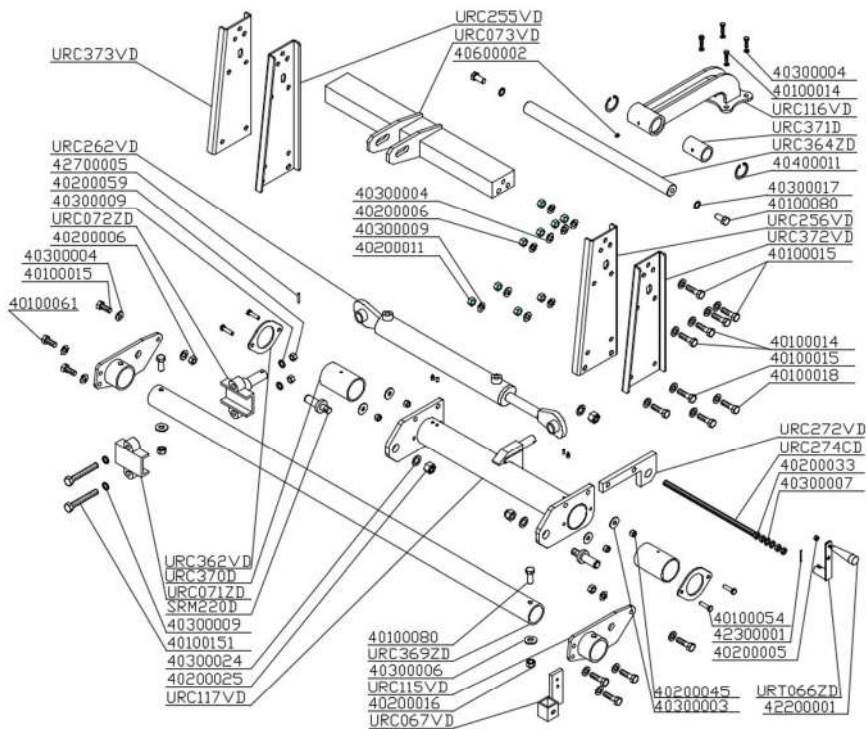
FRAME FLIPPER 132-158-186-214



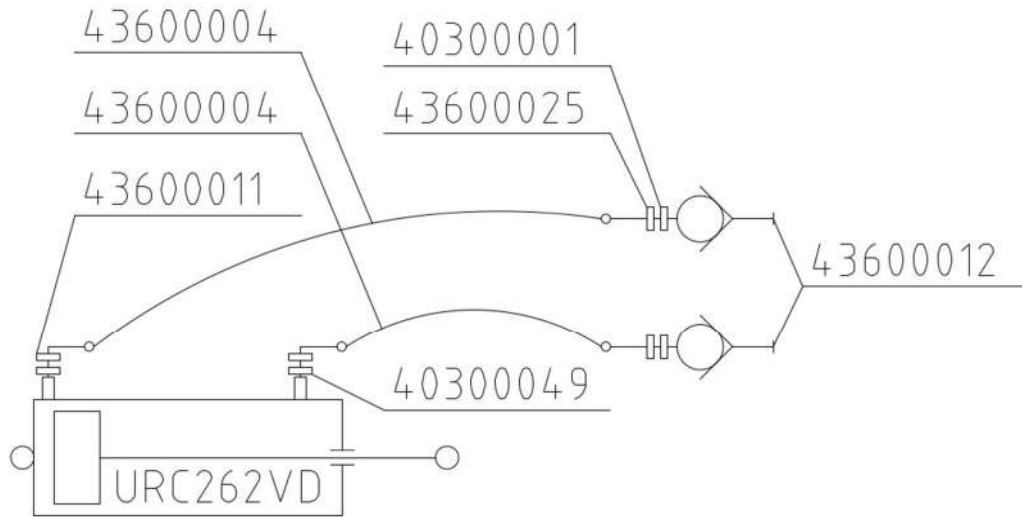
HYDRAULIC/MECHANIC SIDE SHIFT KIT FLIPPER 106-132-158-186



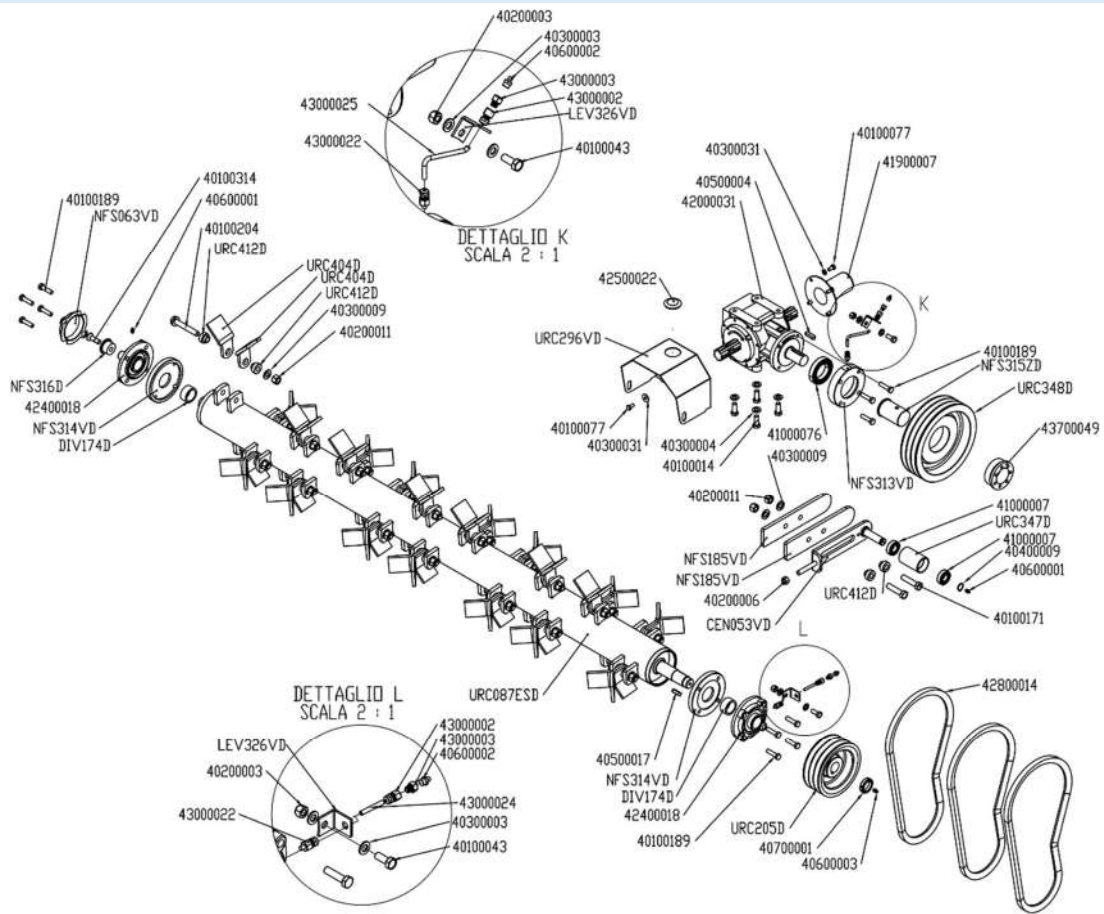
HYDRAULIC/MECHANIC SIDE SHIFT KIT FLIPPER 214



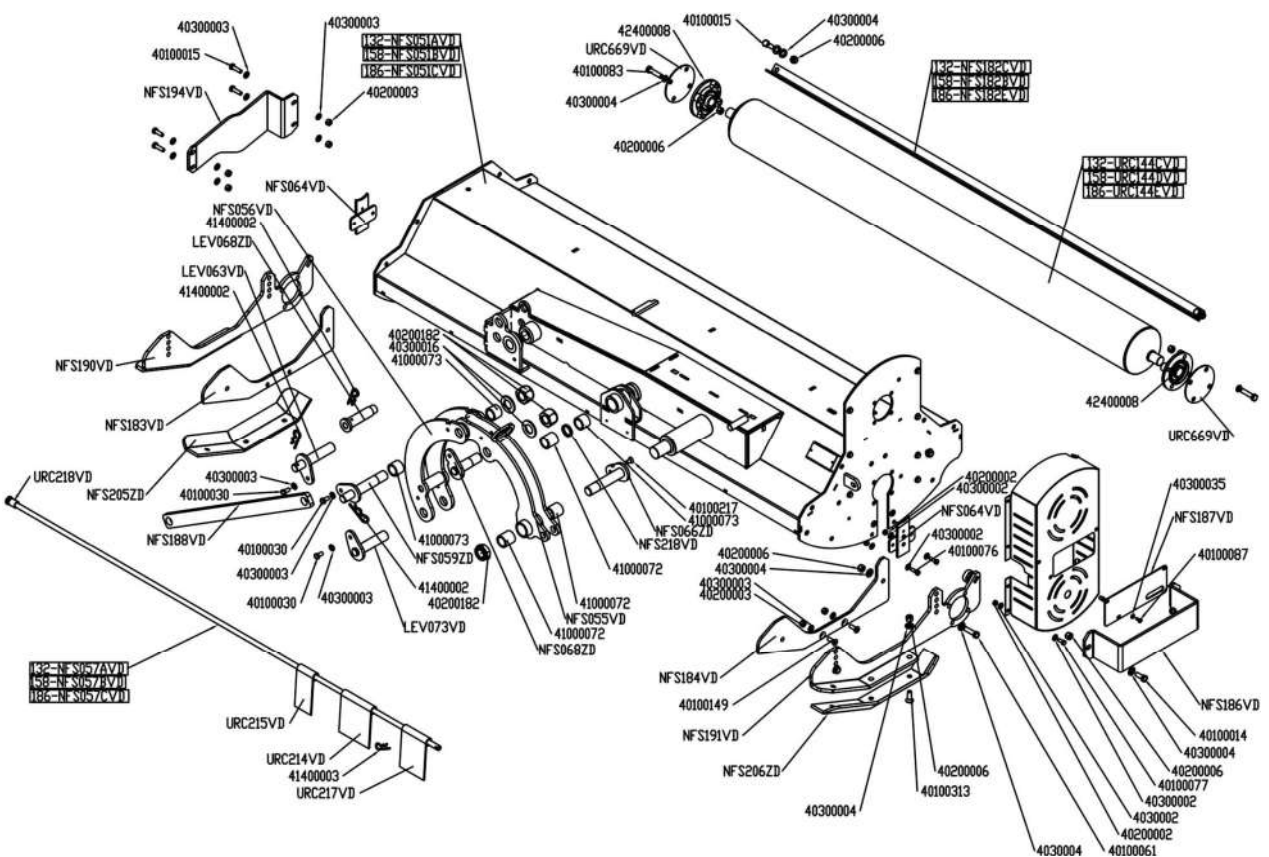
HYDRAULIC SYSTEM FLIPPER



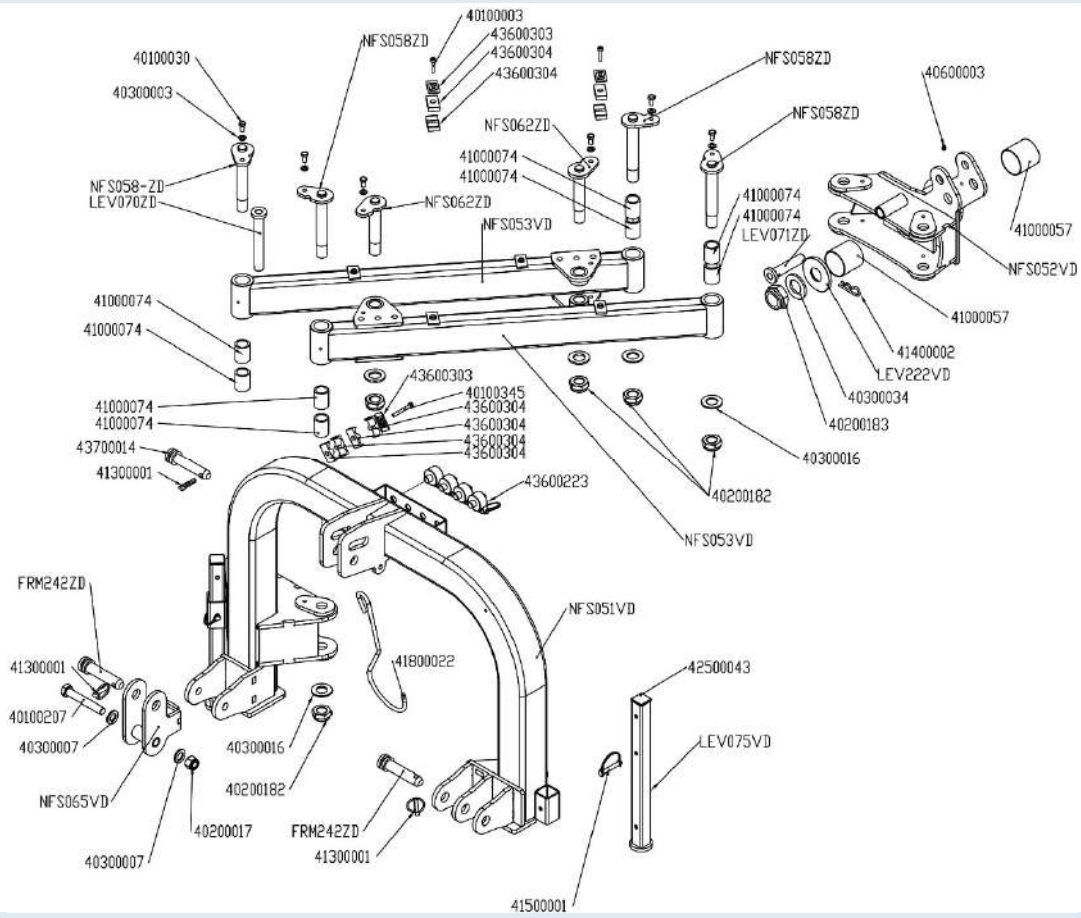
MECHANISMS FLIPPER SUPER



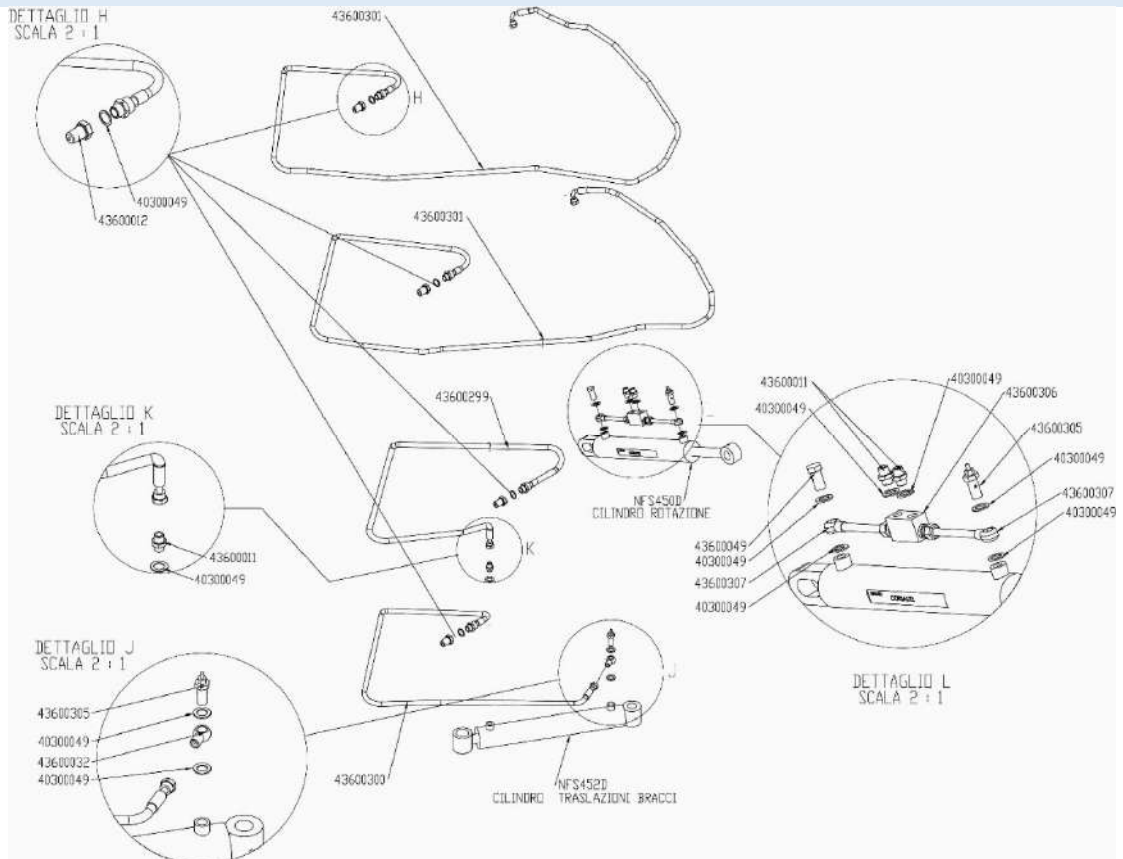
FRAME FLIPPER SUPER



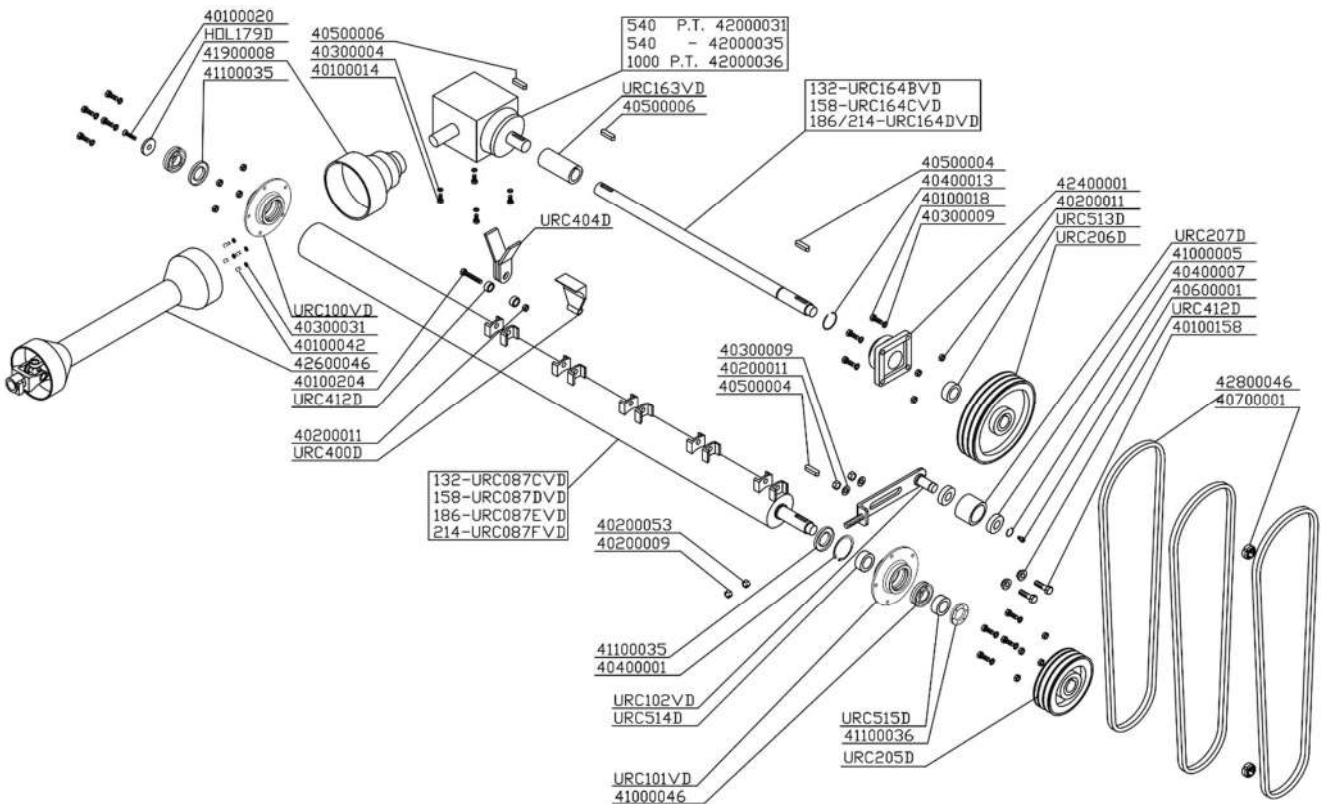
III POINT FLIPPER SUPER



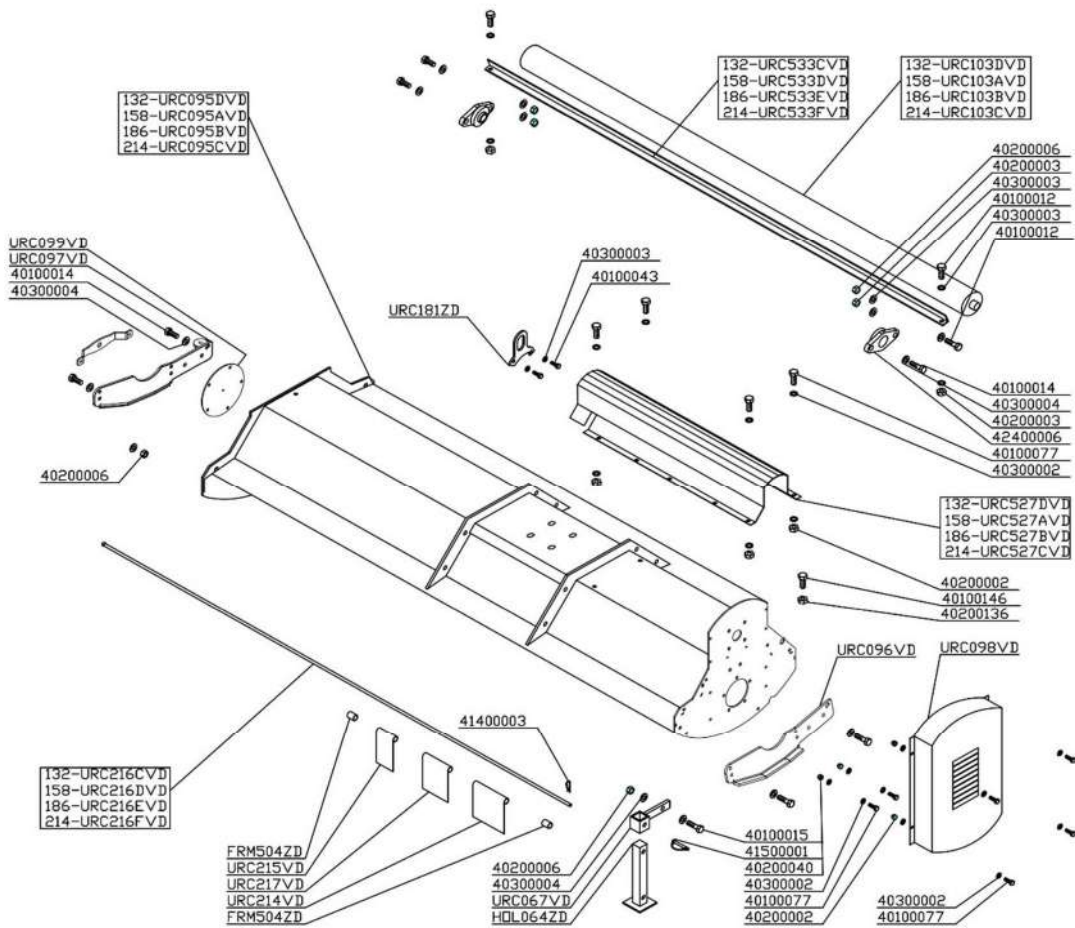
HYDRAULIC SYSTEM FLIPPER SUPER



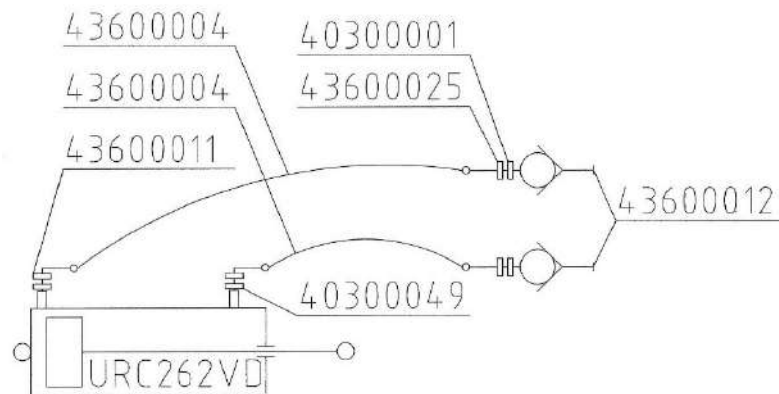
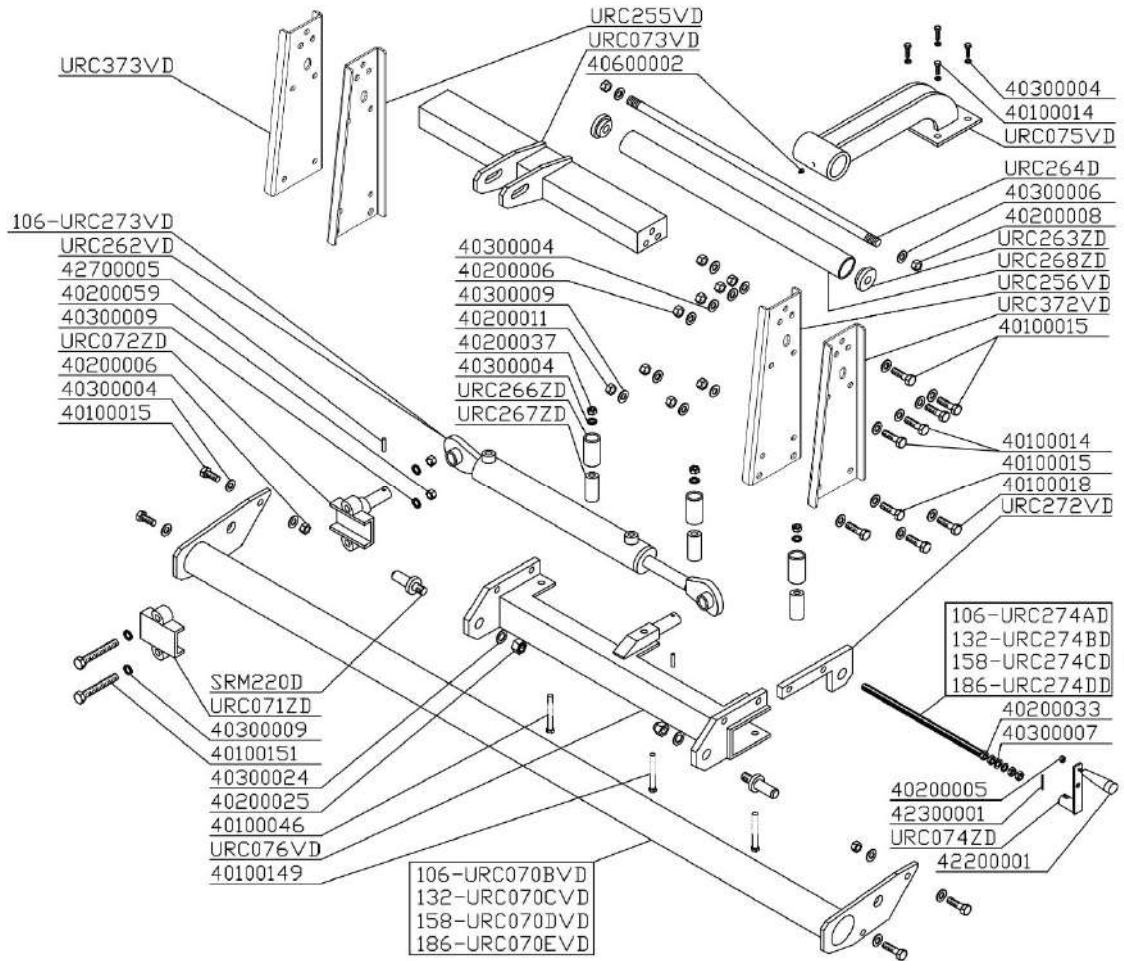
MECHANISMS FARM



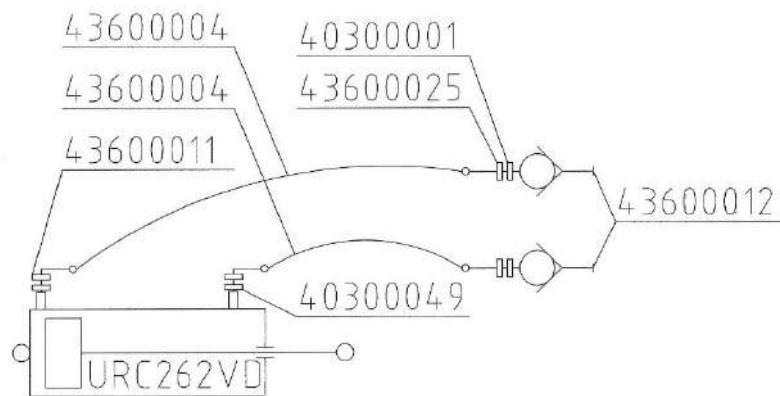
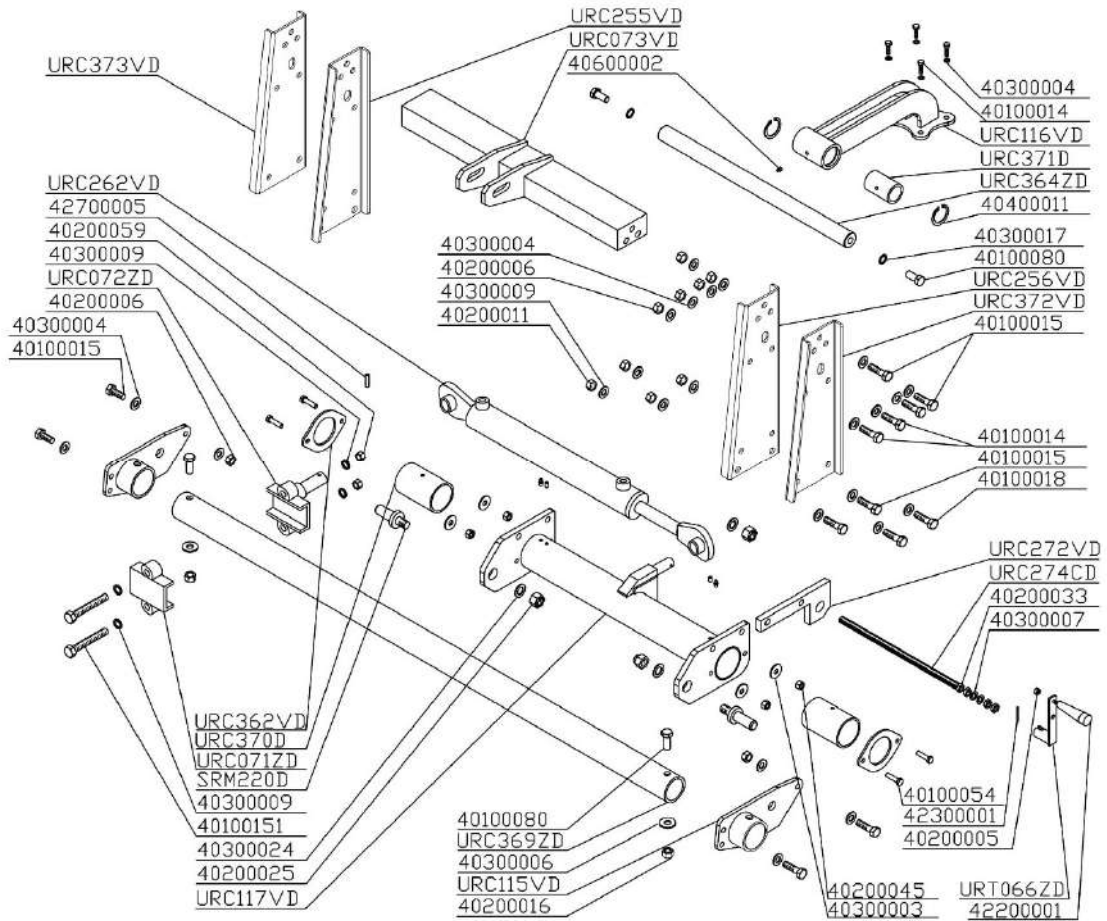
FRAME FARM



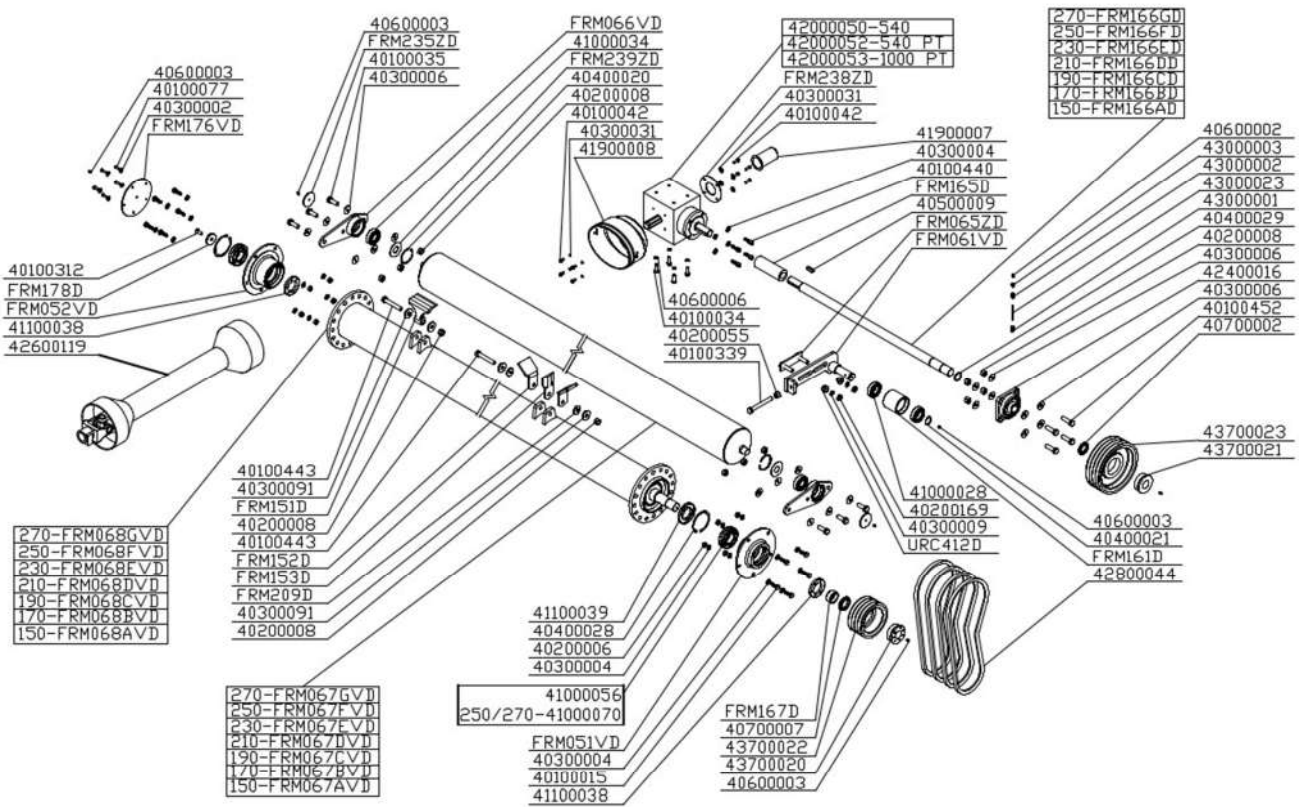
HYDRAULIC/MECHANIC SIDE SHIFT OPTION FARM 132-158-186



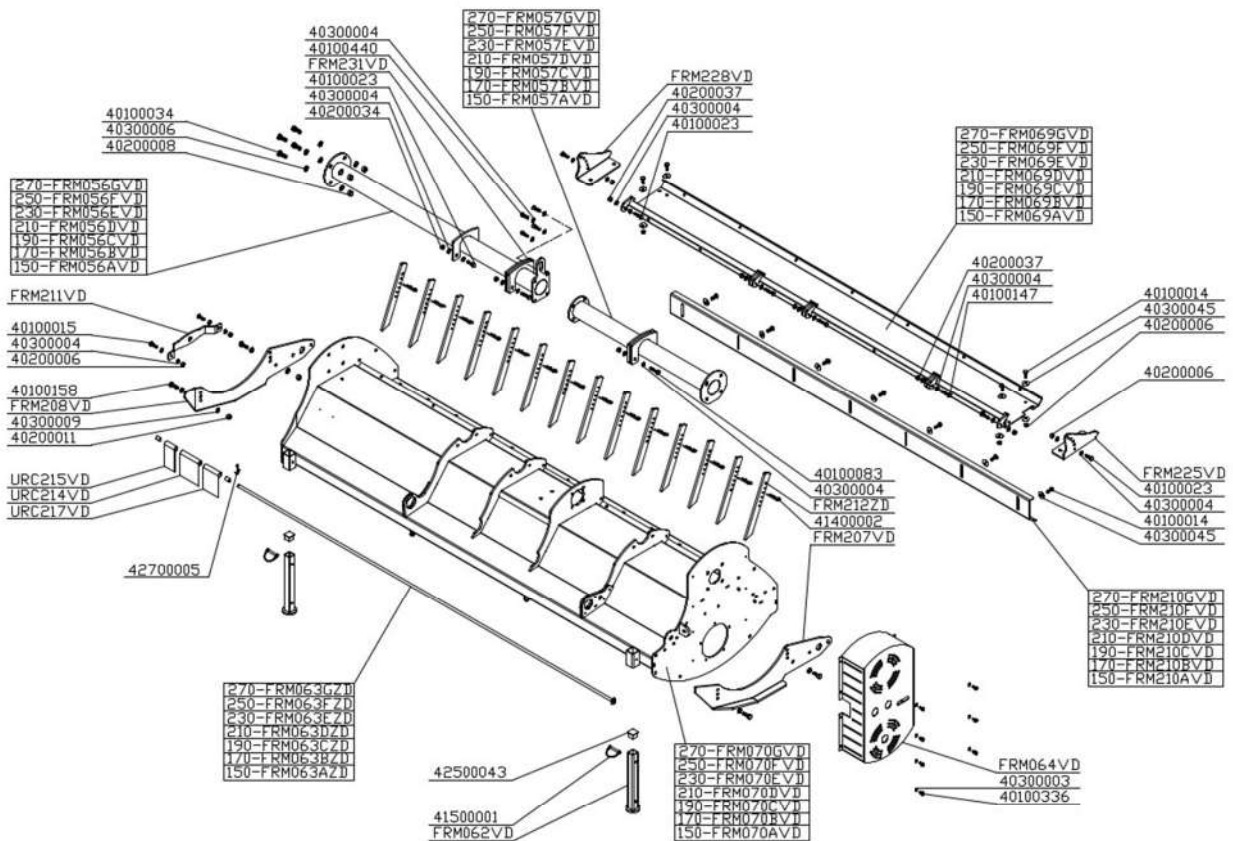
HYDRAULIC/MECHANIC SIDE SHIFT OPTION FARM 214



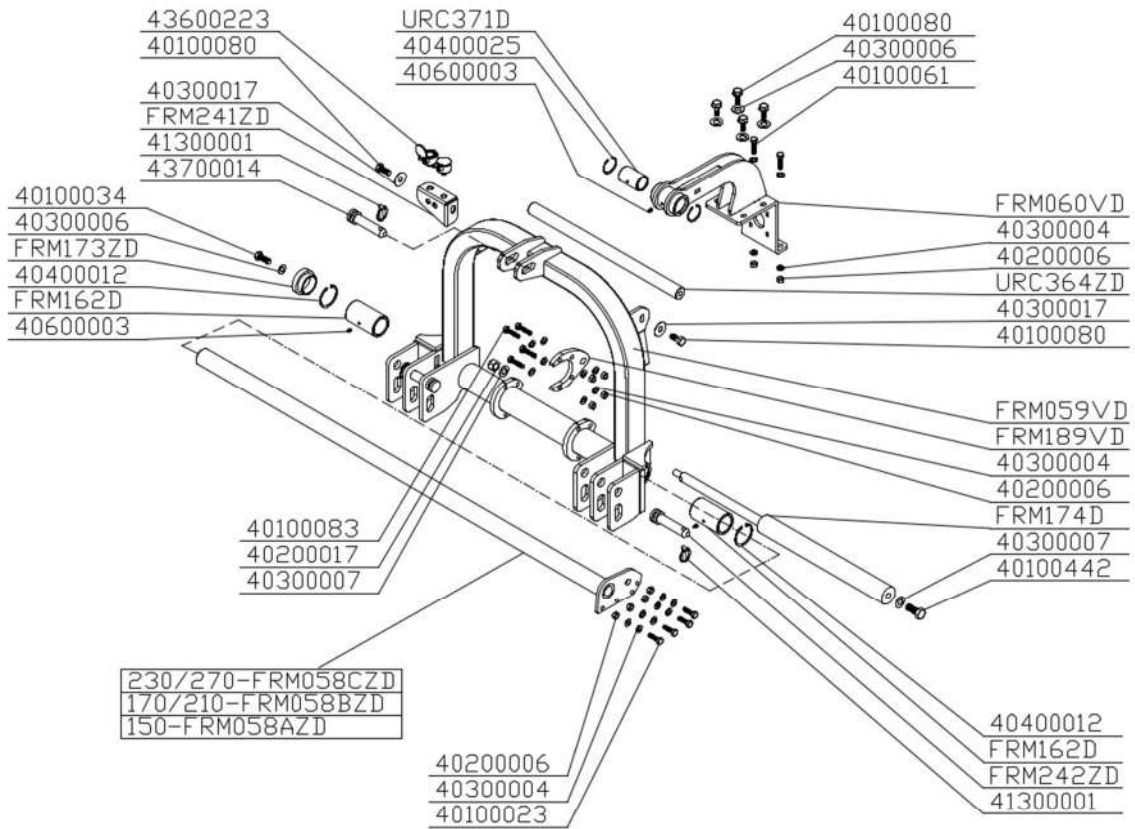
MECHANISMS VICTOR



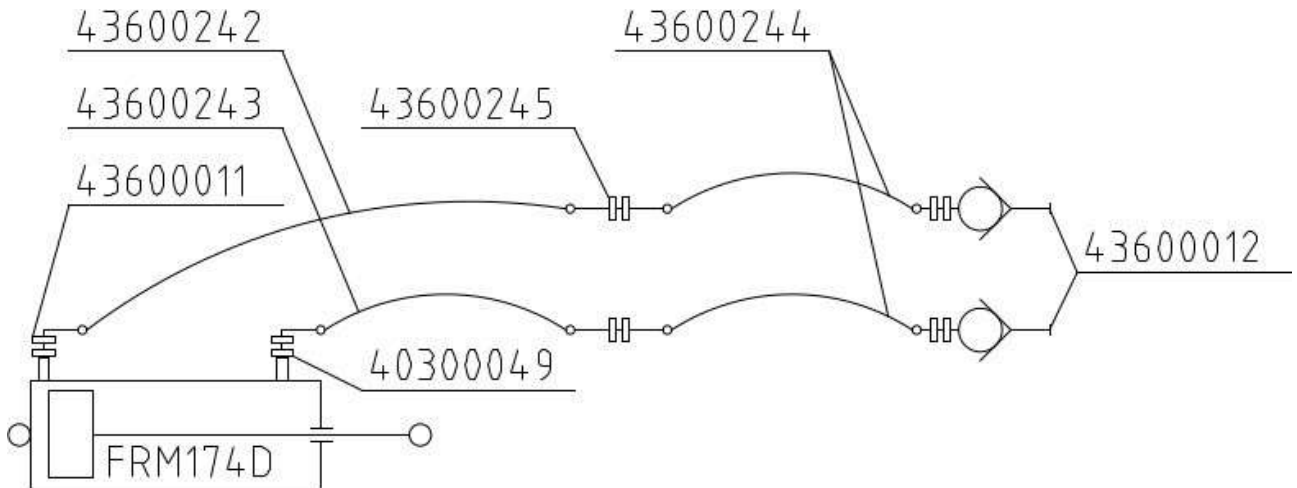
FRAME VICTOR



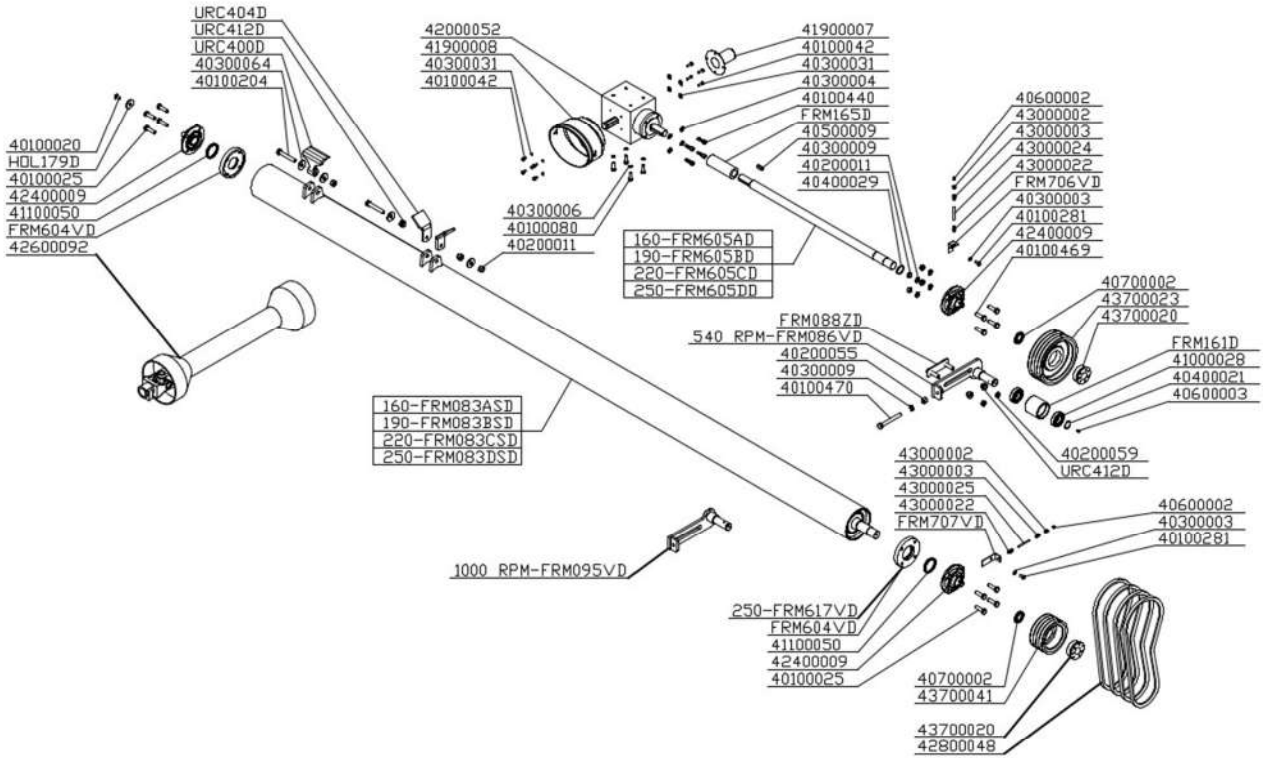
III POINT VICTOR



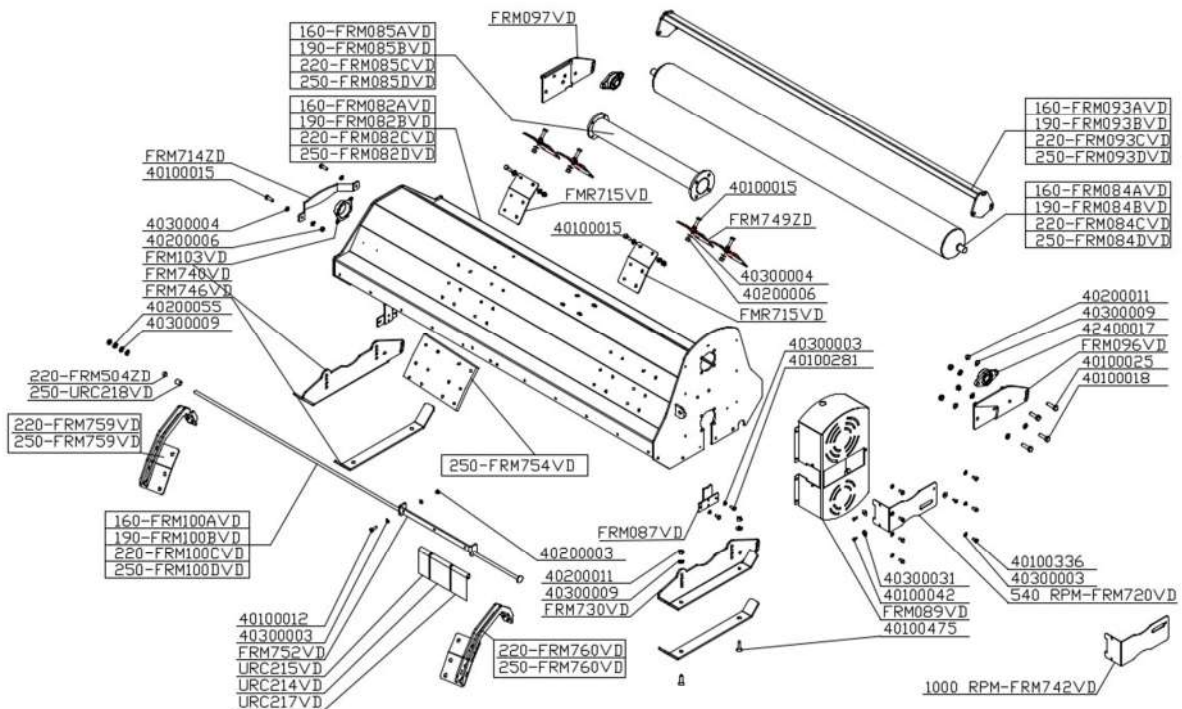
HYDRAULIC SYSTEM VICTOR



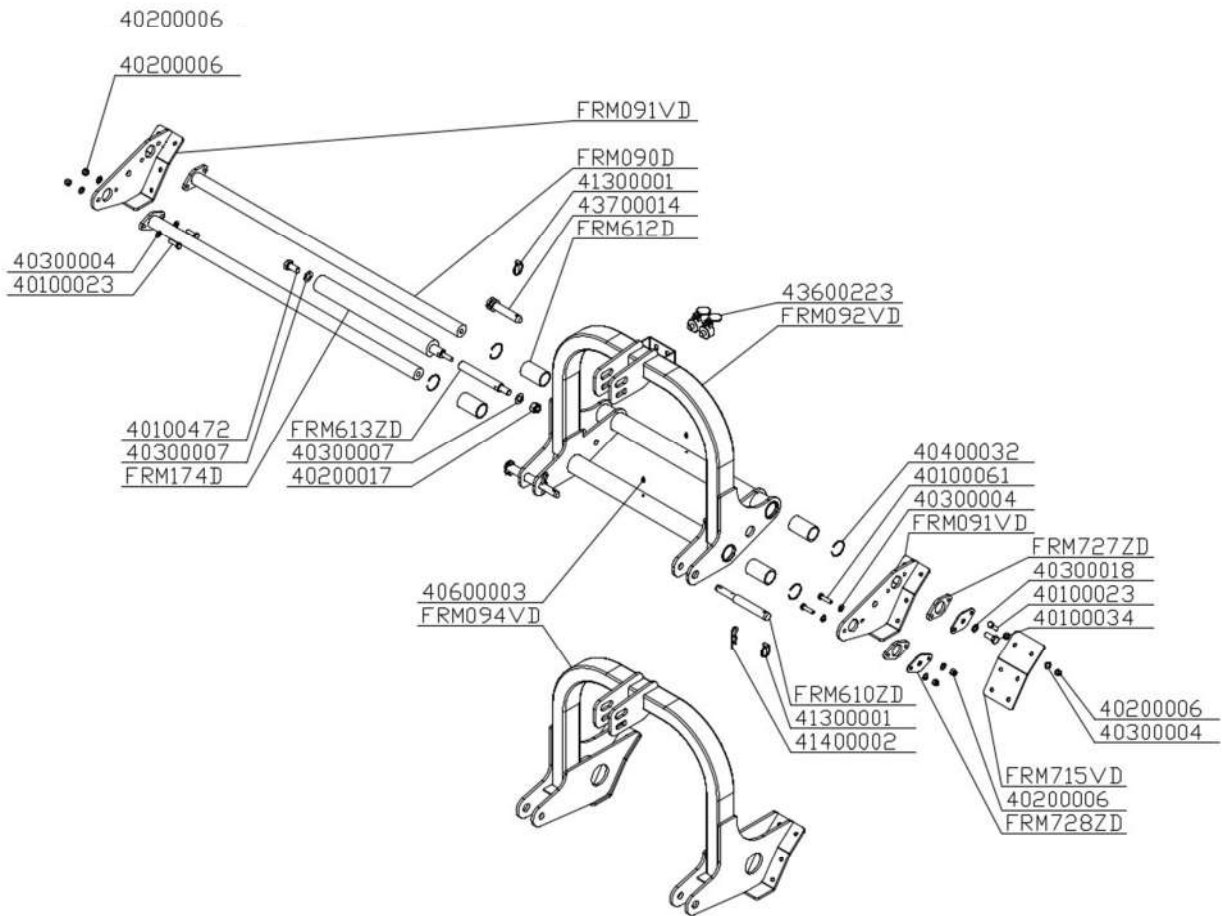
MECHANISMS LEVANTE



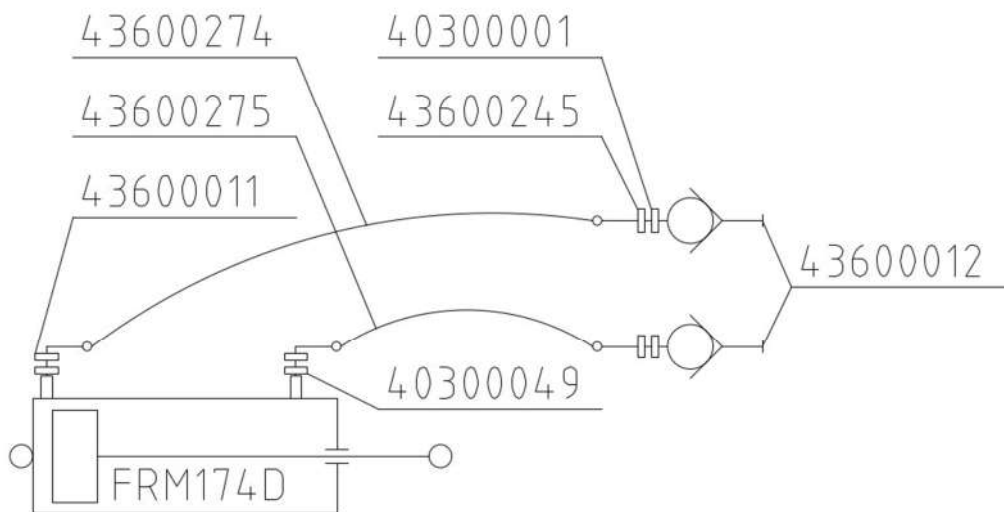
FRAME LEVANTE



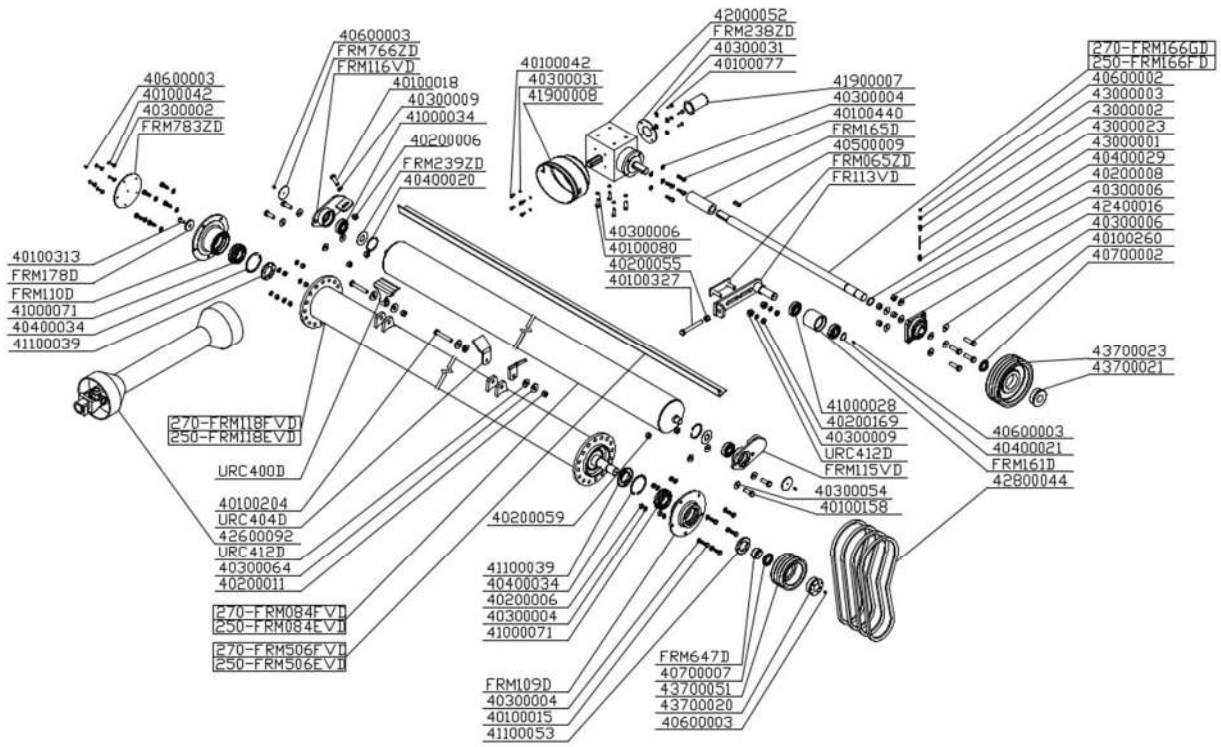
III POINT LEVANTE



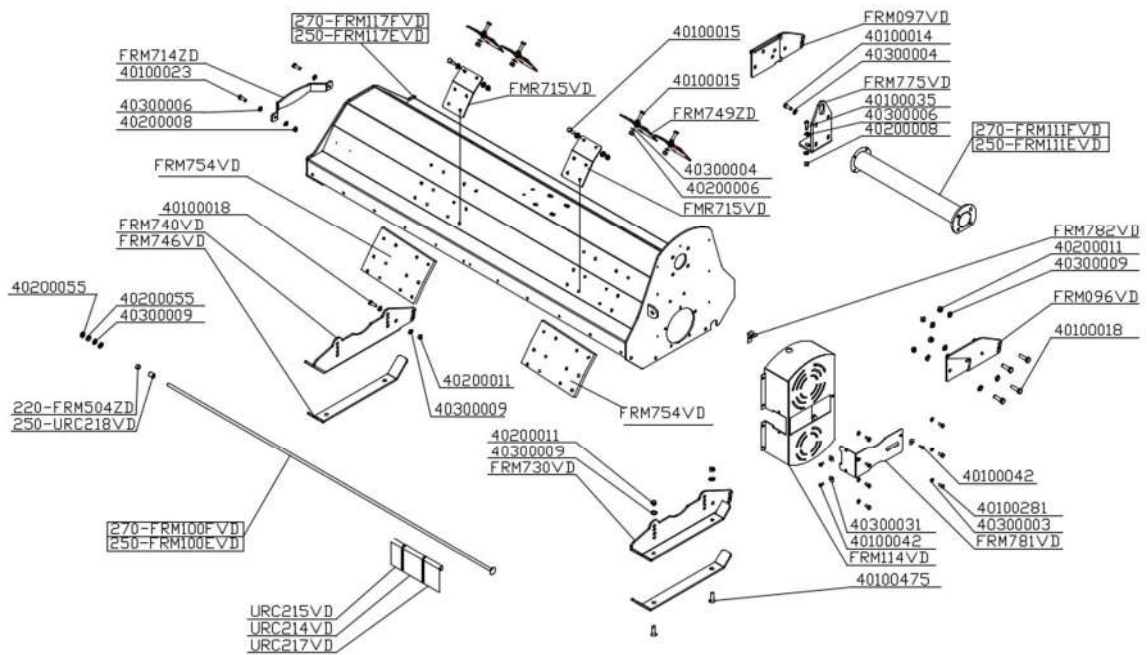
HYDRAULIC SYSTEM LEVANTE



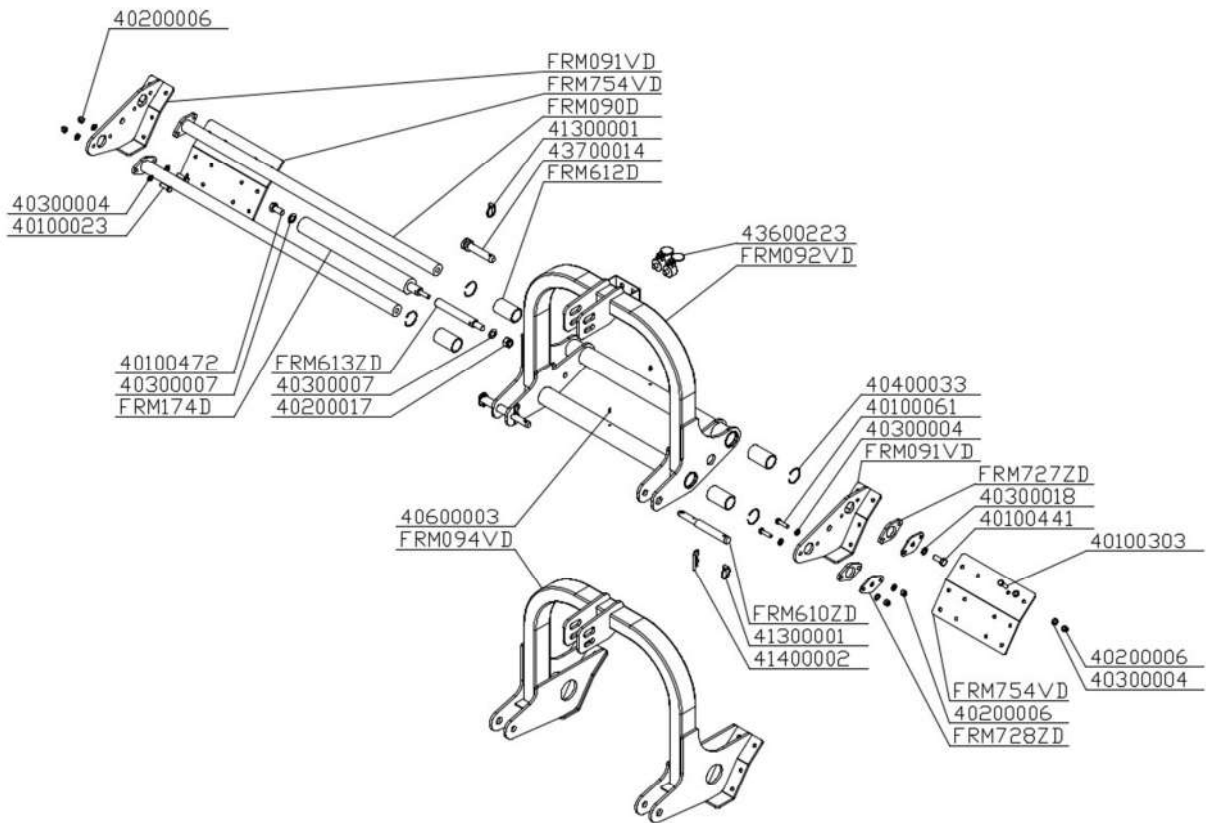
MECHANISMS LEVANTE PLUS



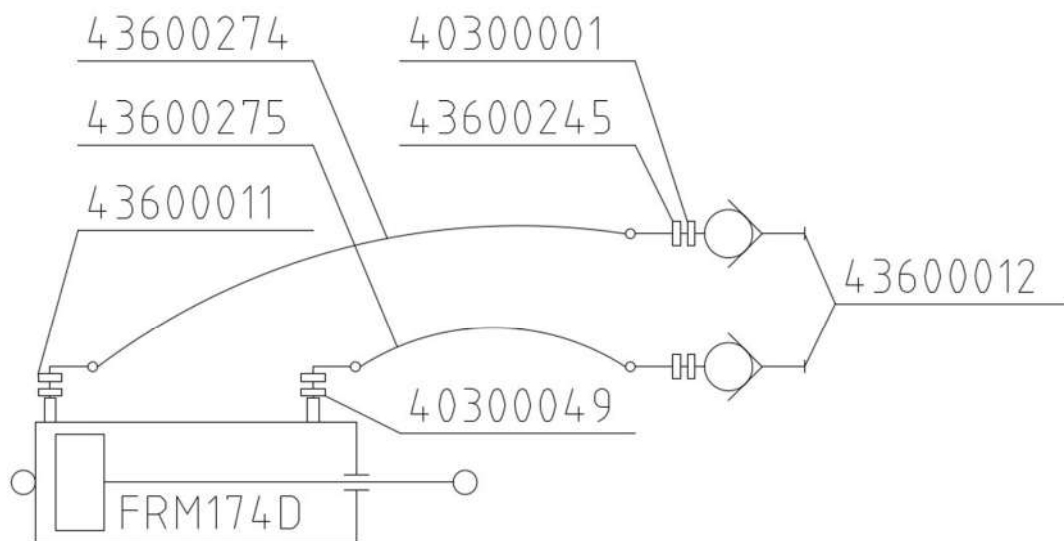
FRAME LEVANTE PLUS



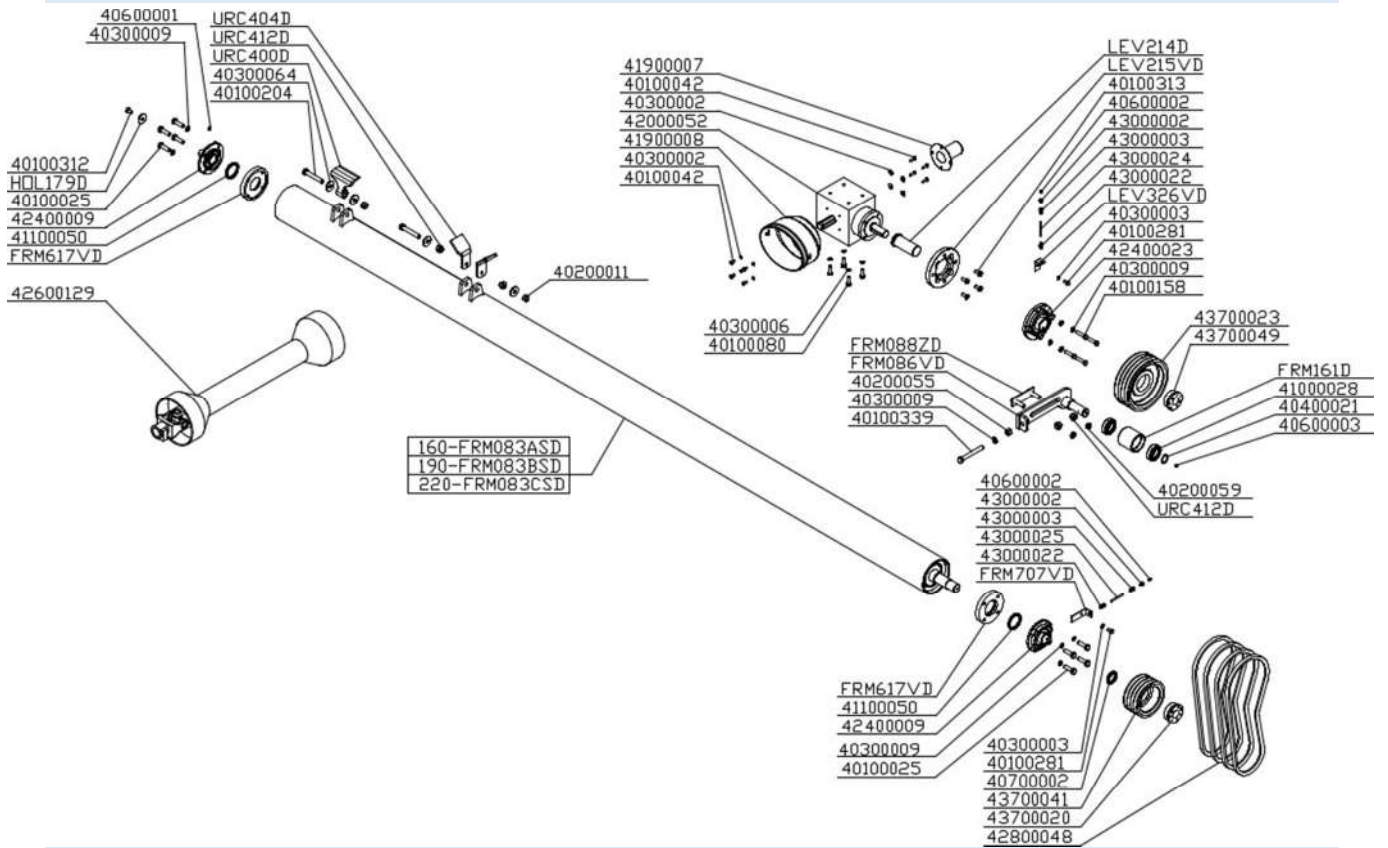
III POINT LEVANTE PLUS



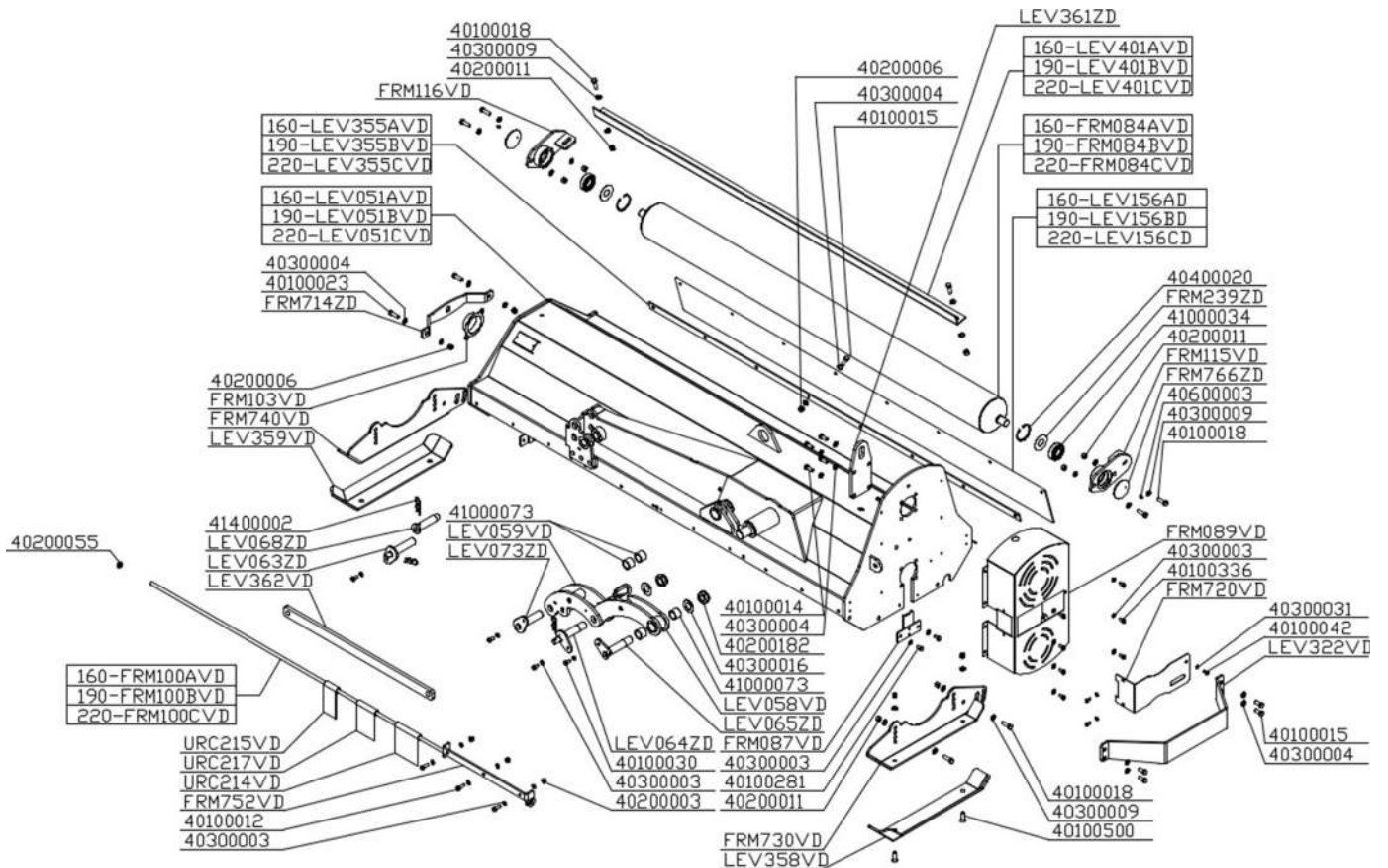
HYDRAULIC SYSTEM LEVANTE PLUS



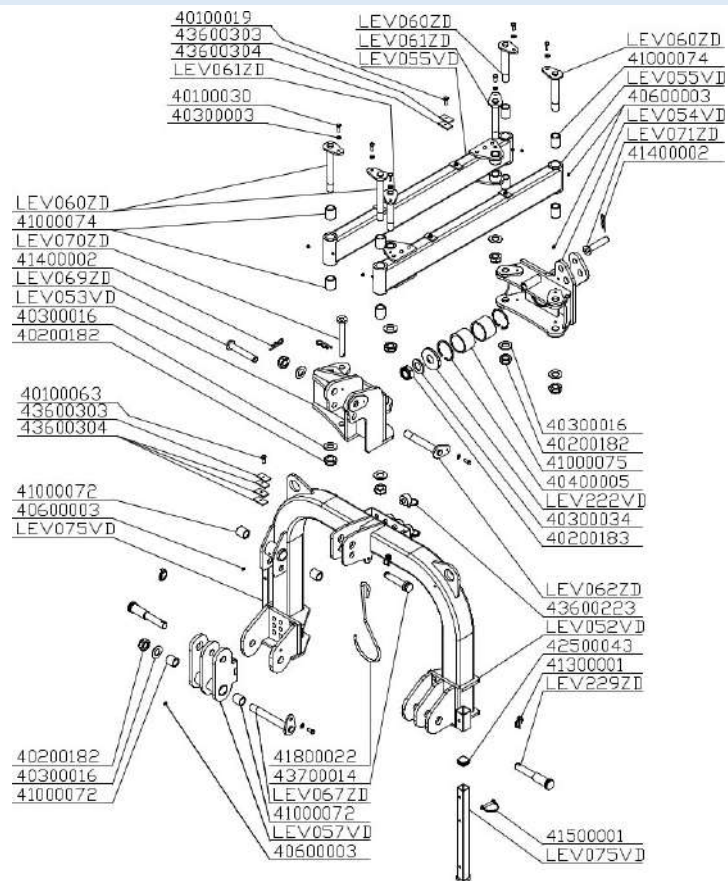
MECHANISMS LEVANTE SUPER



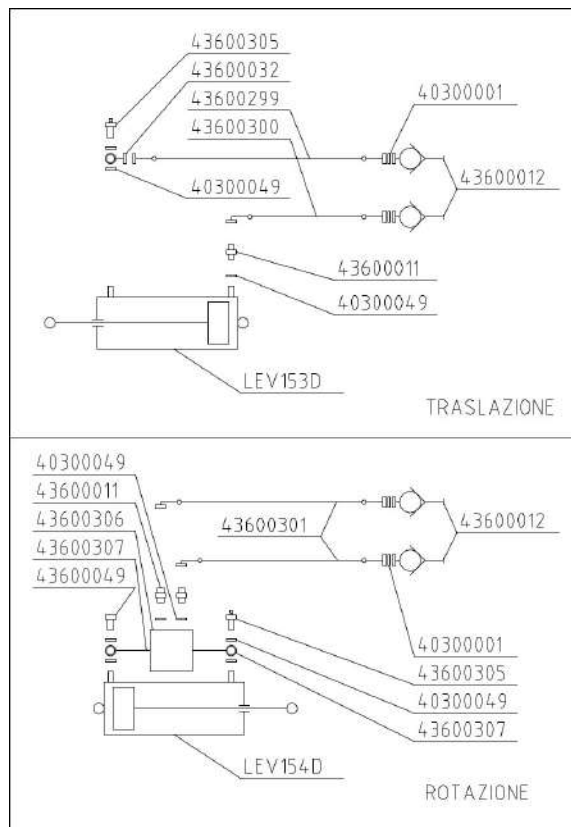
FRAME LEVANTE SUPER



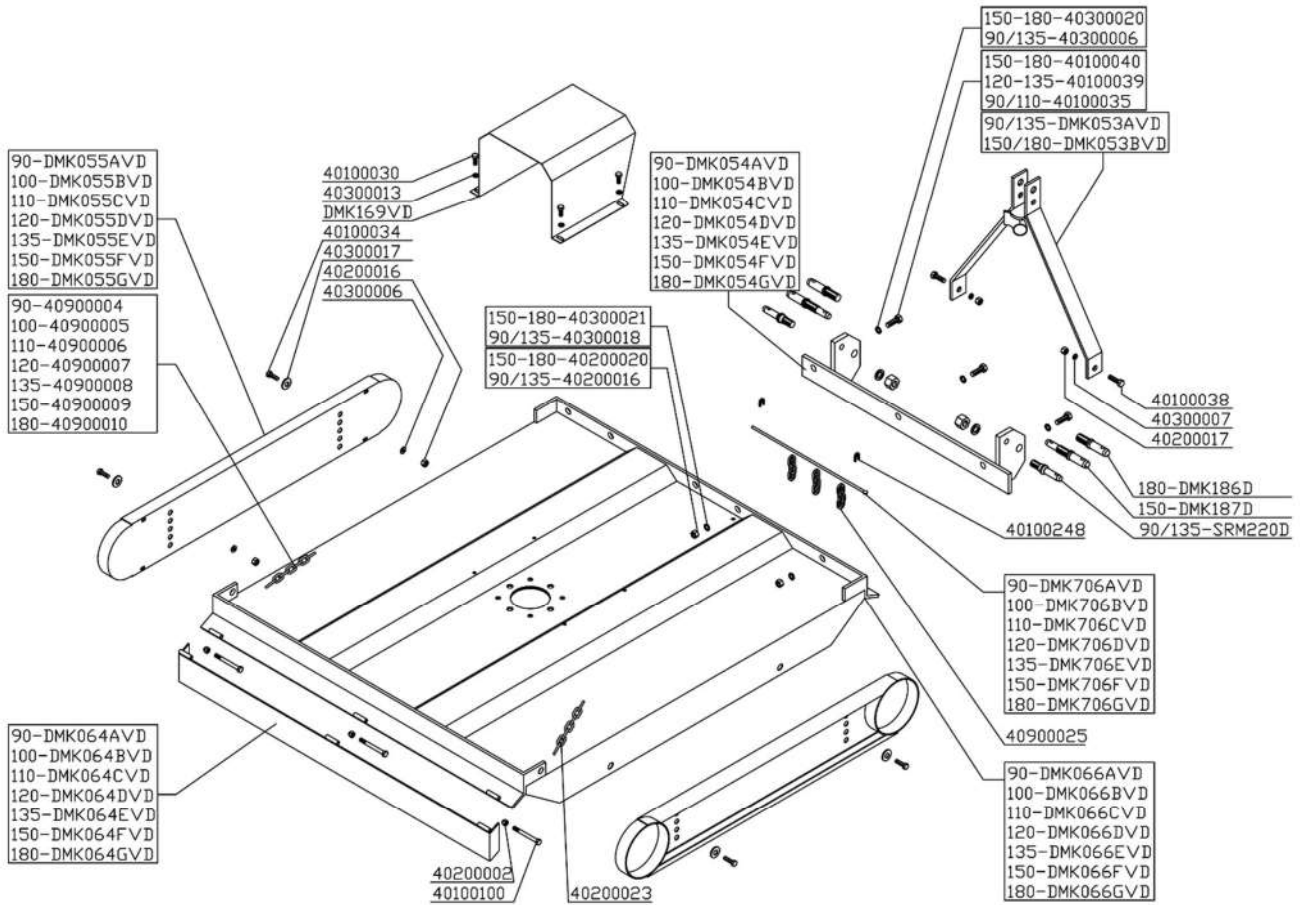
III POINT LEVANTE SUPER



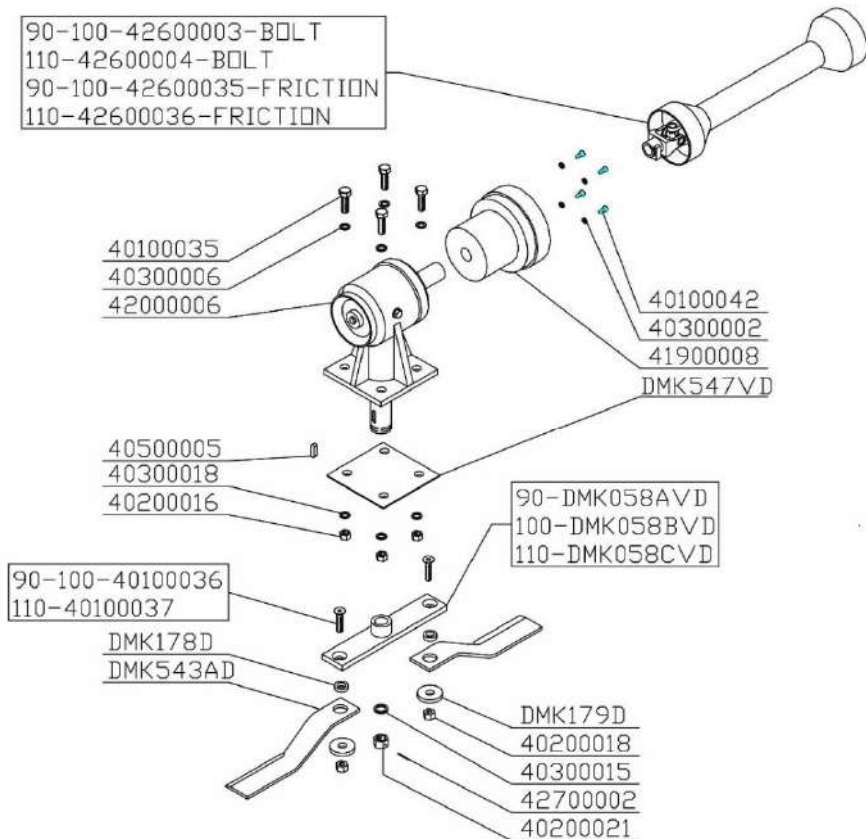
HYDRAULIC SYSTEM LEVANTE SUPER



FRAME DMK

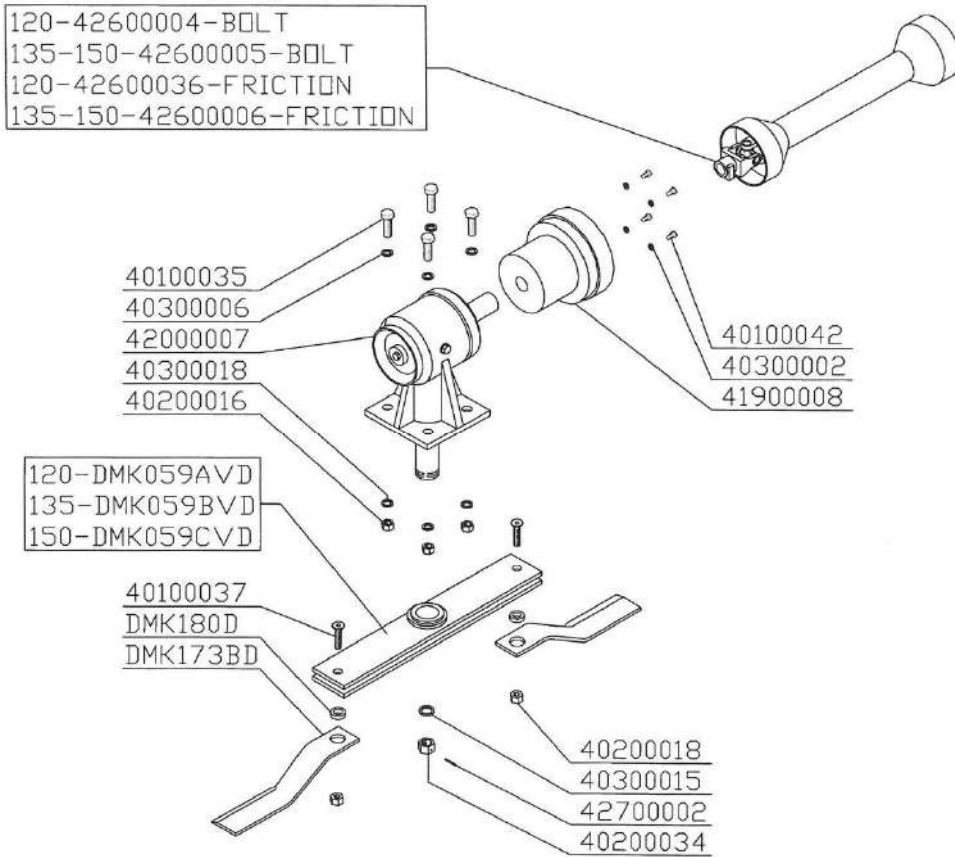


TRANSMISSION DMK 90-100-110

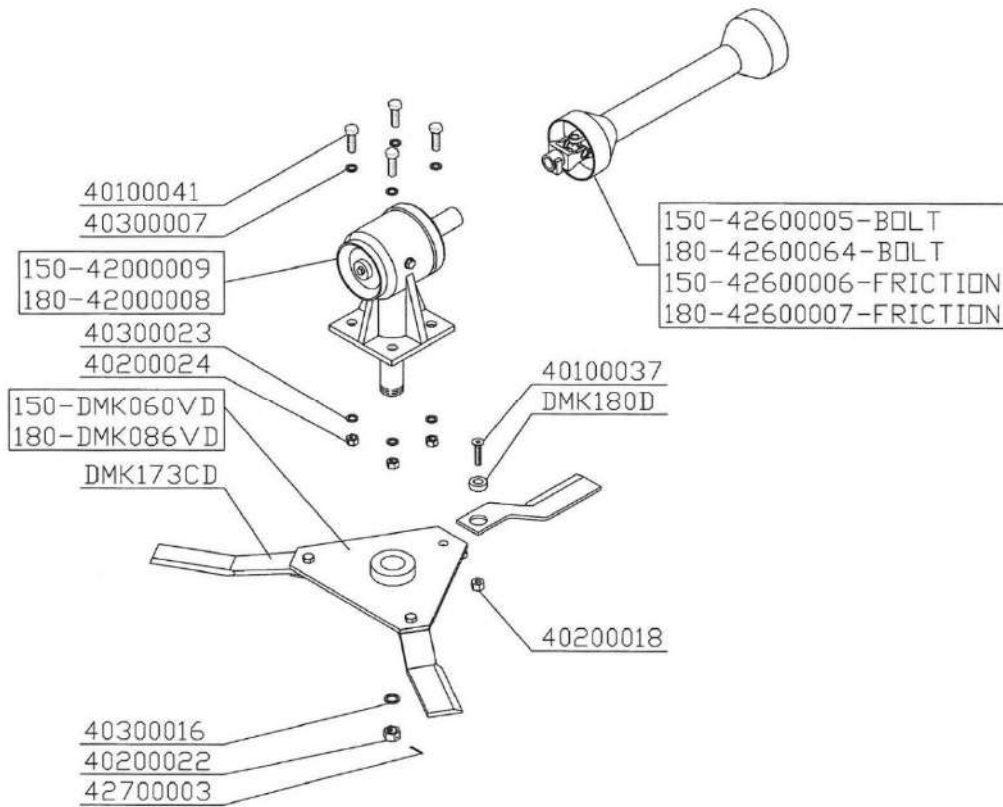


ROTARY SLASHER

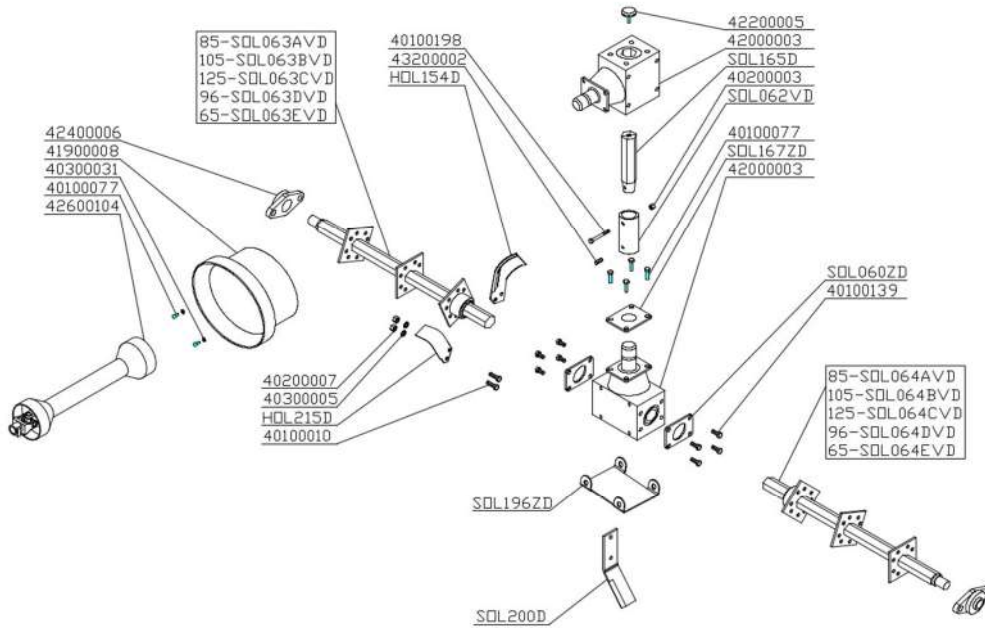
TRANSMISSION DMK 120-135-150/2



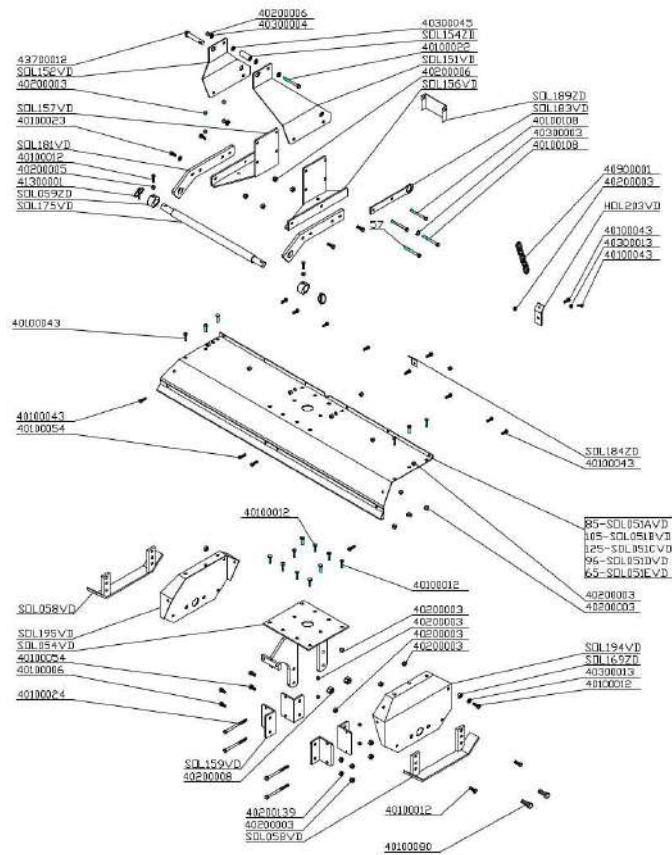
TRANSMISSION DMK 150/3-180



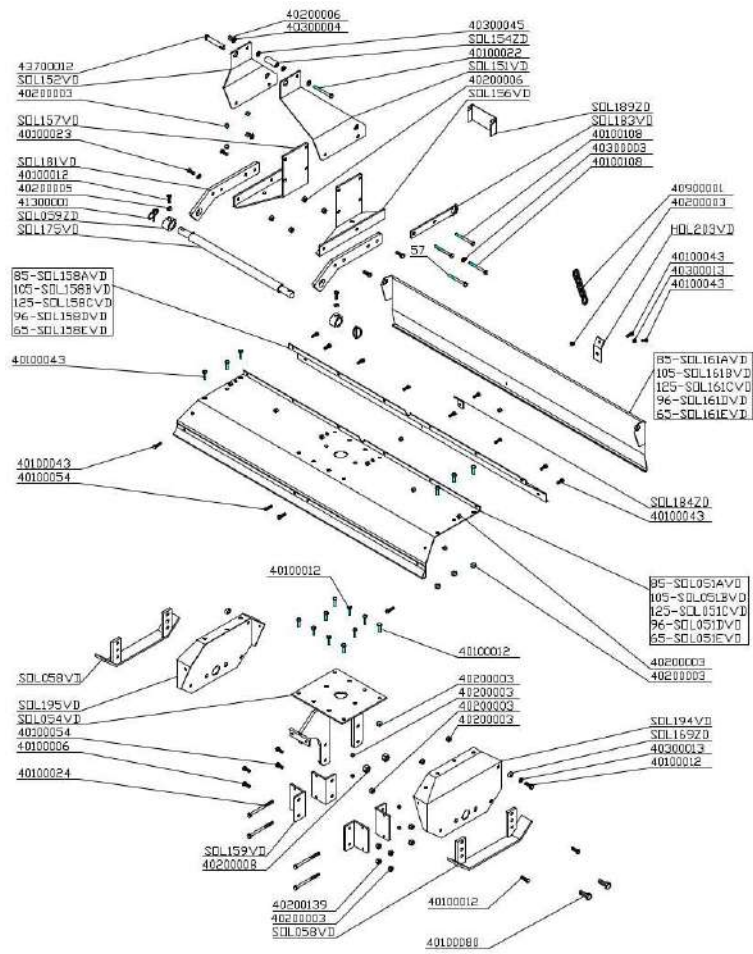
MECHANISMS FLASH



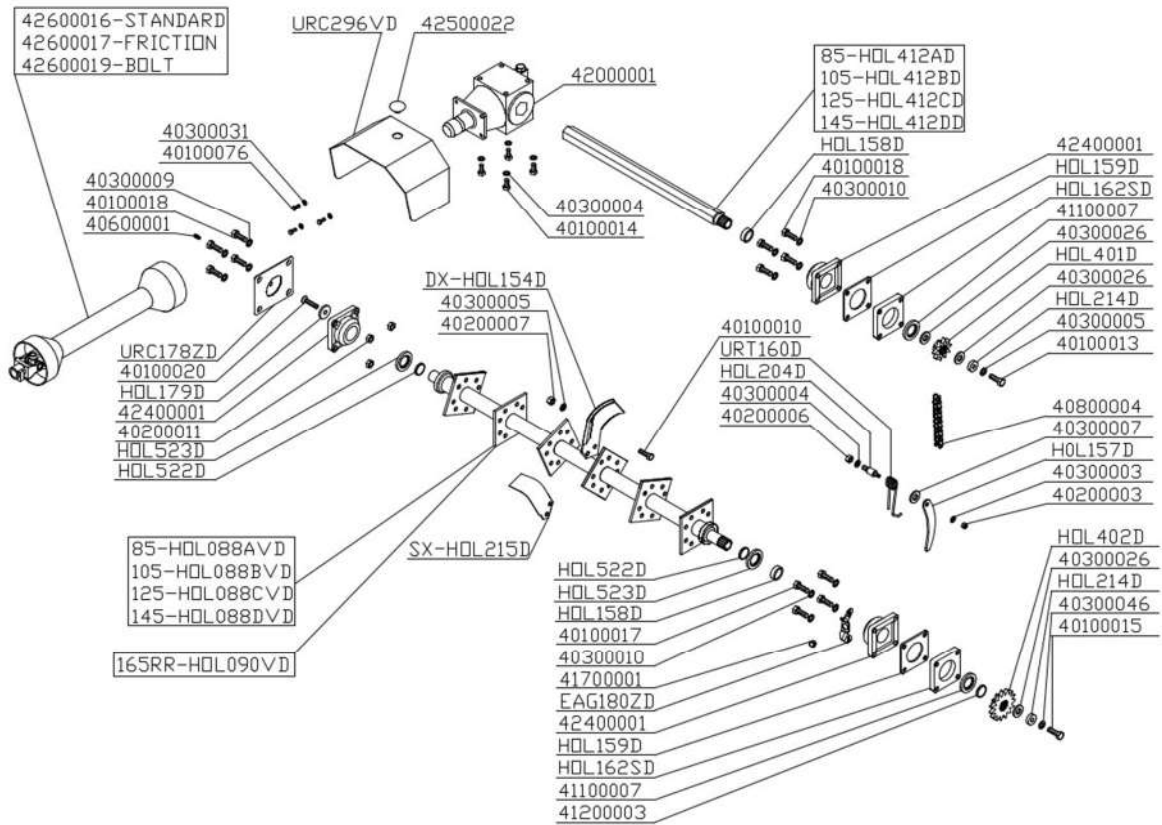
FRAME FLASH



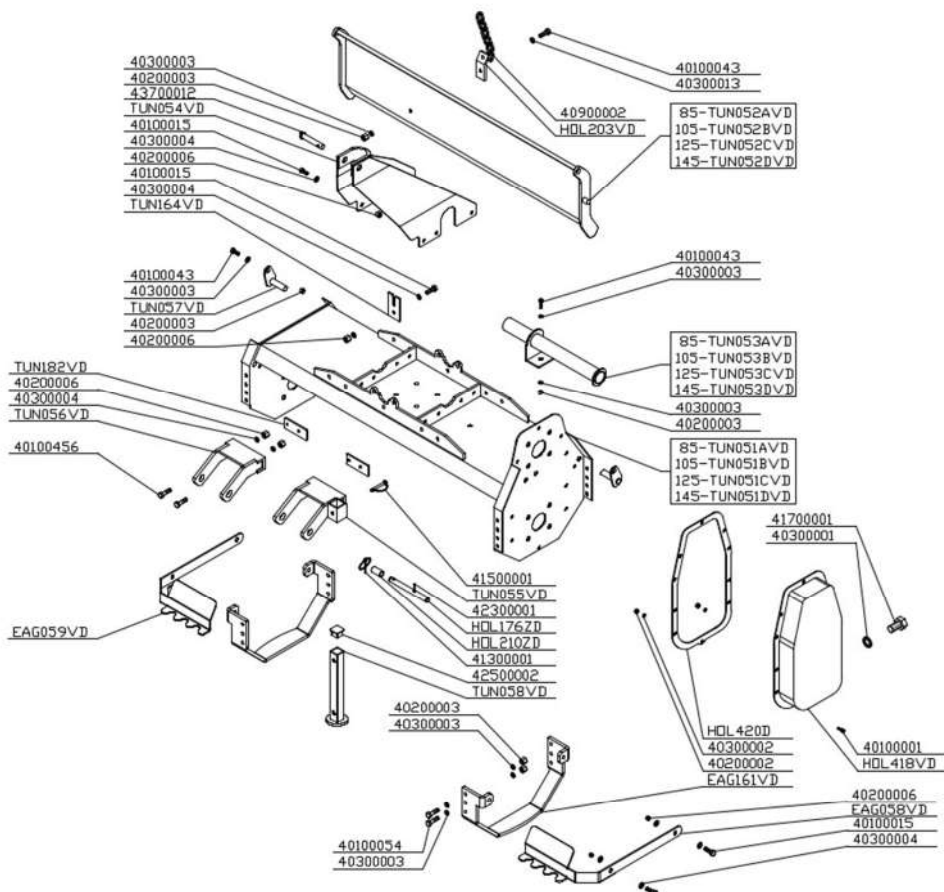
FRAME STONE BURIER KIT FLASH



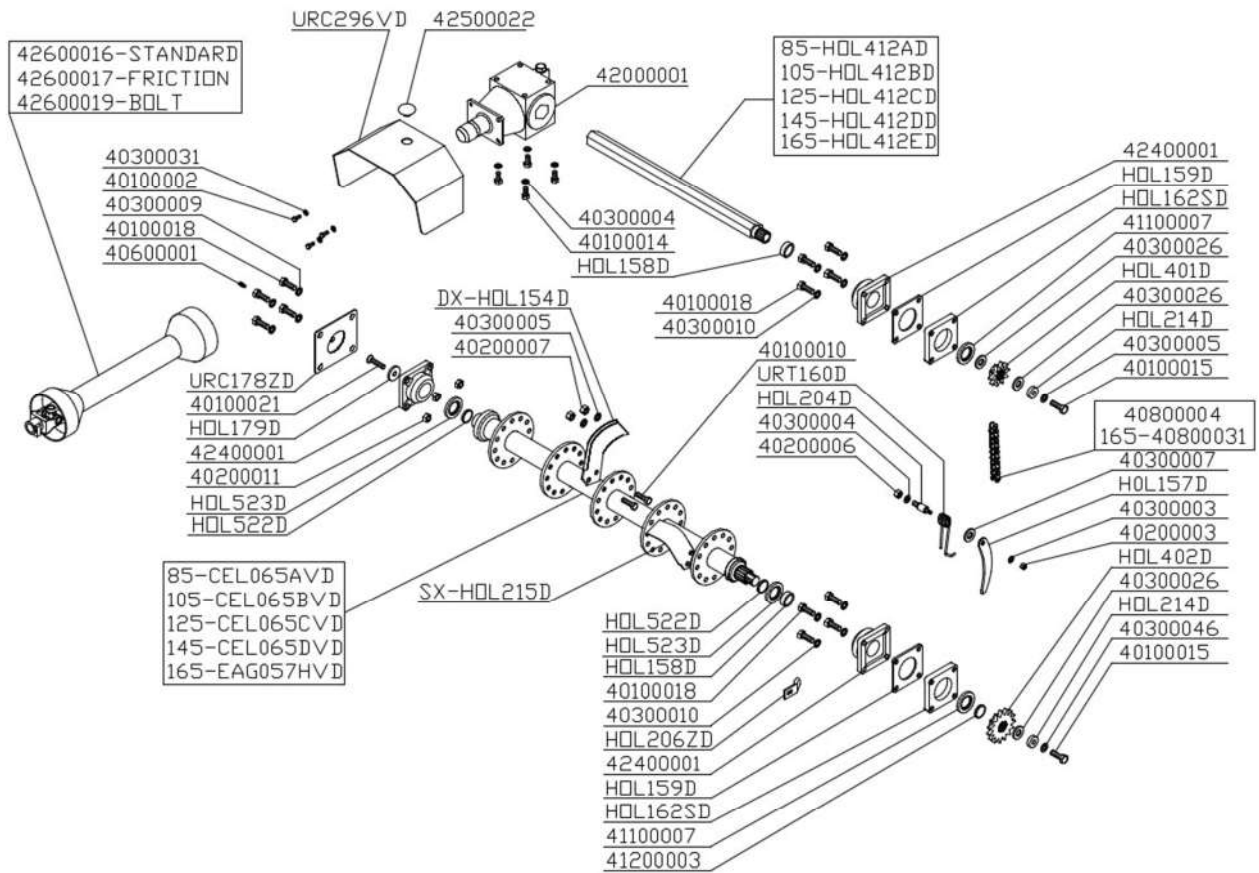
MECHANISMS THUNDER



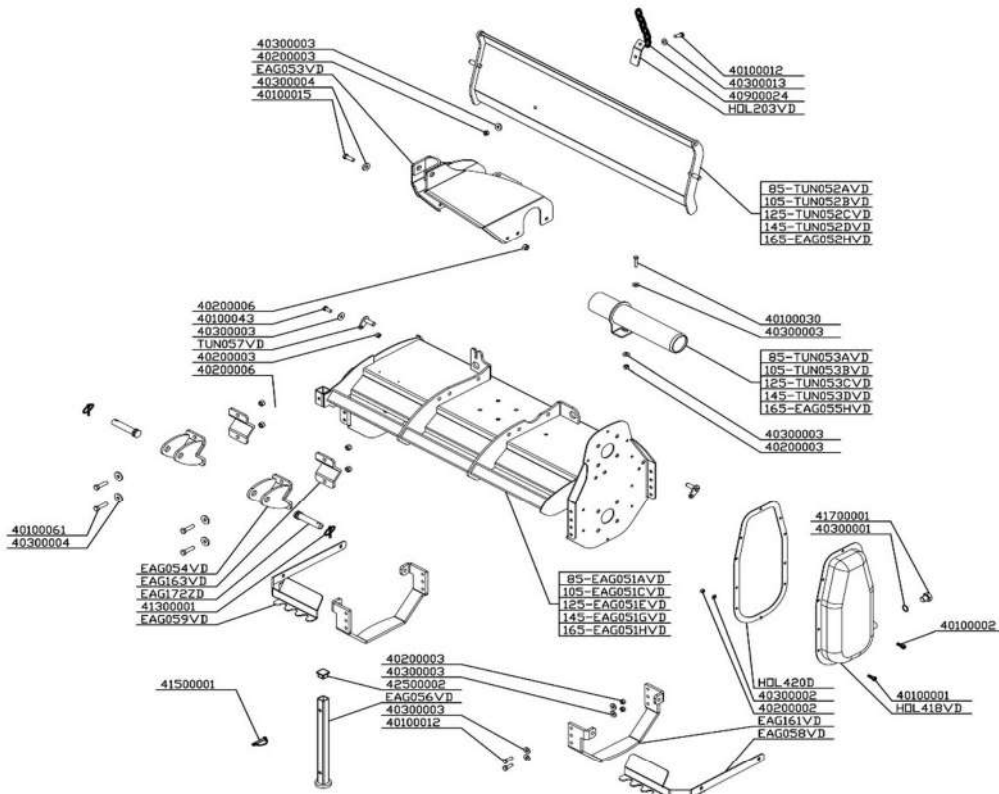
FRAME THUNDER



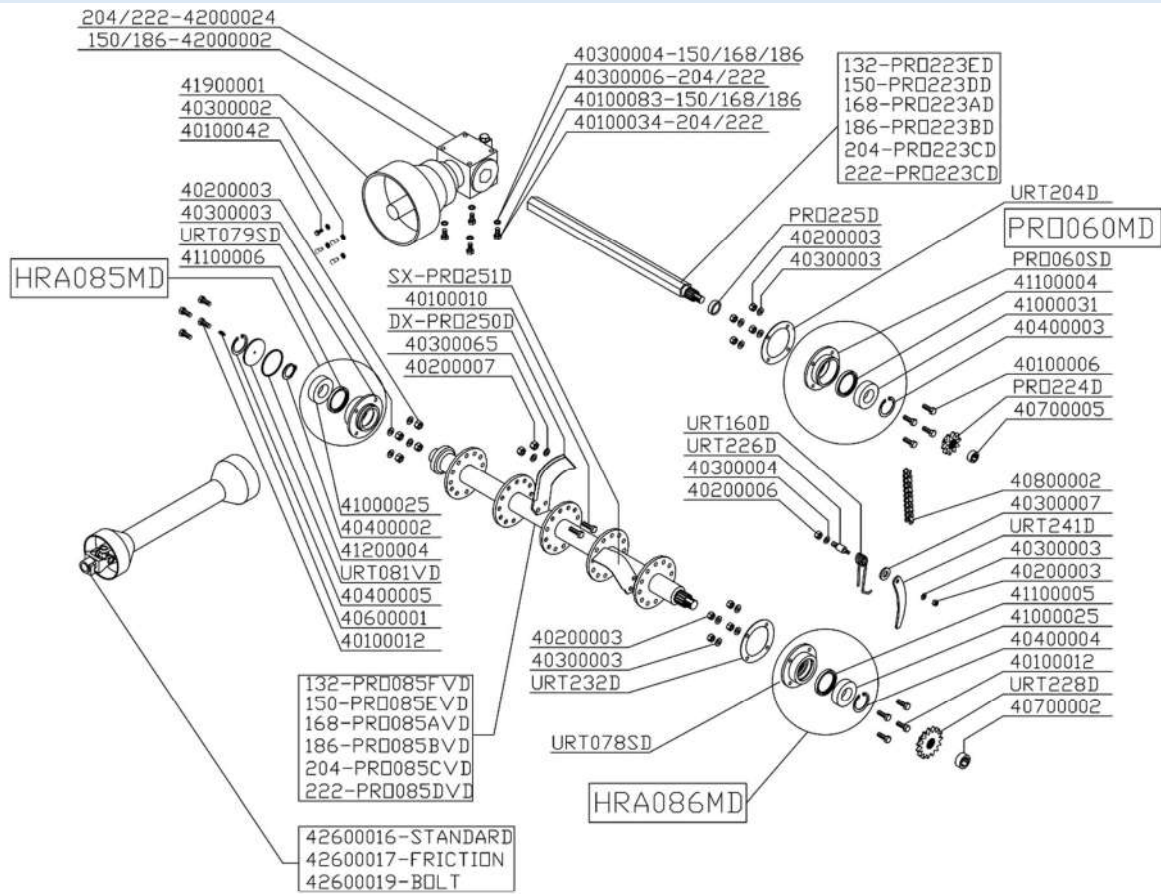
MECHANISMS EAGLE



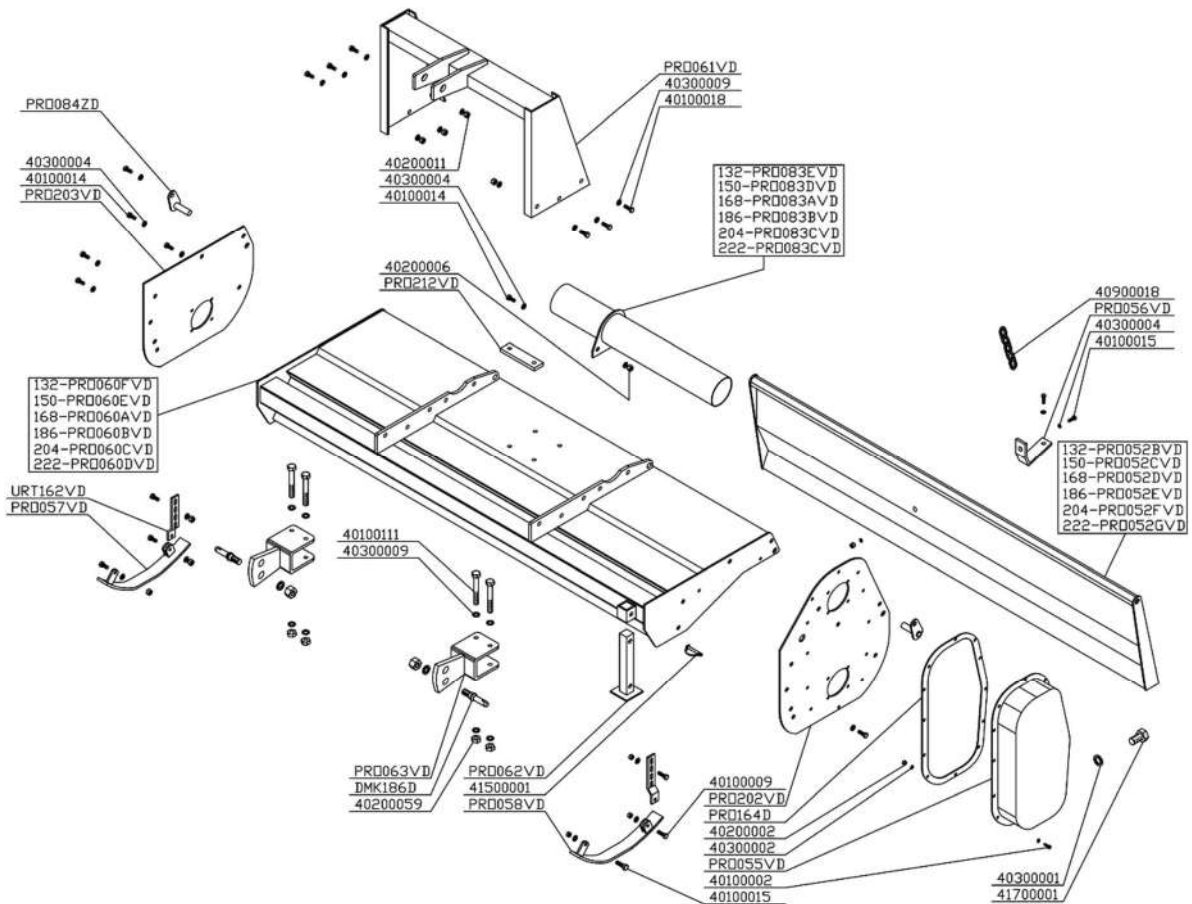
MECHANISMS EAGLE



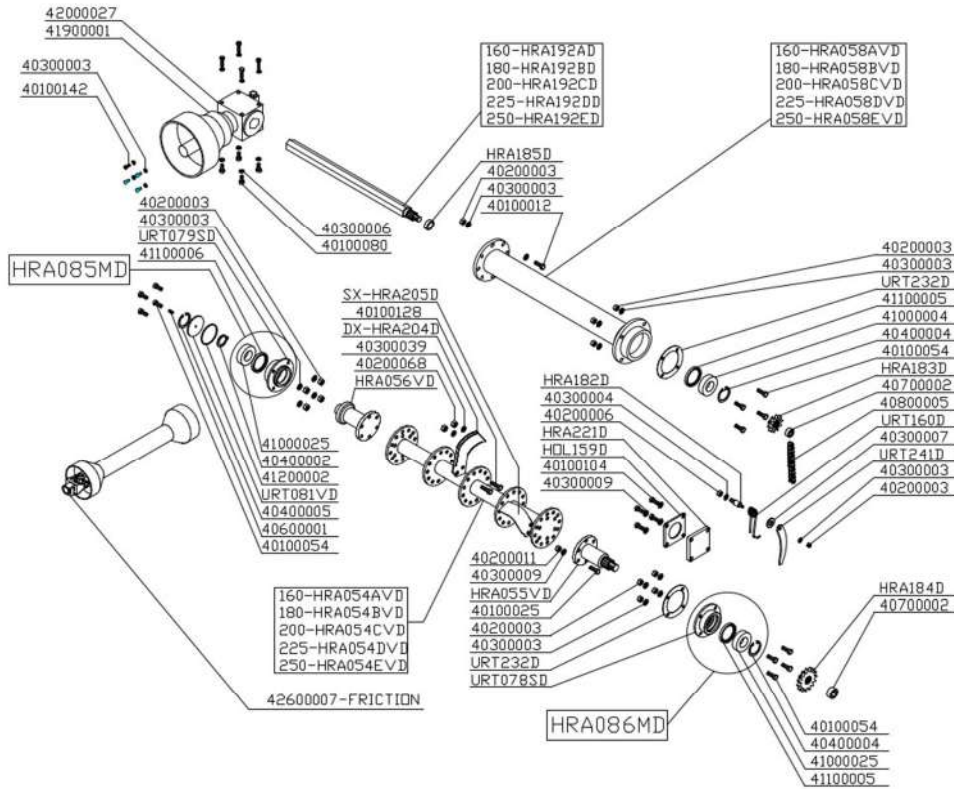
MECHANISMS URT HF



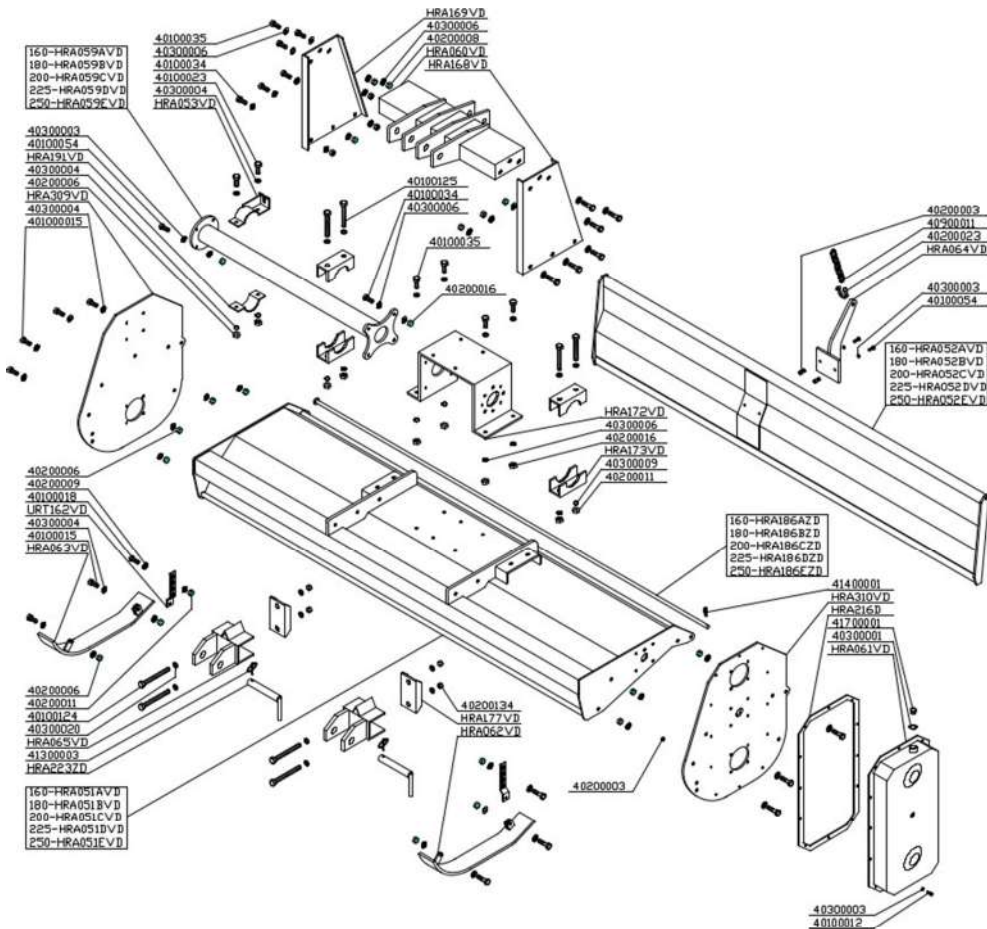
FRAME URT HF



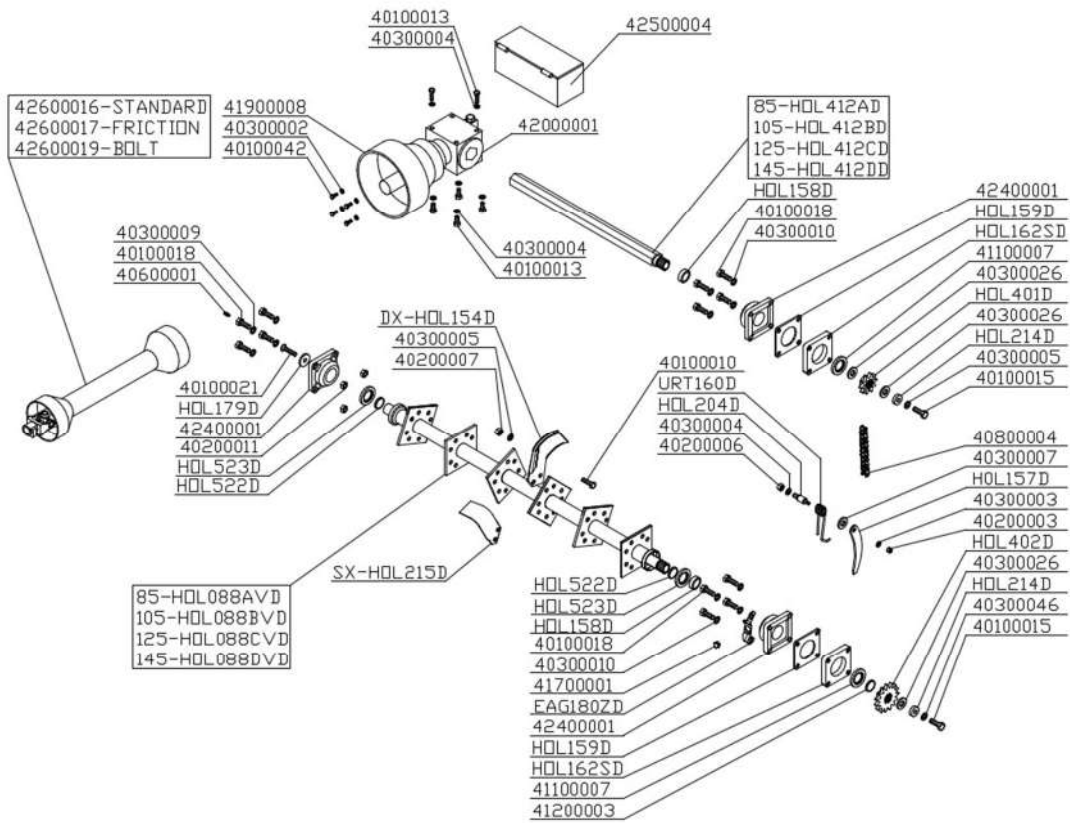
MECHANISMS HRA



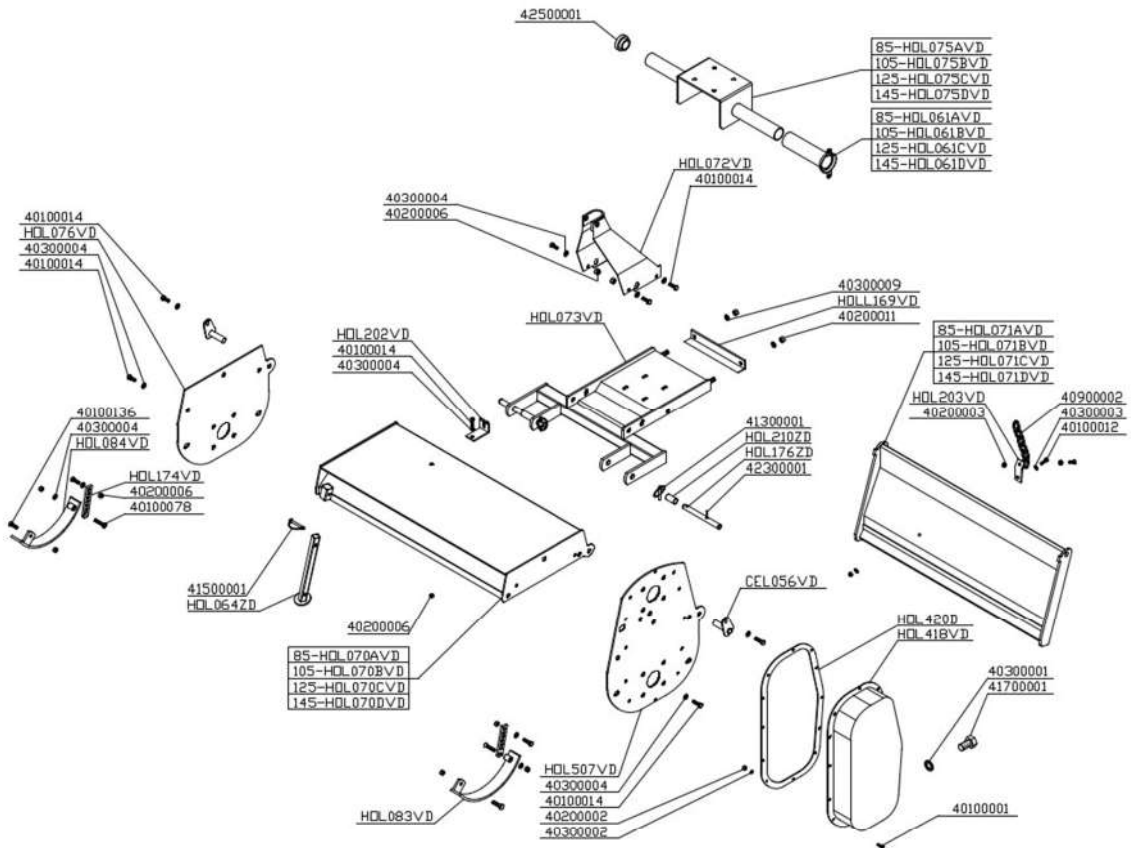
FRAME HRA



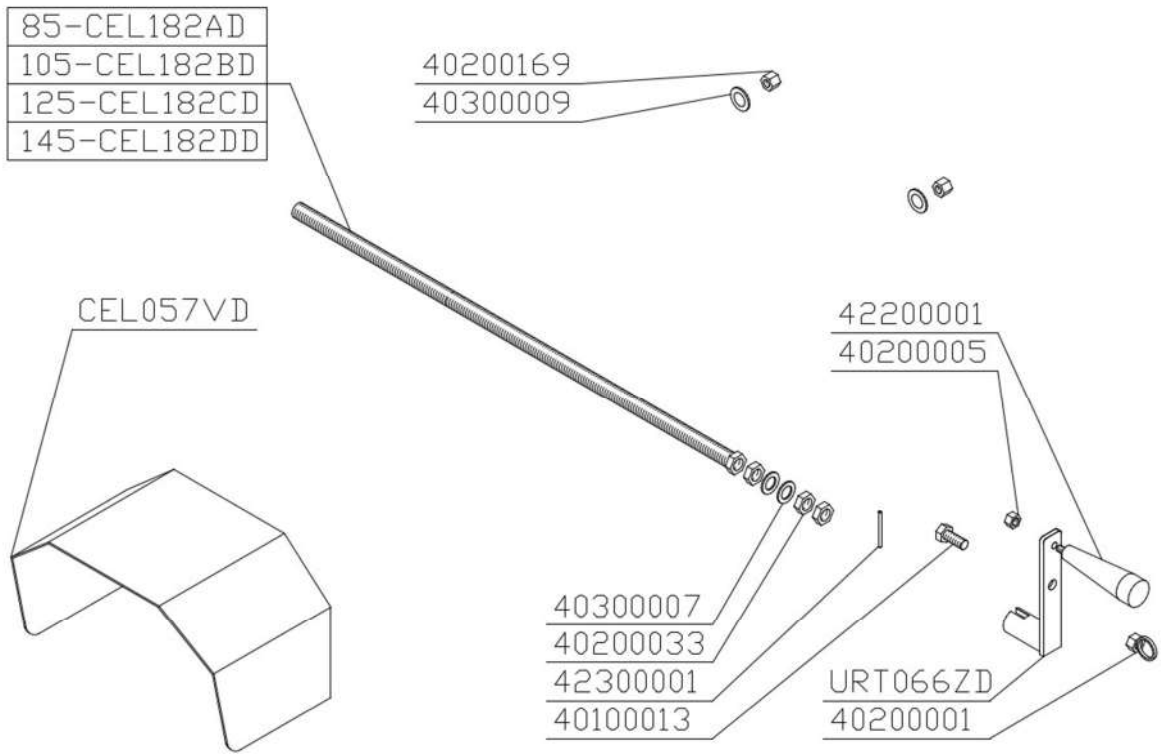
MECHANISMS HOLIDAY R



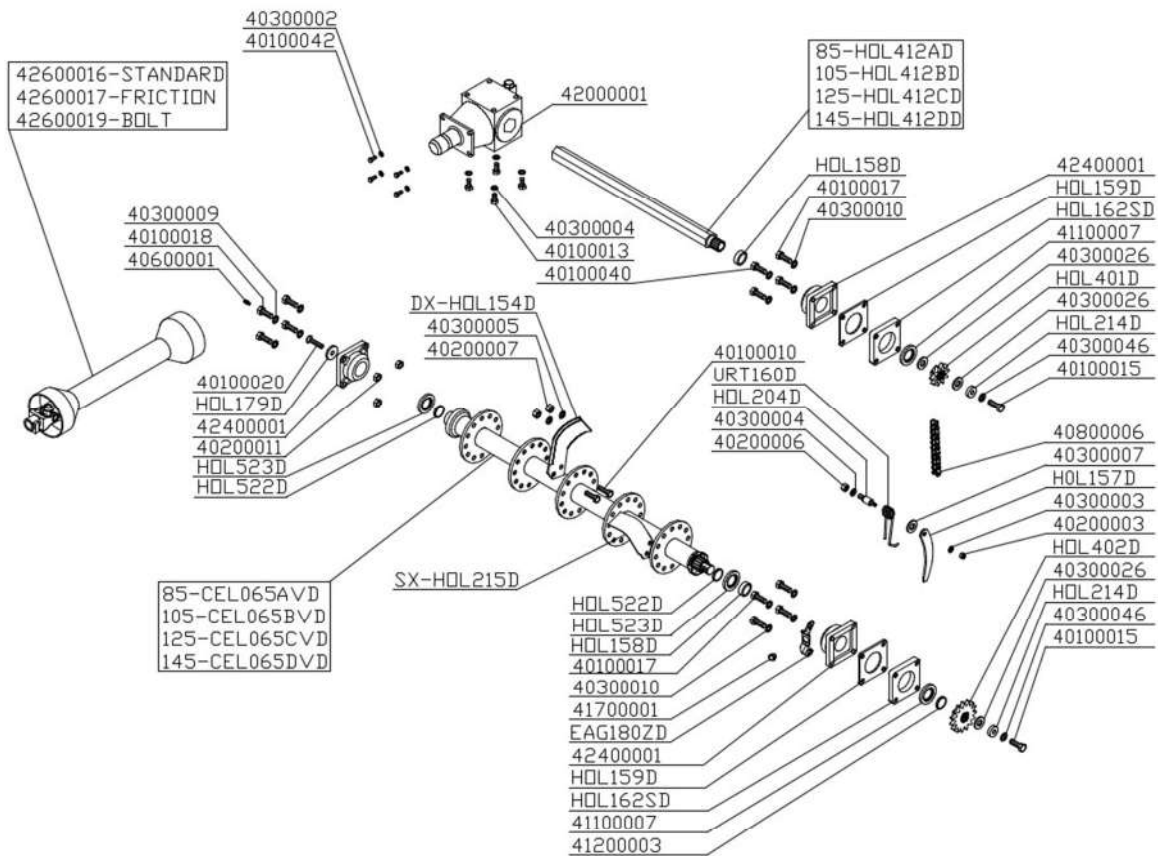
FRAME HOLIDAY R



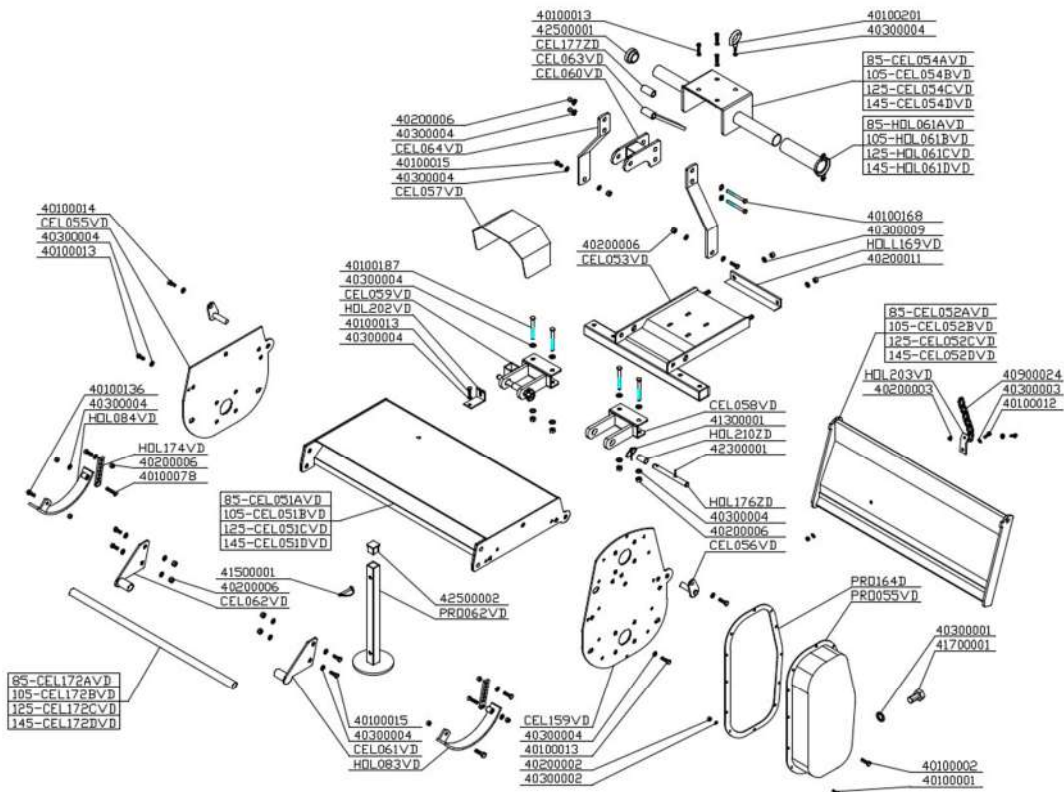
MECHANISMS HOLIDAY R



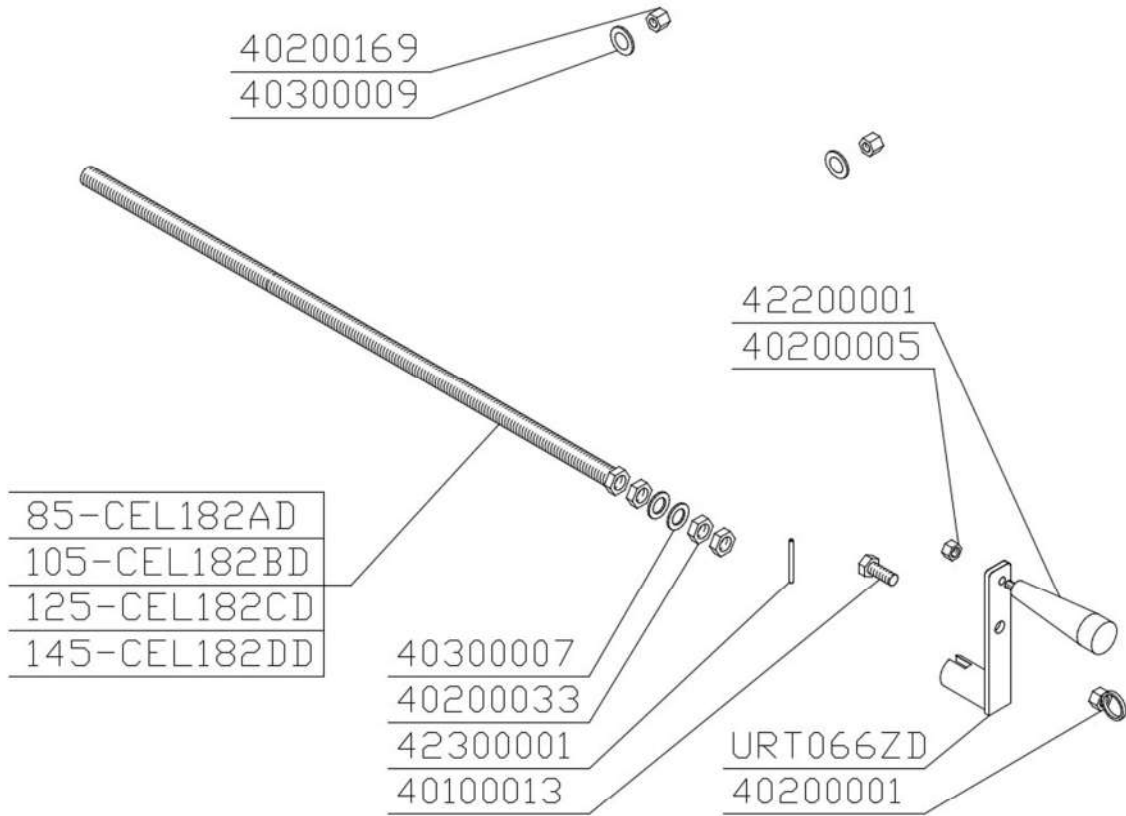
MECHANISMS HOLIDAY RS



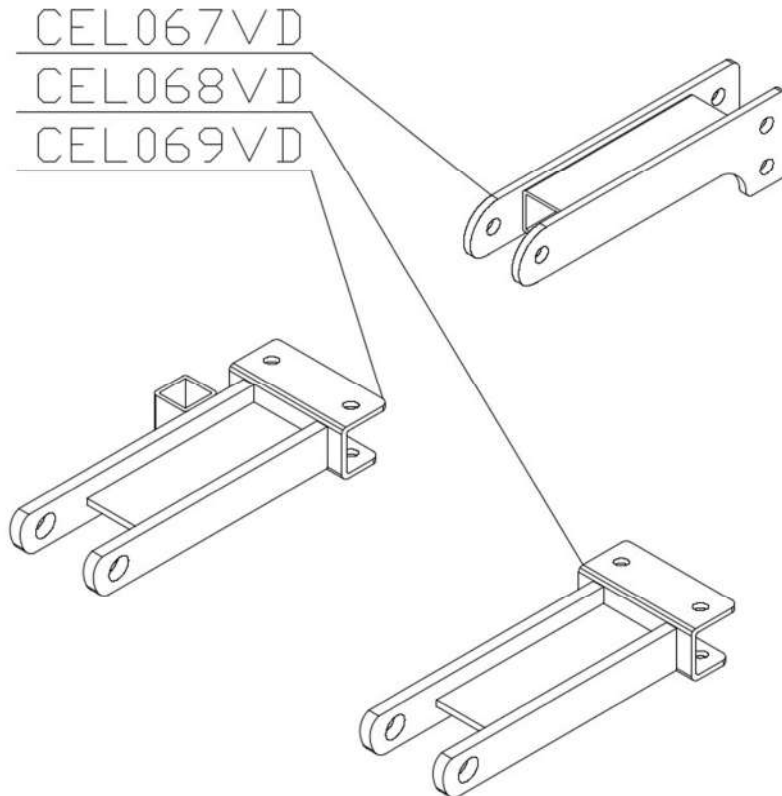
FRAME HOLIDAY RS



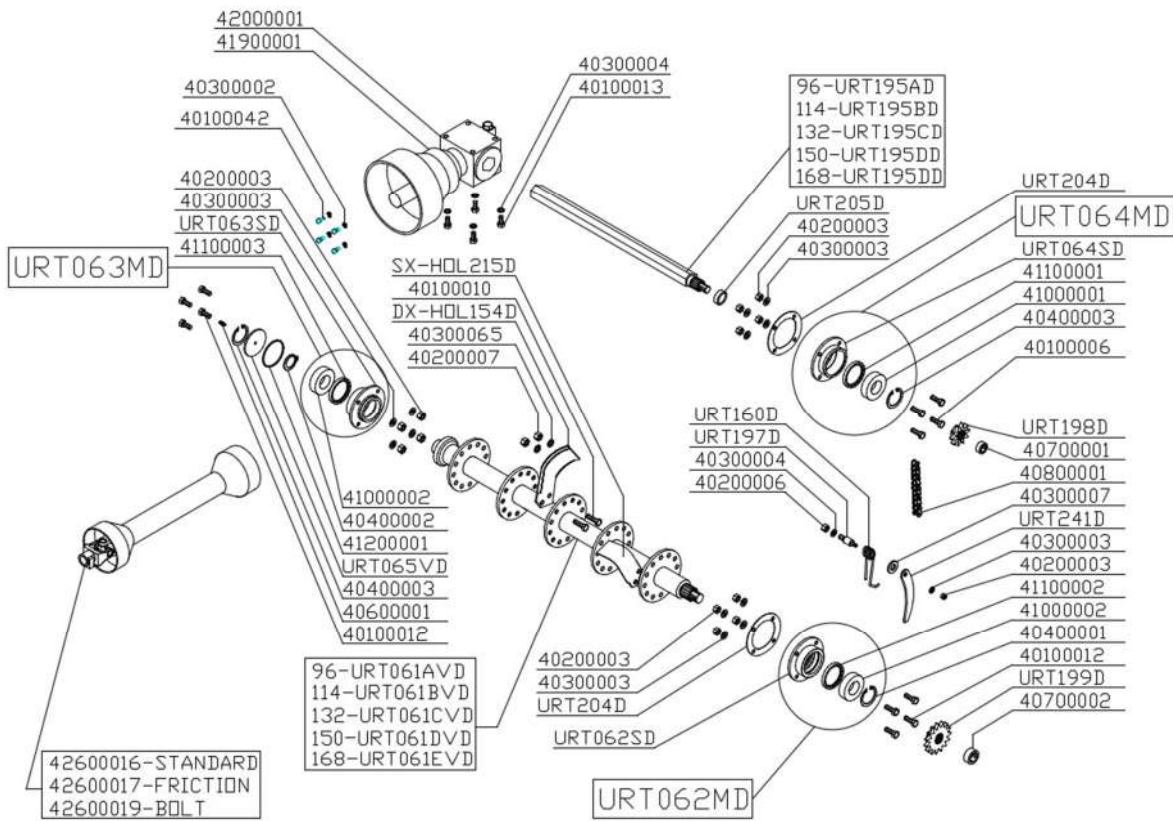
MECHANIC SIDE SHIFT HOLIDAY RS



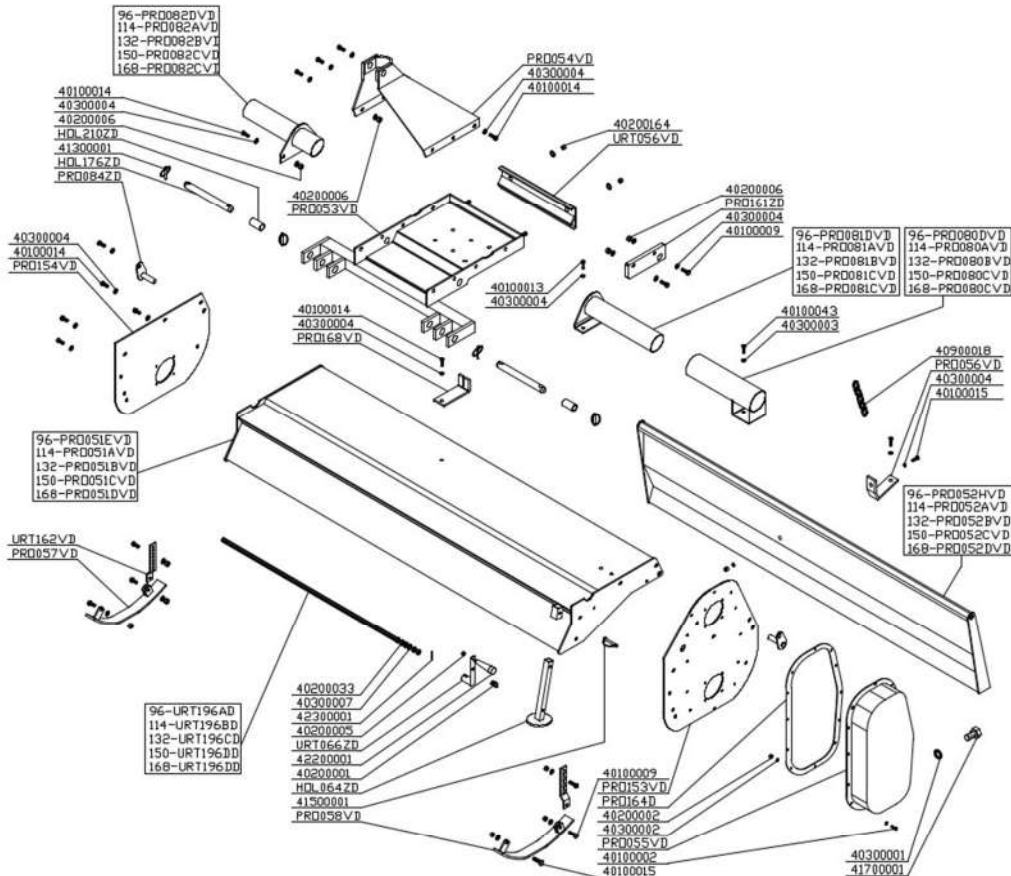
ATTACHMENT EXTENSION KIT



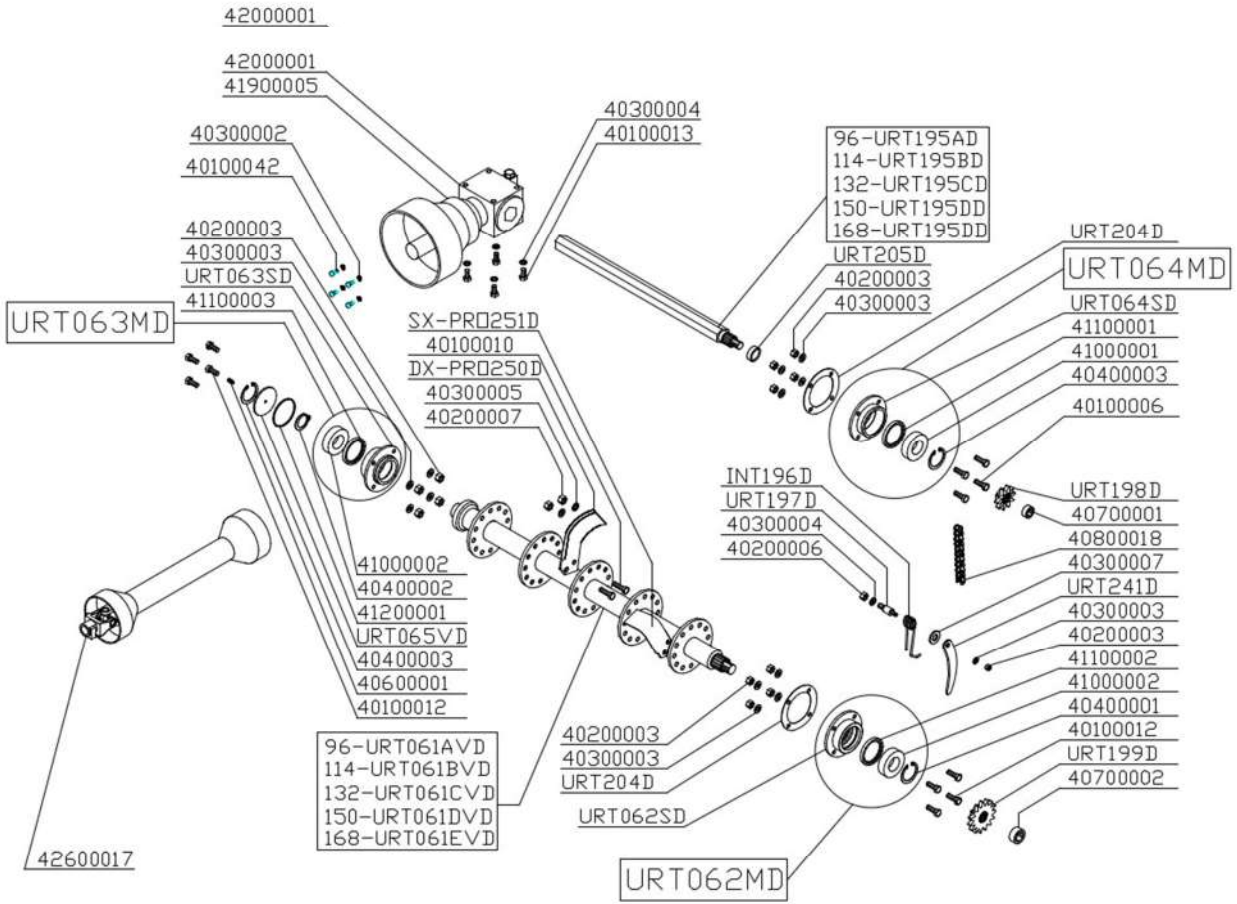
MECHANISMS URT ED



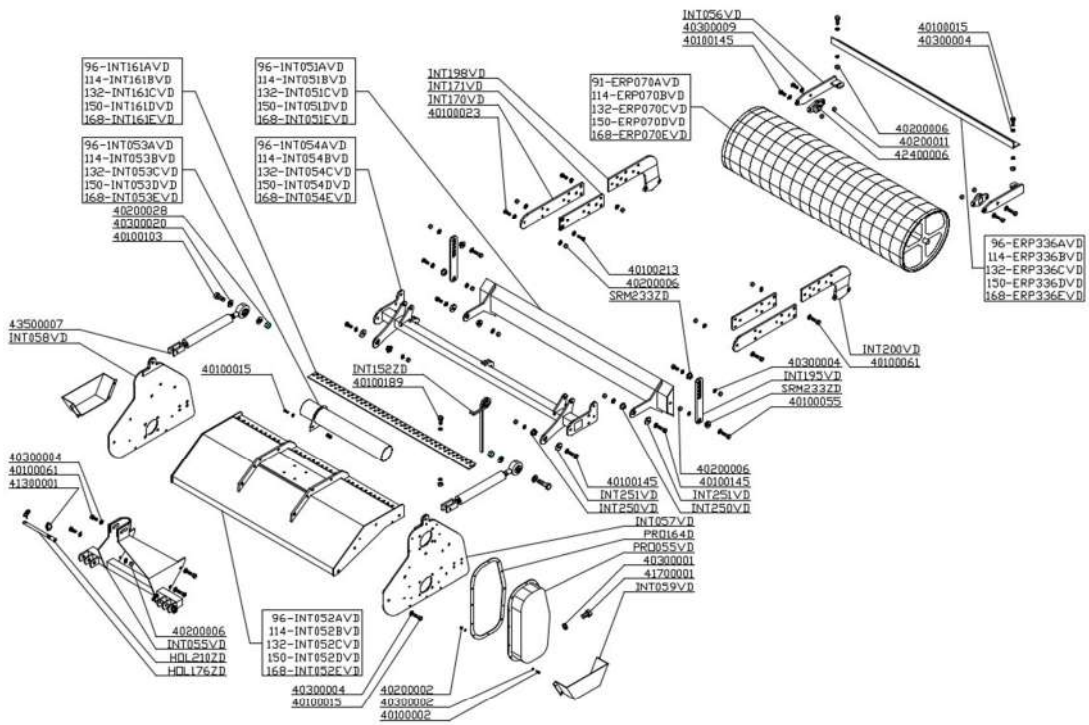
FRAME URT ED



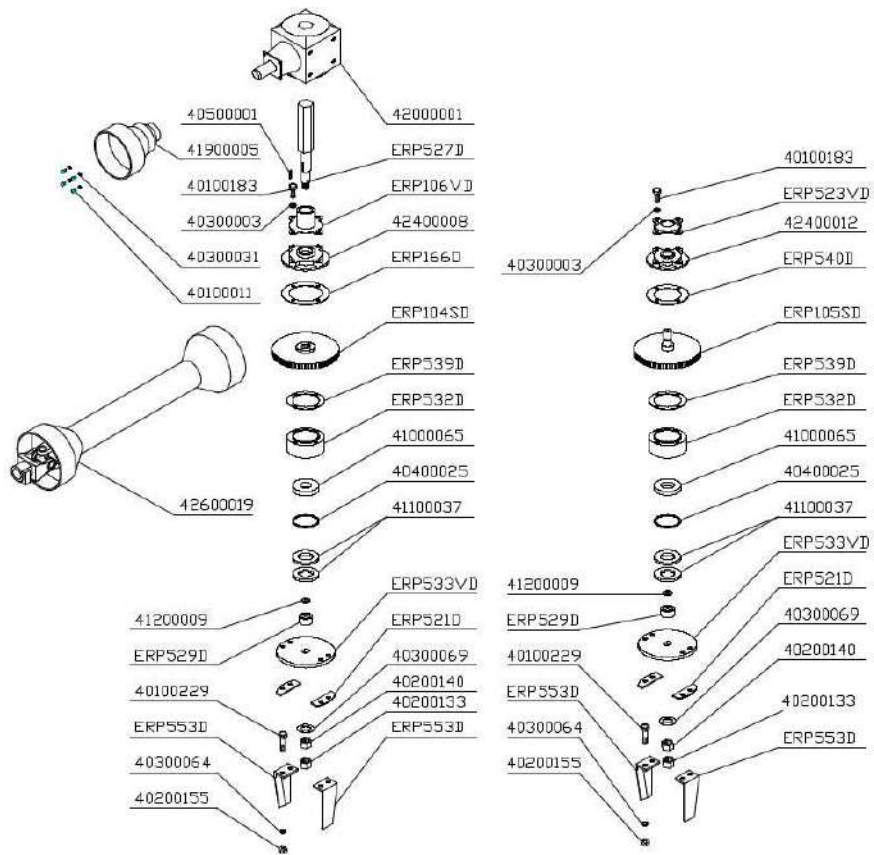
MECHANISMS YELLOWSTONE



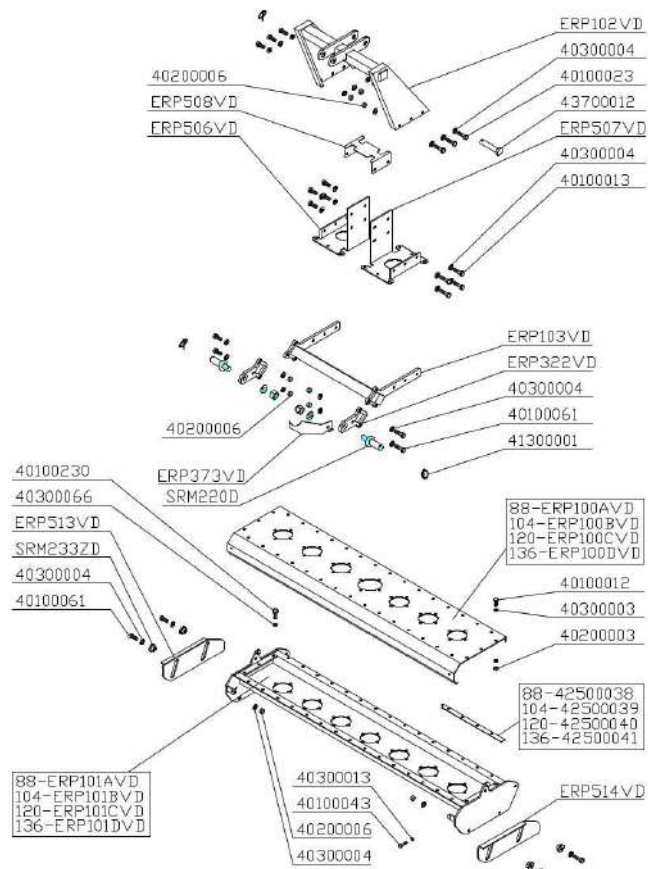
FRAME YELLOWSTONE



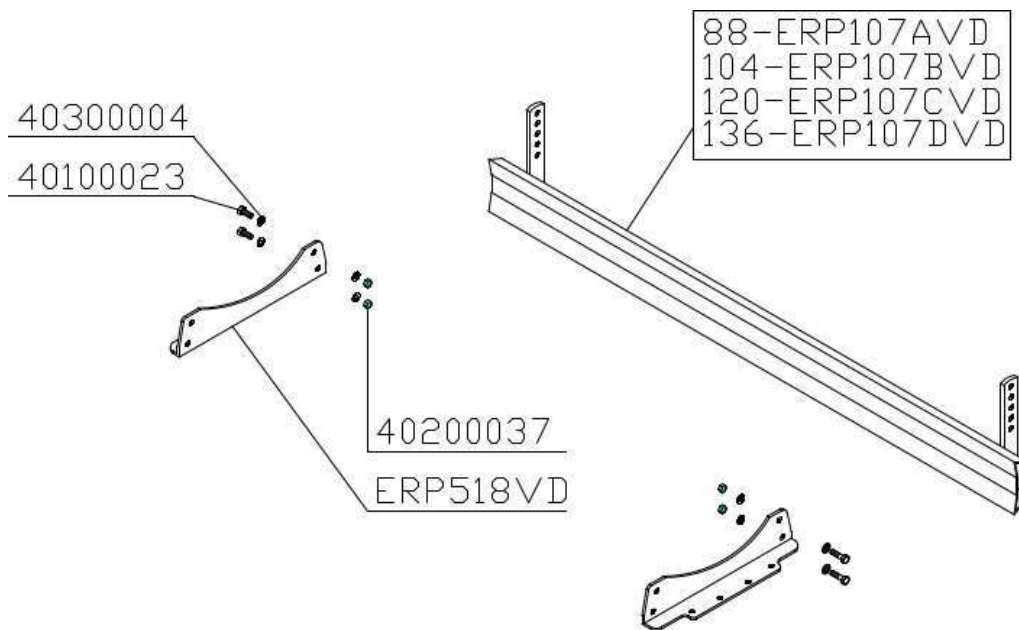
MECHANISMS ROTEX L



FRAME ROTEX L

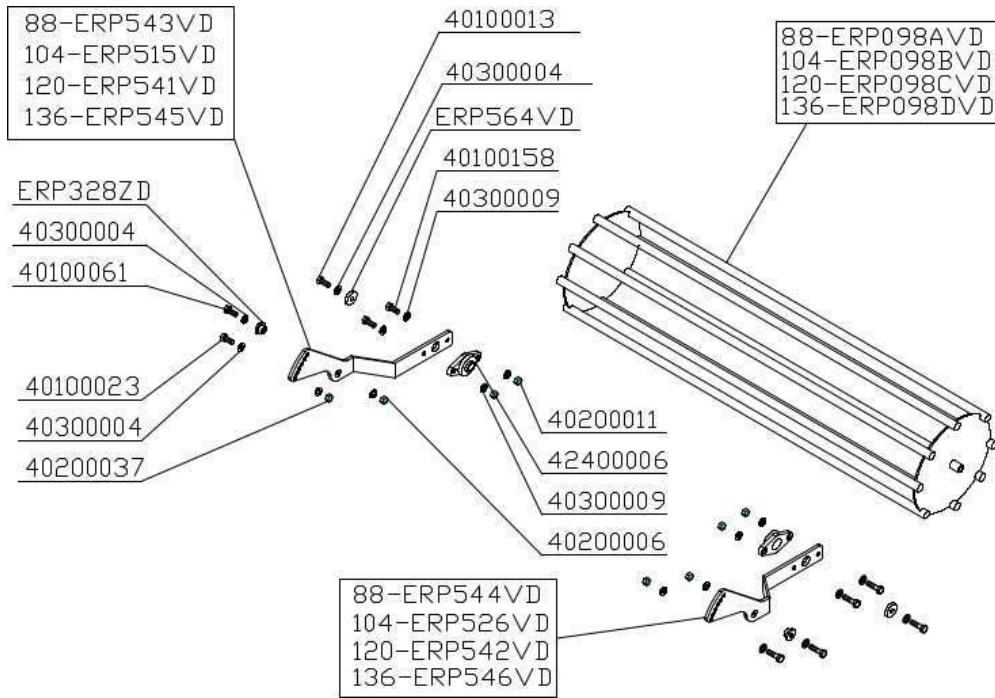


LEVELLING BLADE ROTEX L

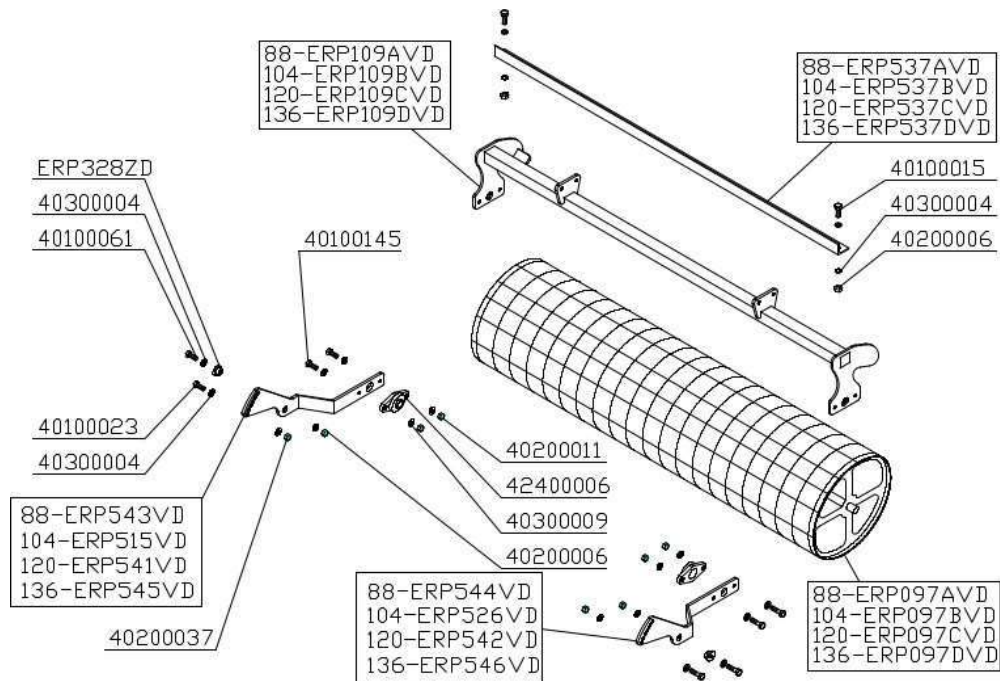


ROTARY HARROW

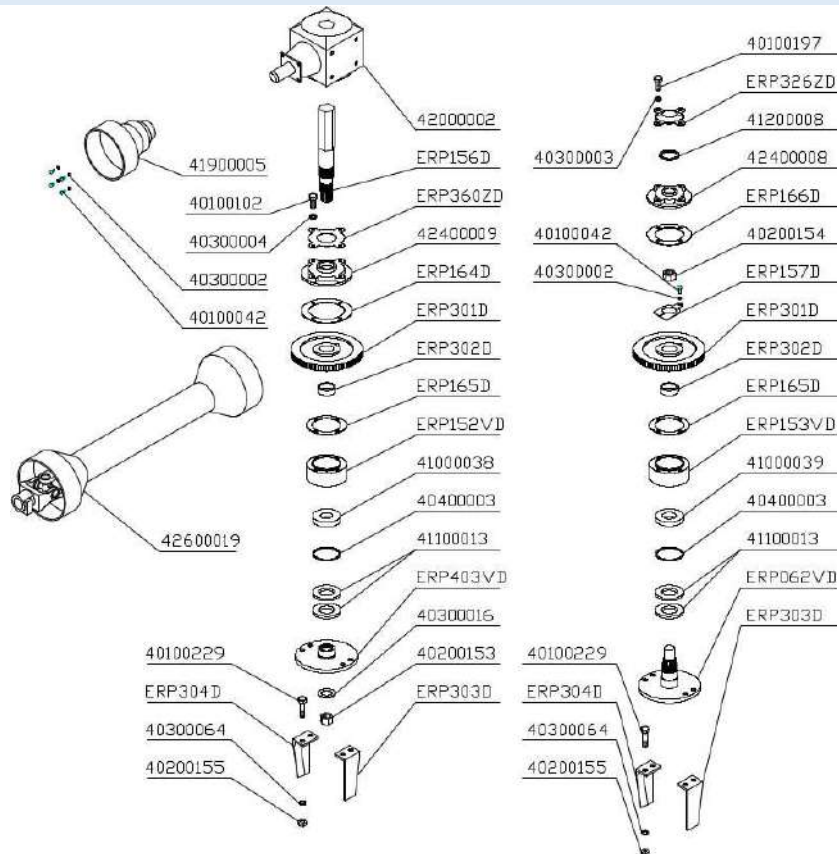
CAGE ROLLER ROTEX L



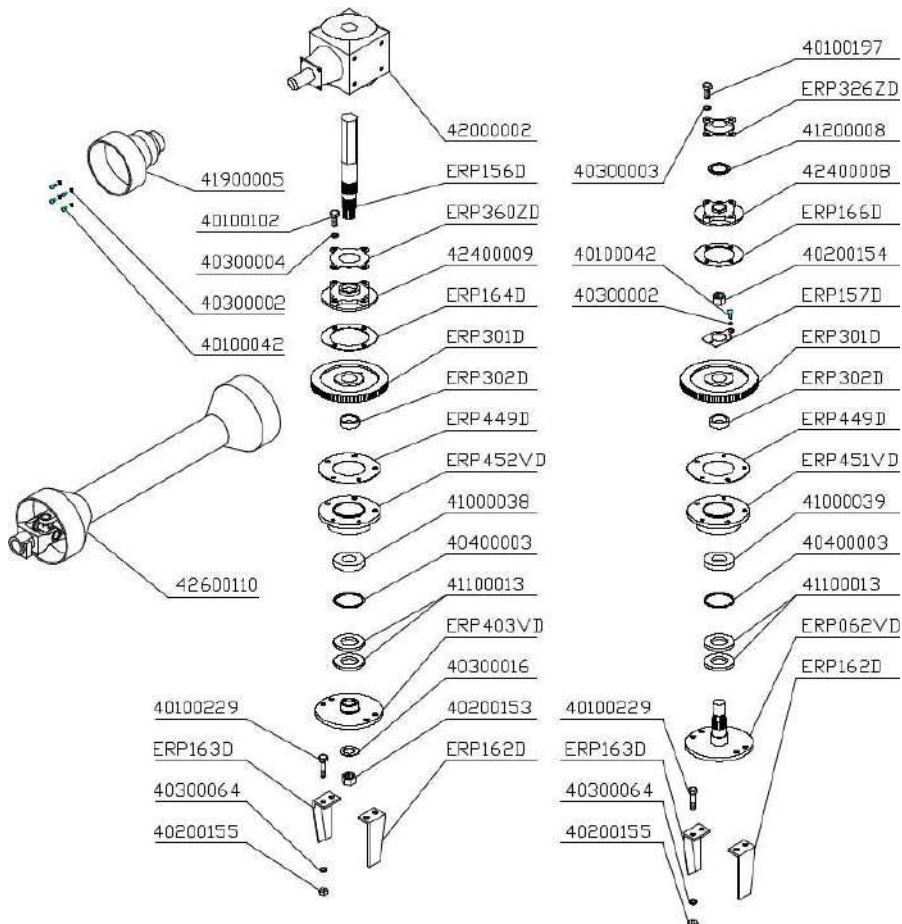
WIRE ROLLER ROTEX L



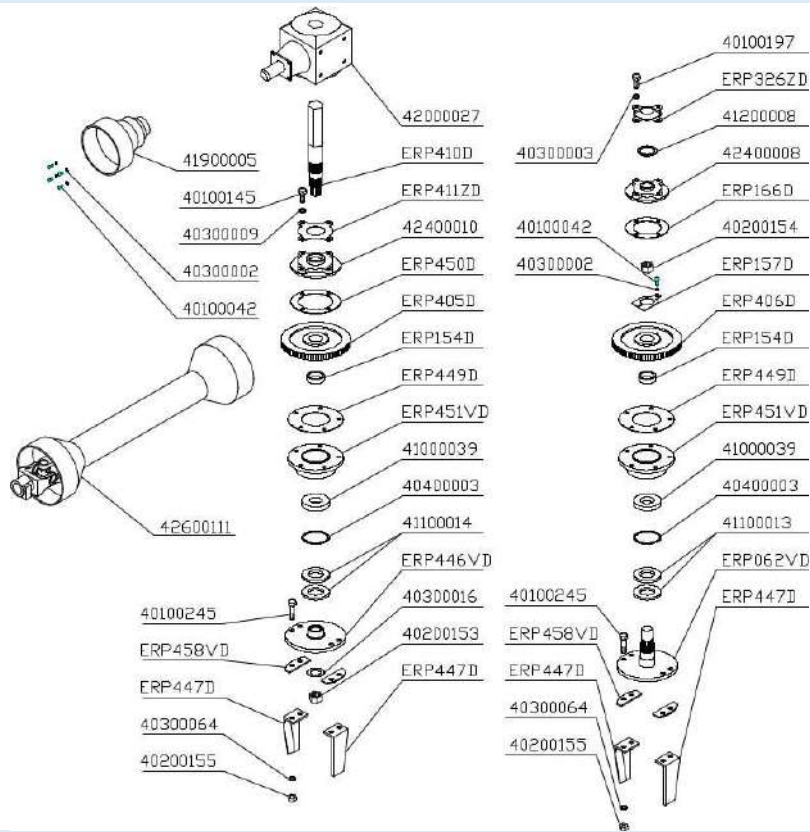
MECHANISMS ROTEX 90-110-130-150



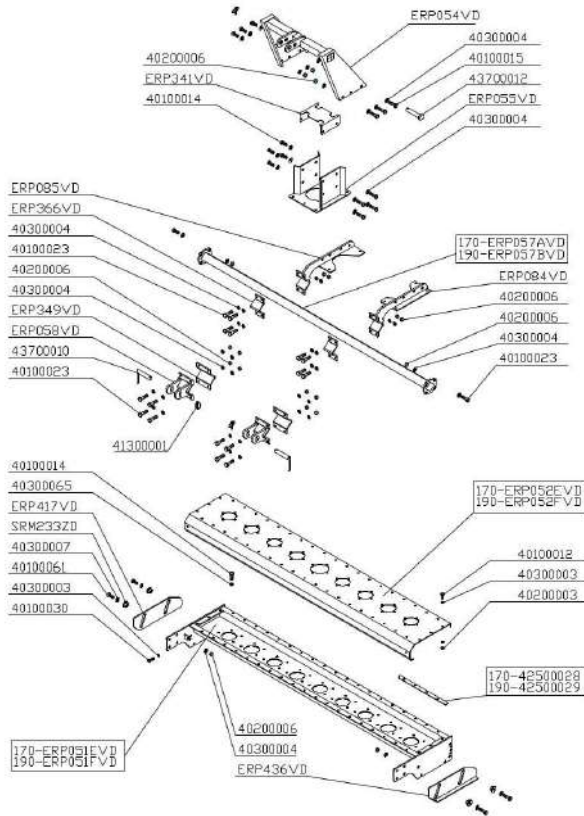
MECHANISMS ROTEX 170-190



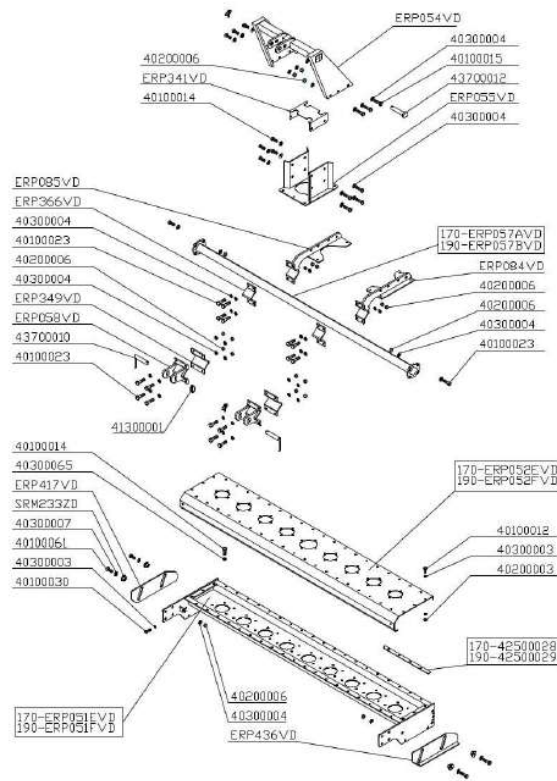
MECHANISMS ROTEX 230-250



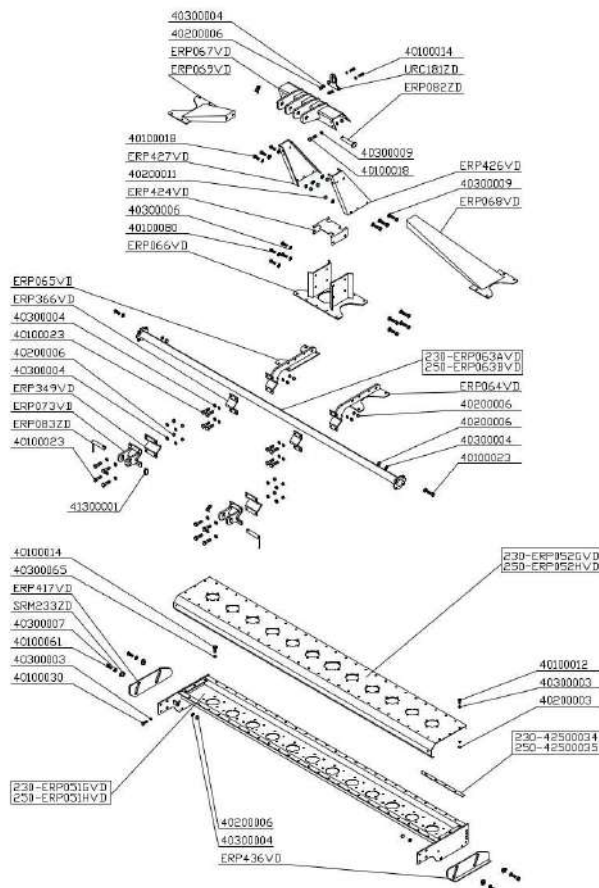
FRAME ROTEX 90-110-130-150



FRAME ROTEX 170-190

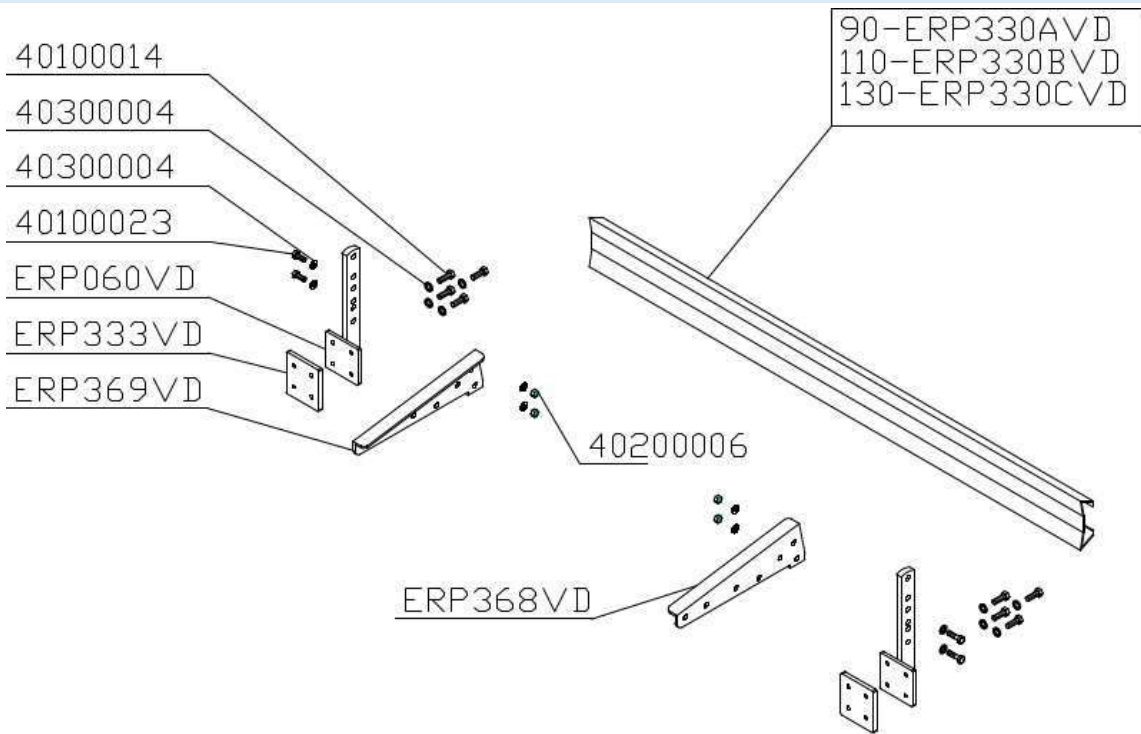


FRAME ROTEX 230-250

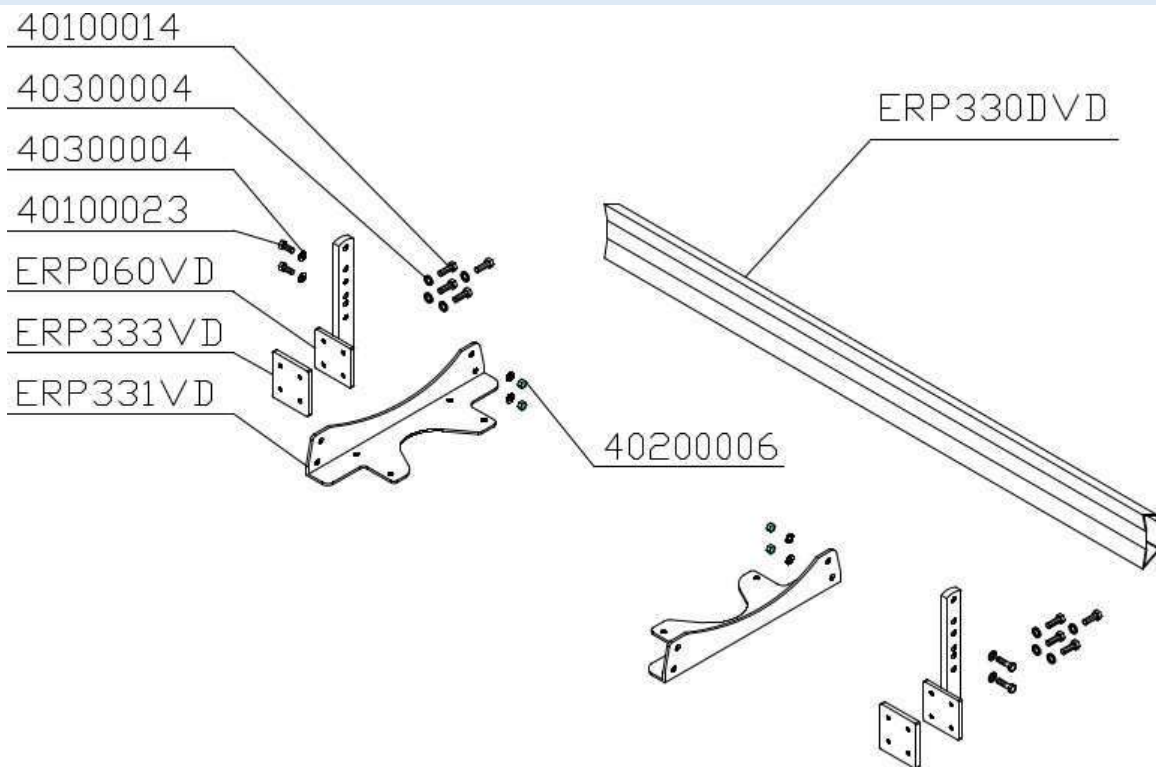


ROTARY HARROW

LEVELLING BLADE ROTEX 90-110-130

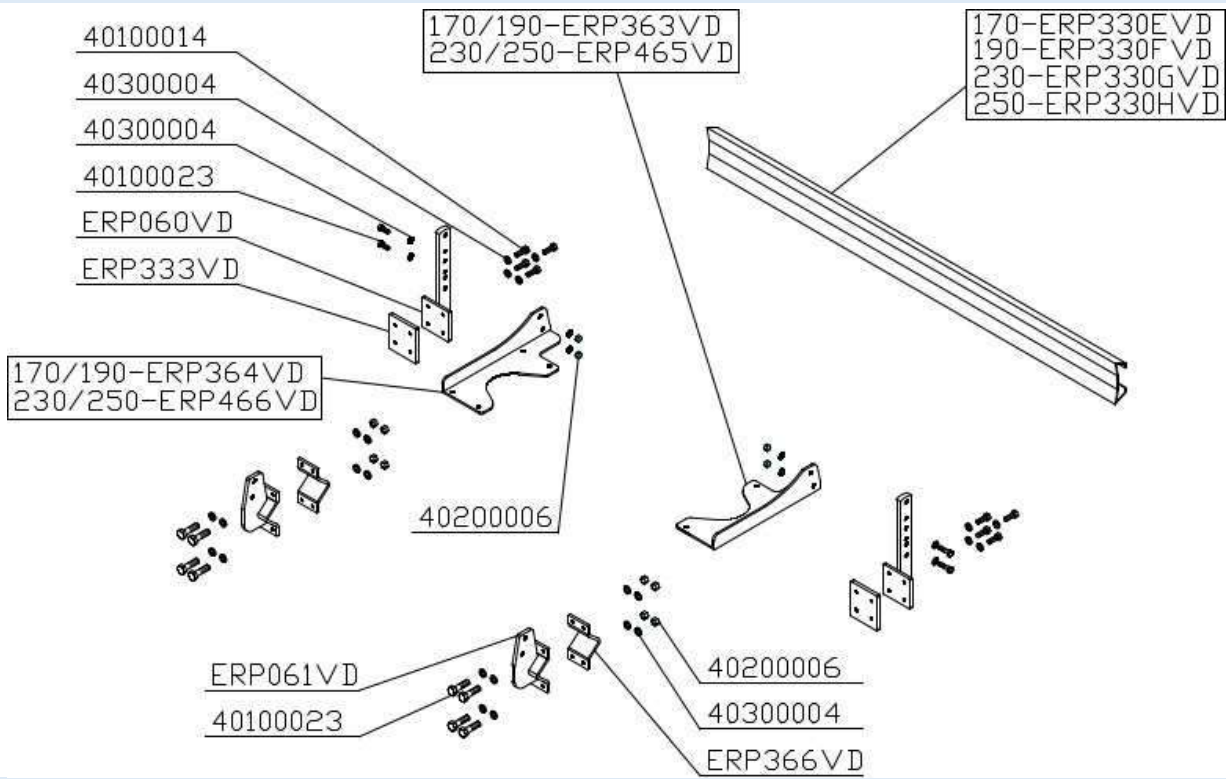


LEVELLING BLADE ROTEX 150

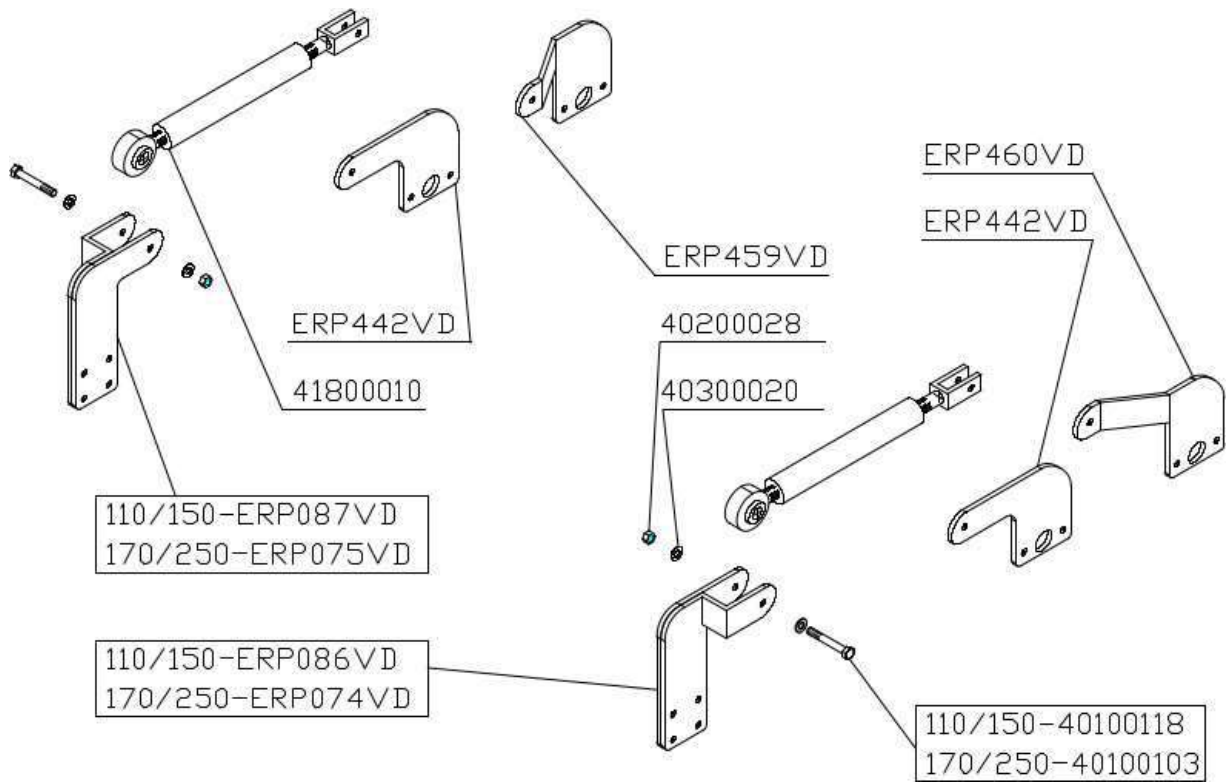


ROTARY HARROW

LEVELLING BLADE ROTEX 170-190-230-250

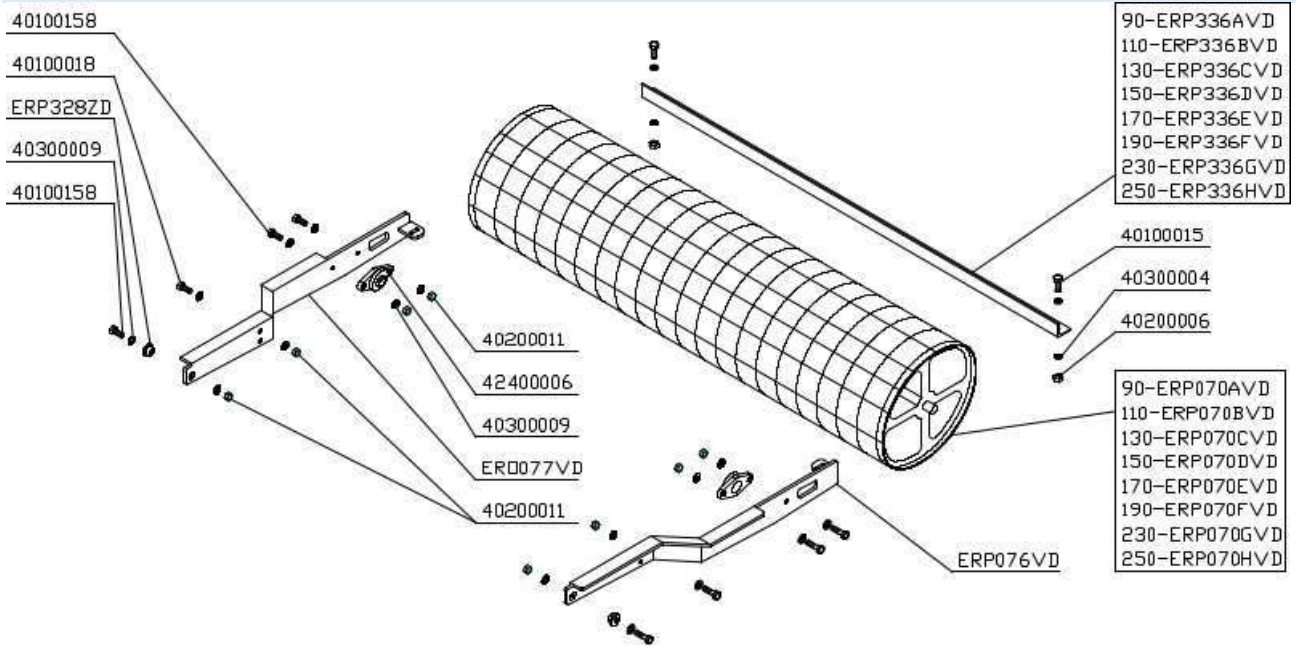


ROLLER LIFT ROTEX 110-130-150-170-210-130-250

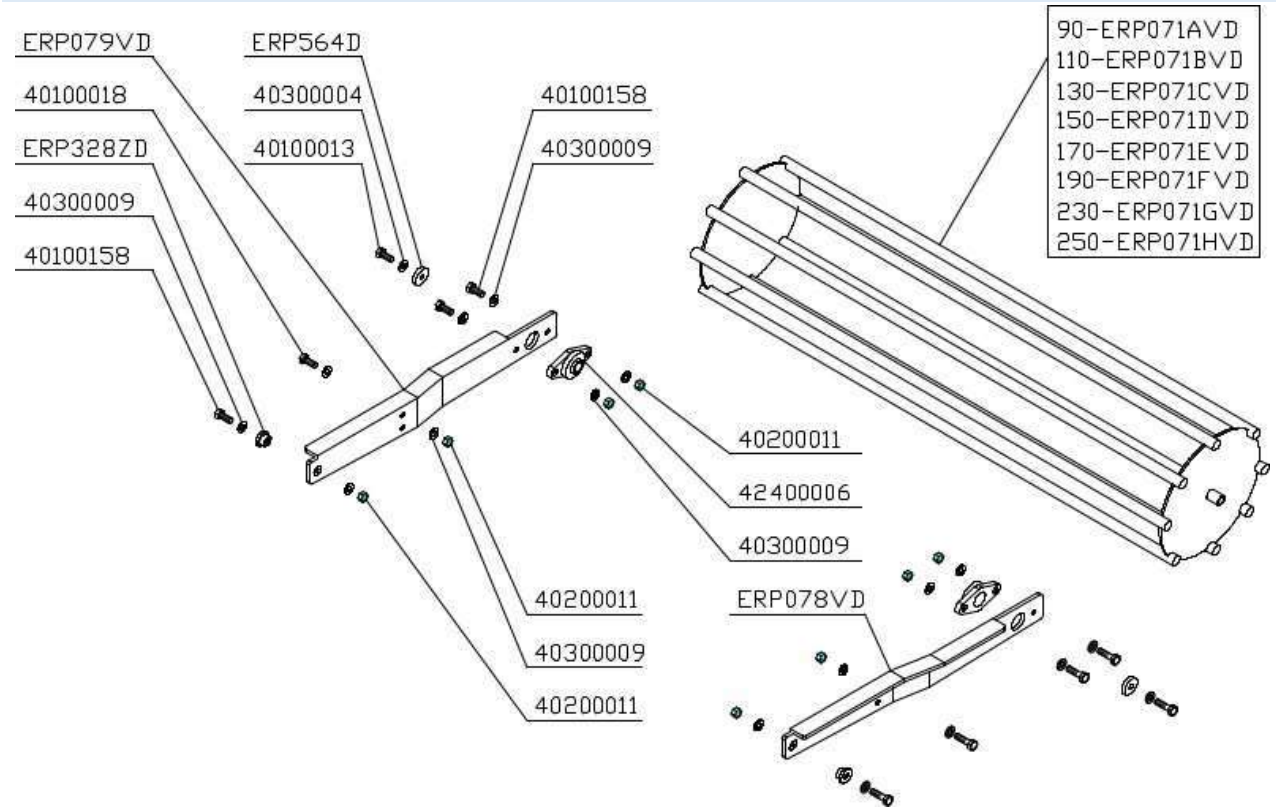


ROTARY HARROW

WIRE ROLLER ROTEX 90-110-130-150-170-190-230-250

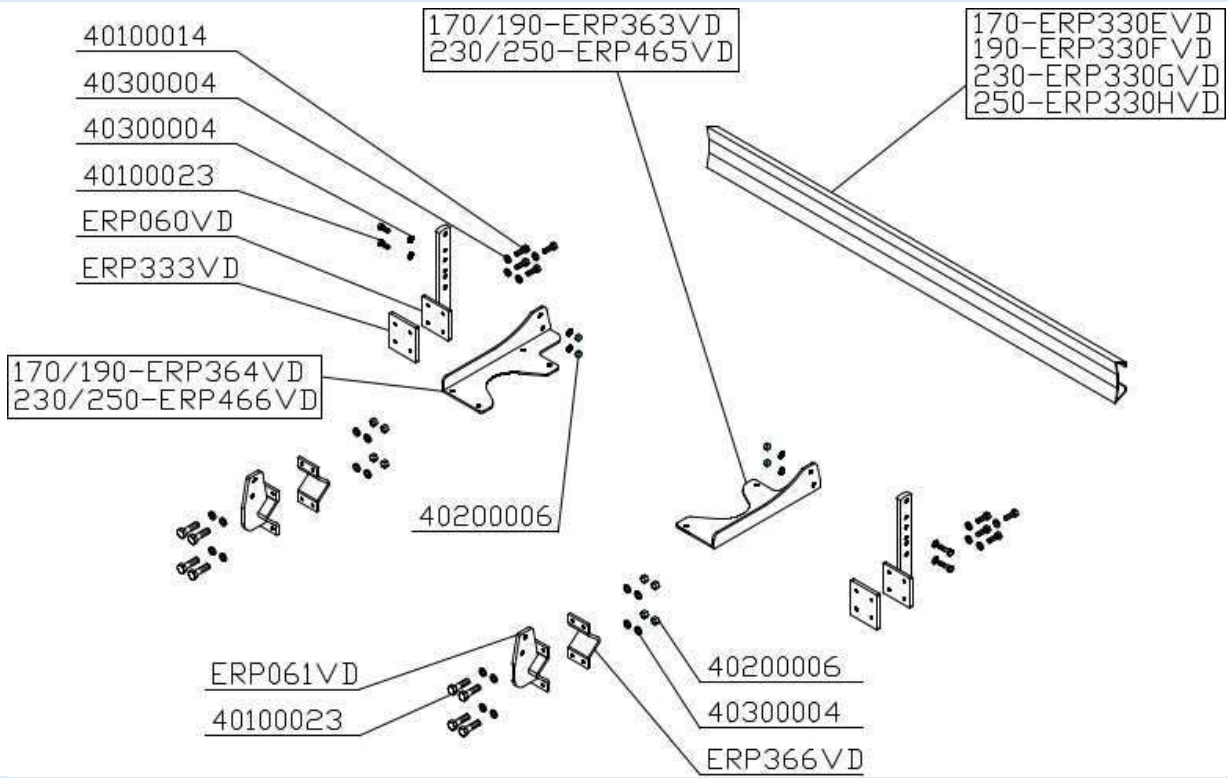


CAGE ROLLER ROTEX 90-110-130-150-170-190-230-250

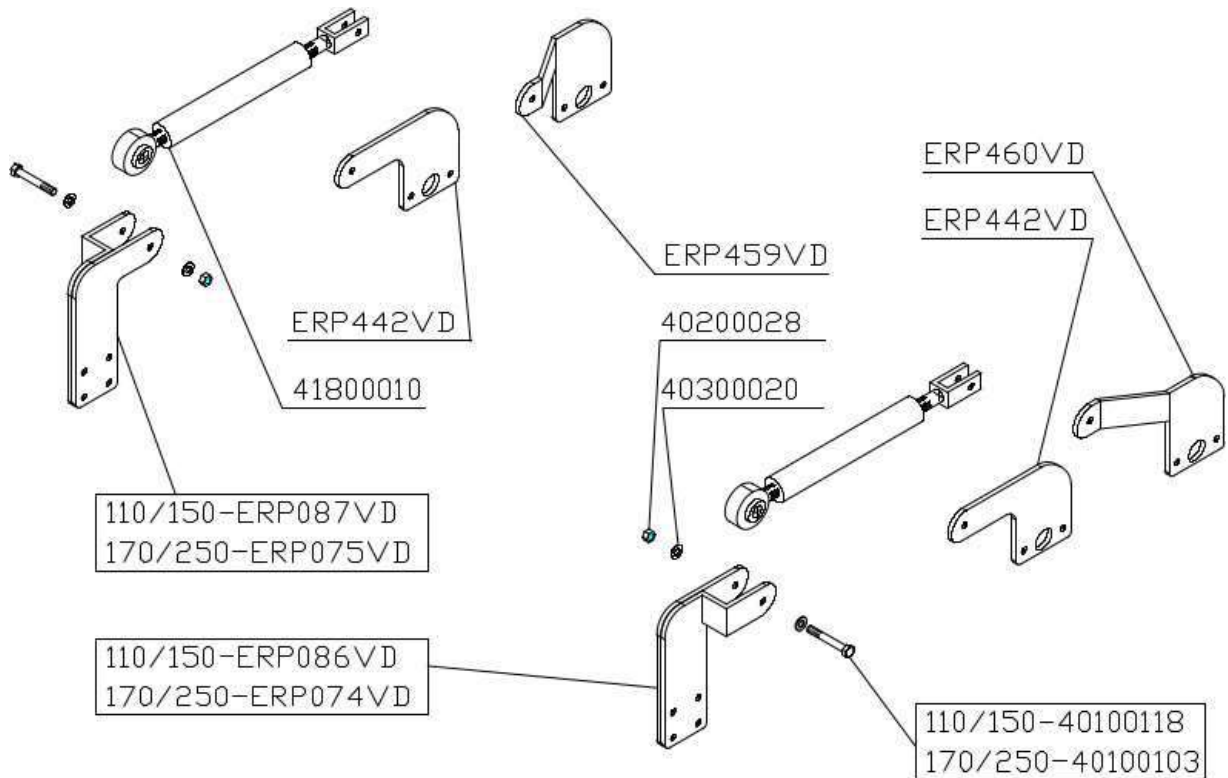


ROTARY HARROW

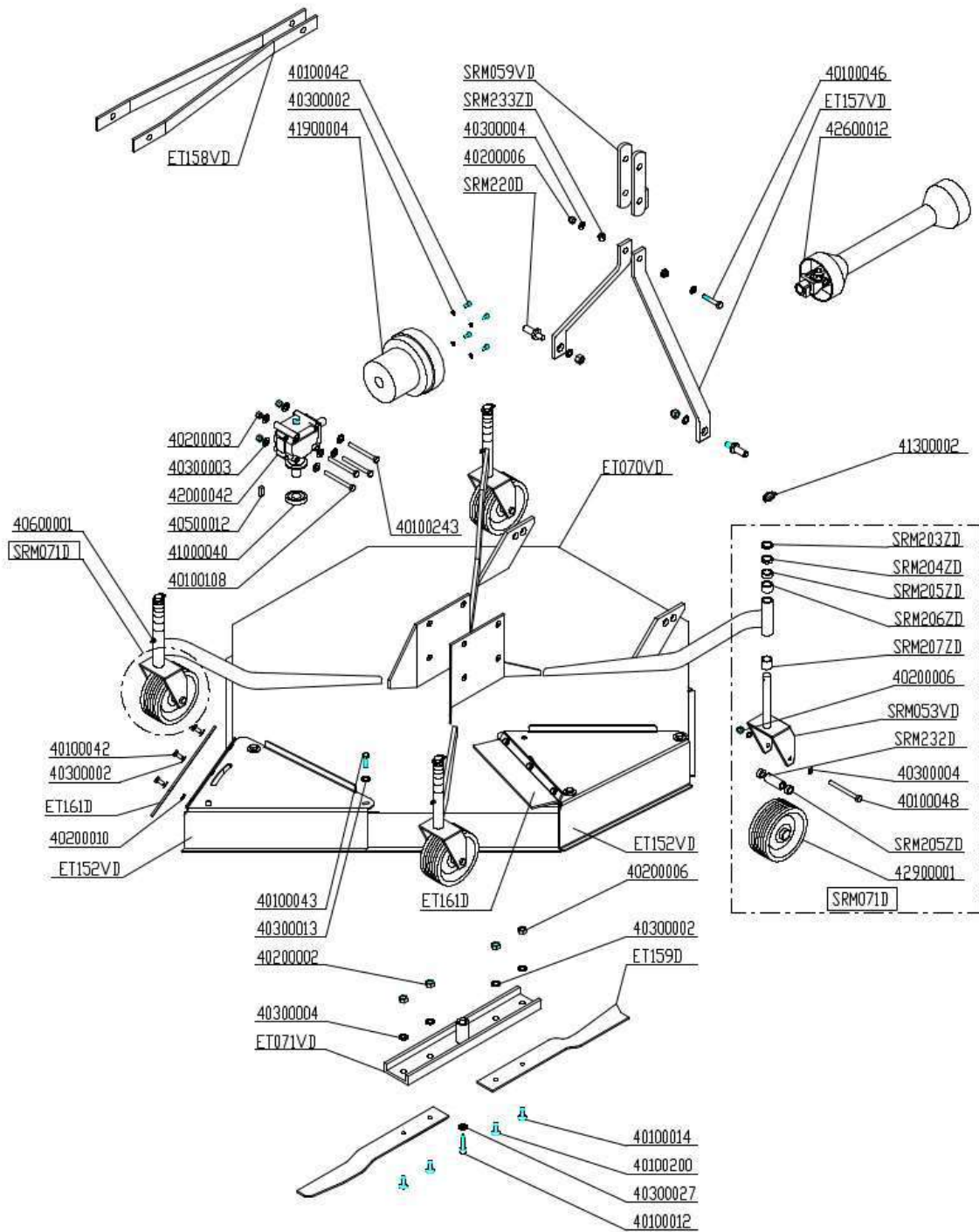
LEVELLING BLADE ROTEX 170-190-230-250



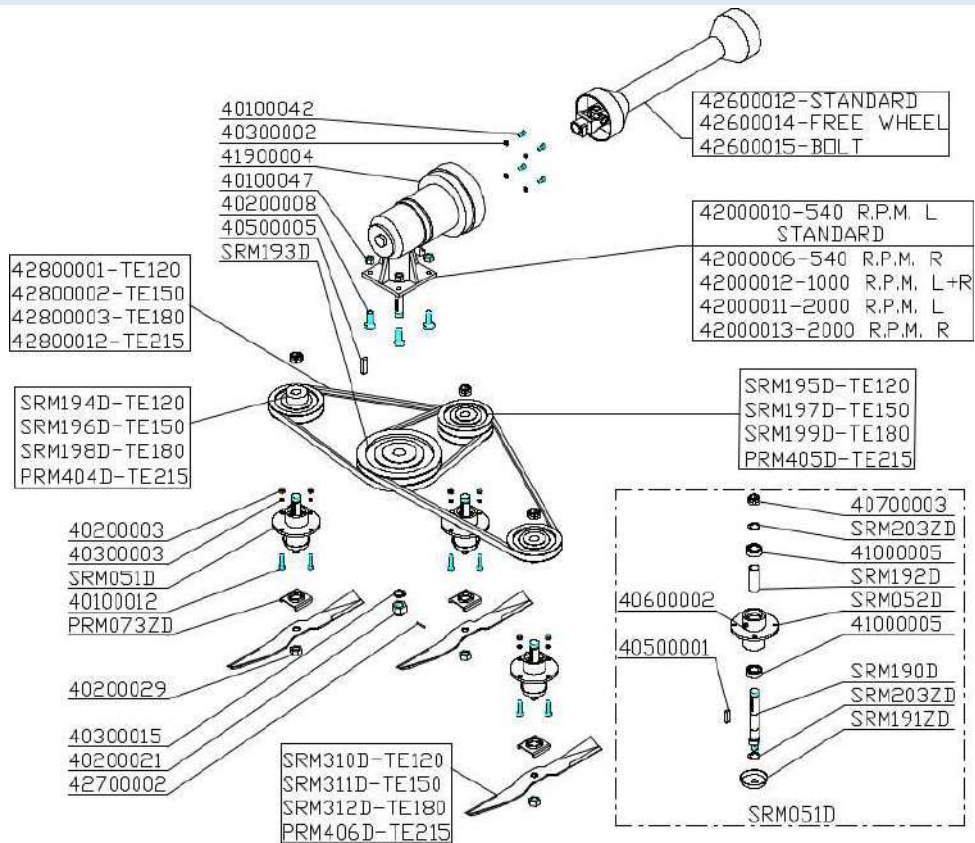
ROLLER LIFT ROTEX 110-130-150-170-210-130-250



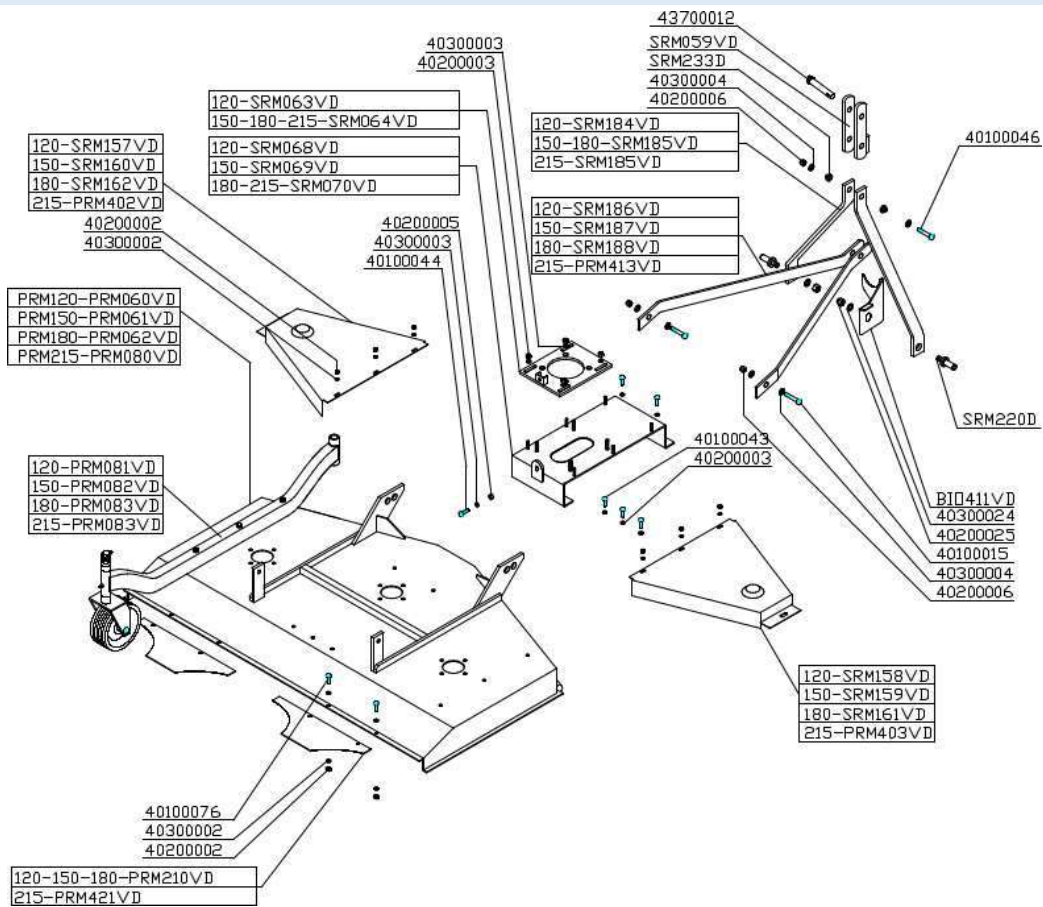
MECHANISMS-FRAME ET 100



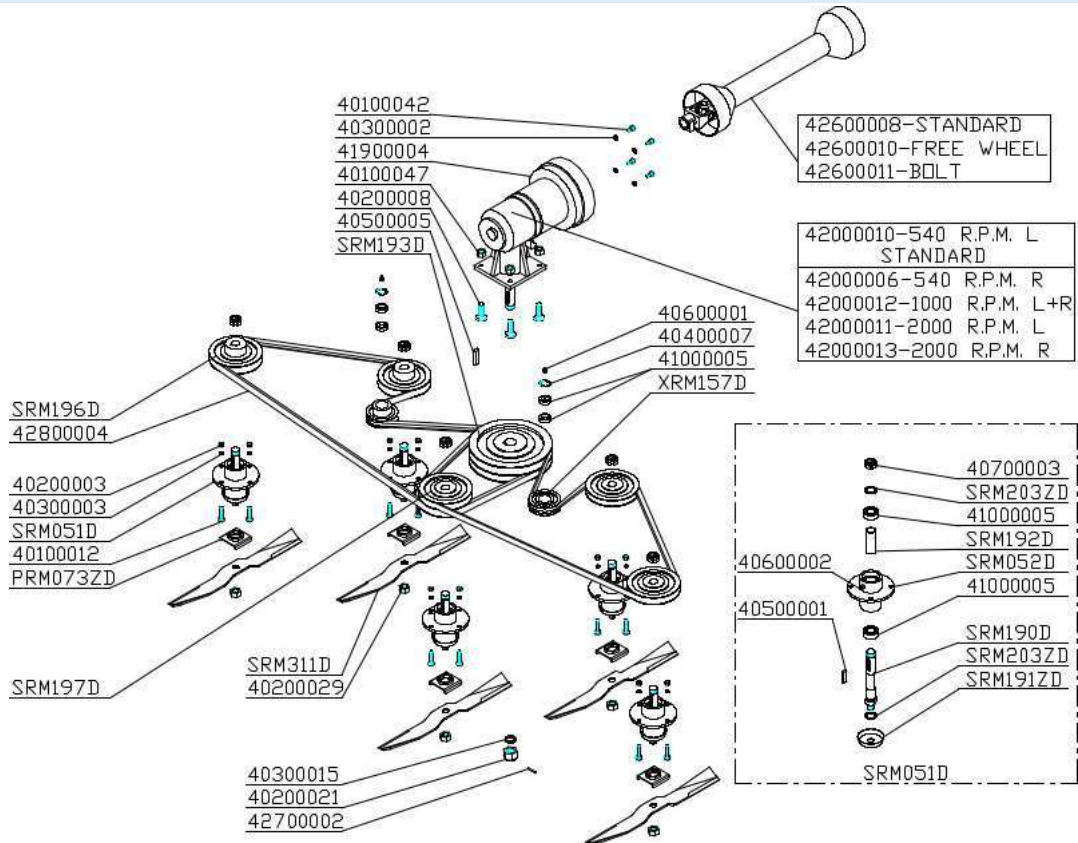
MECHANISMS PRM



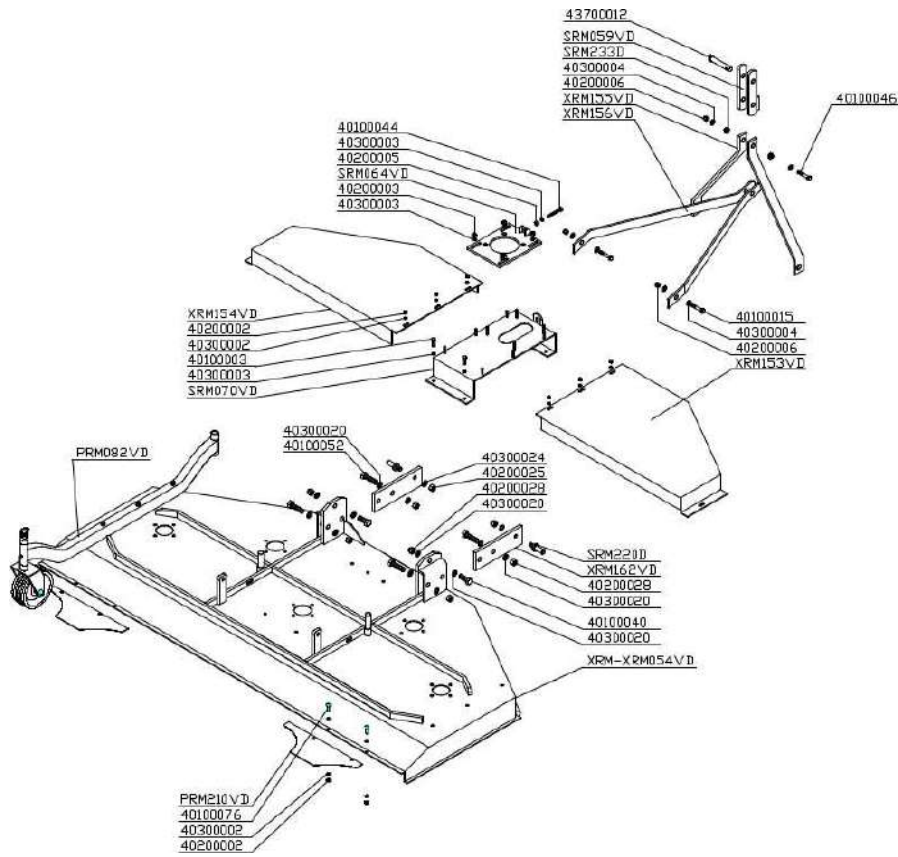
FRAME PRM



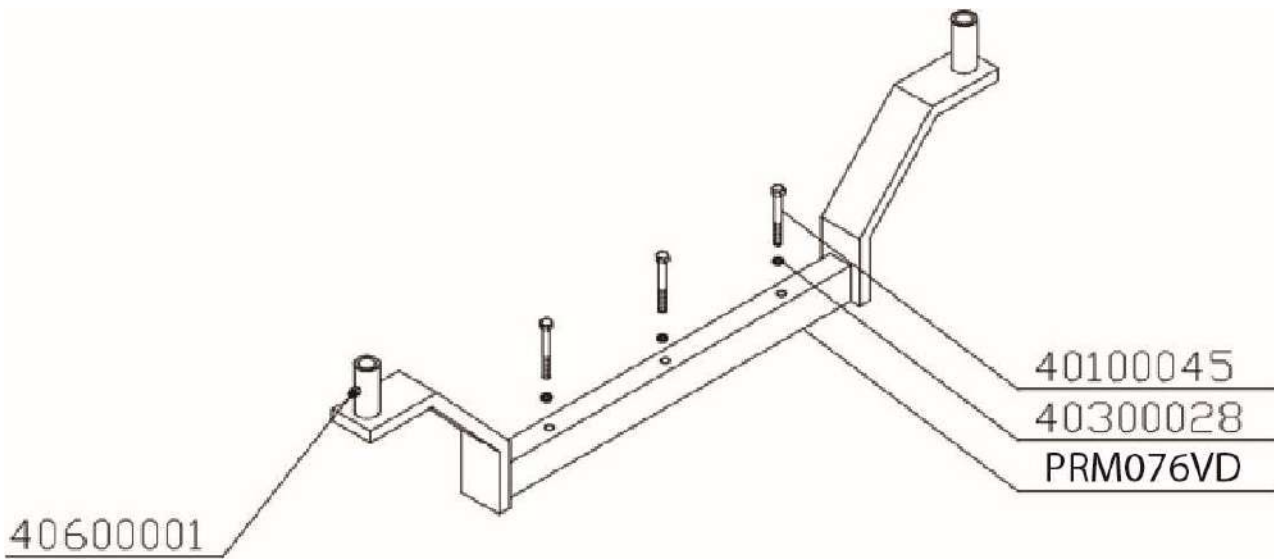
MECHANISMS XRM



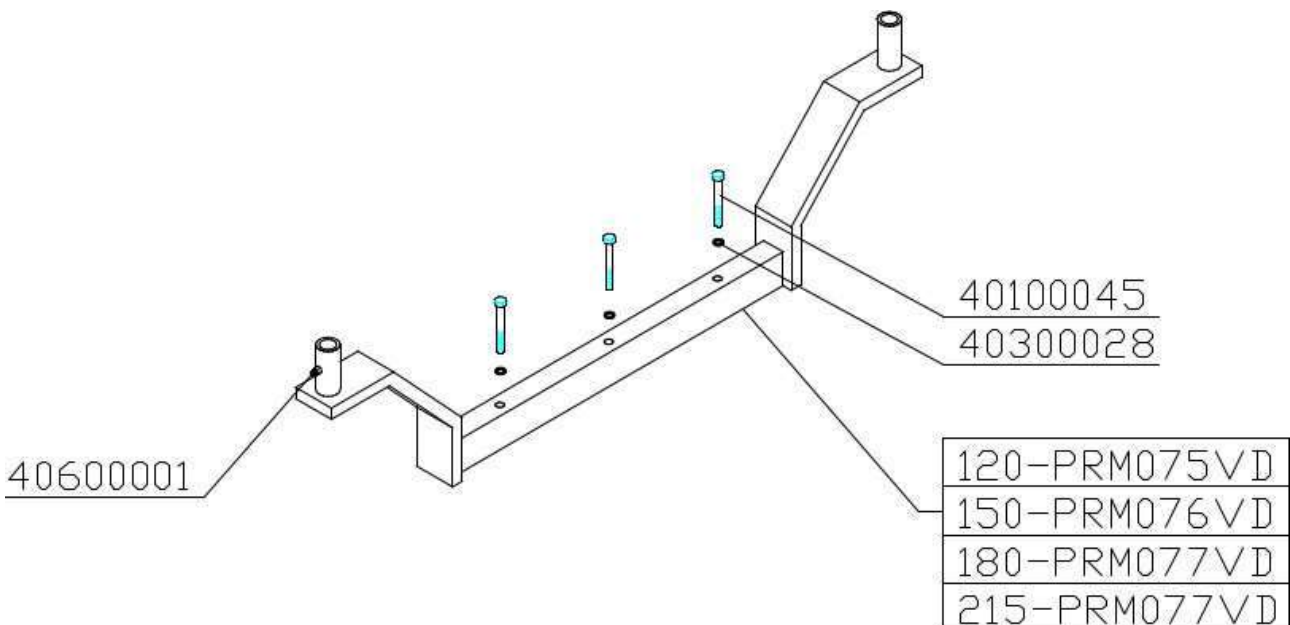
FRAME XRM



XRM HARD RUBBER AND PNEUMATIC TIRE WHEEL CARRIER

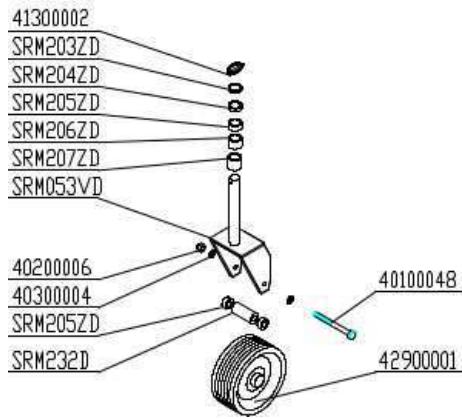


PRM HARD RUBBER AND PNEUMATIC TIRE WHEEL CARRIER



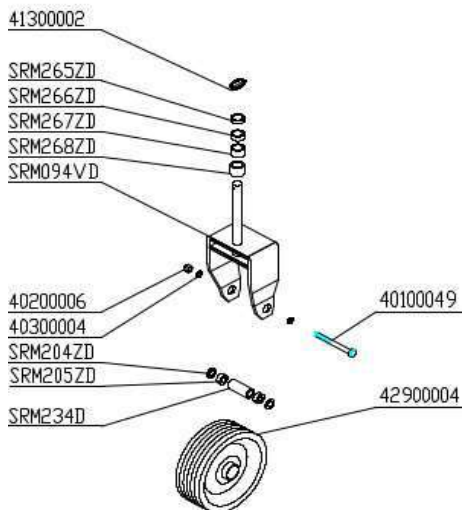
WHEEL COMPONENTS

∅210 - SRM071D



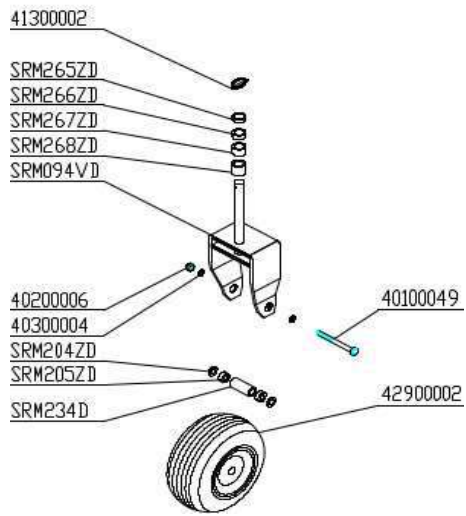
STANDARD WHEEL

∅310 - SRM116D



HARD RUBBER WHEEL

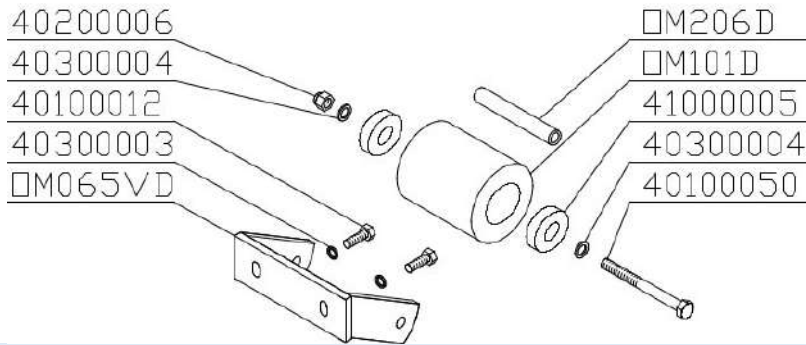
Ø330 - SRM115D



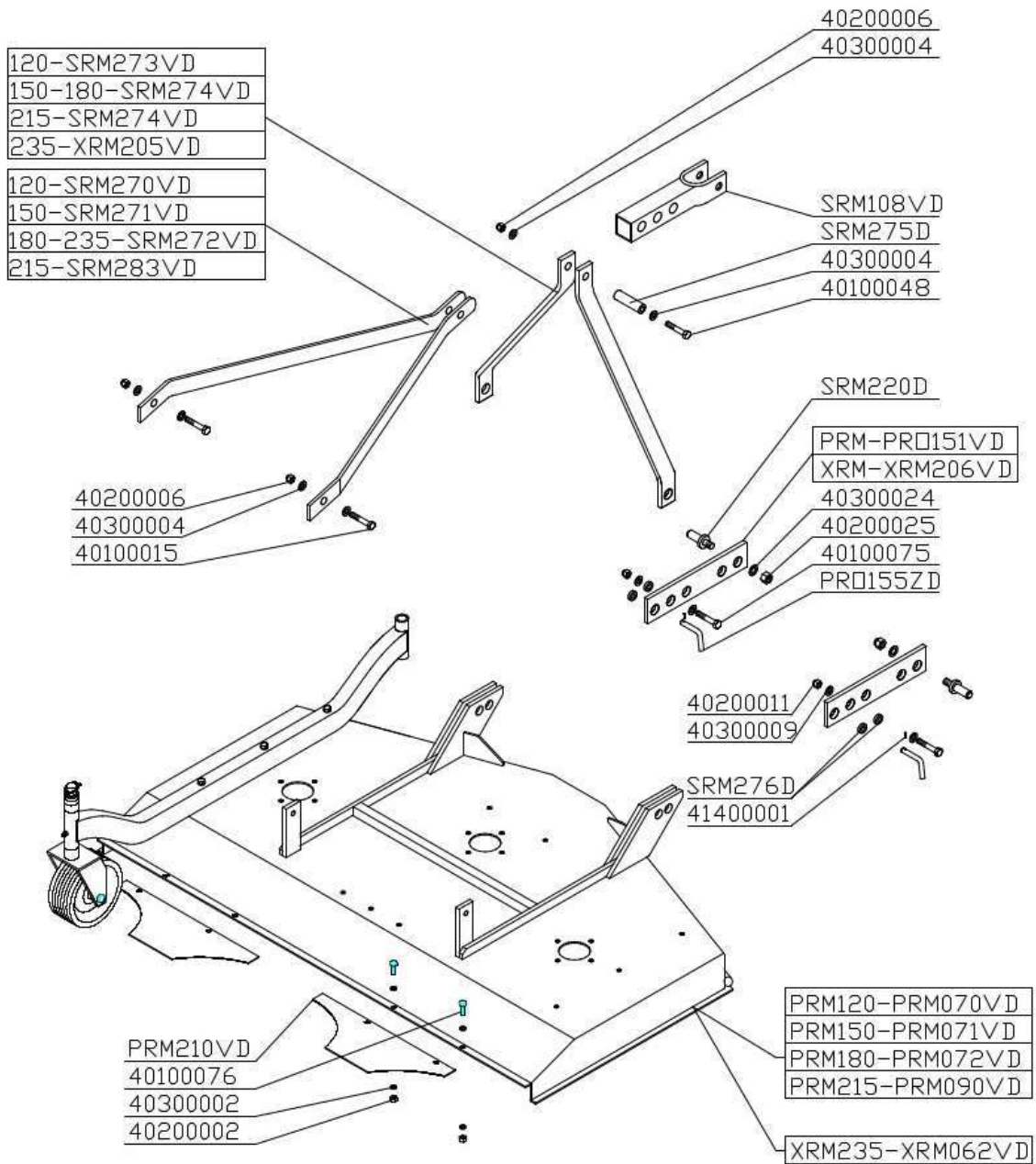
PNEUMATIC TIRE WHEEL

FRONT ROLLER COMPONENTS

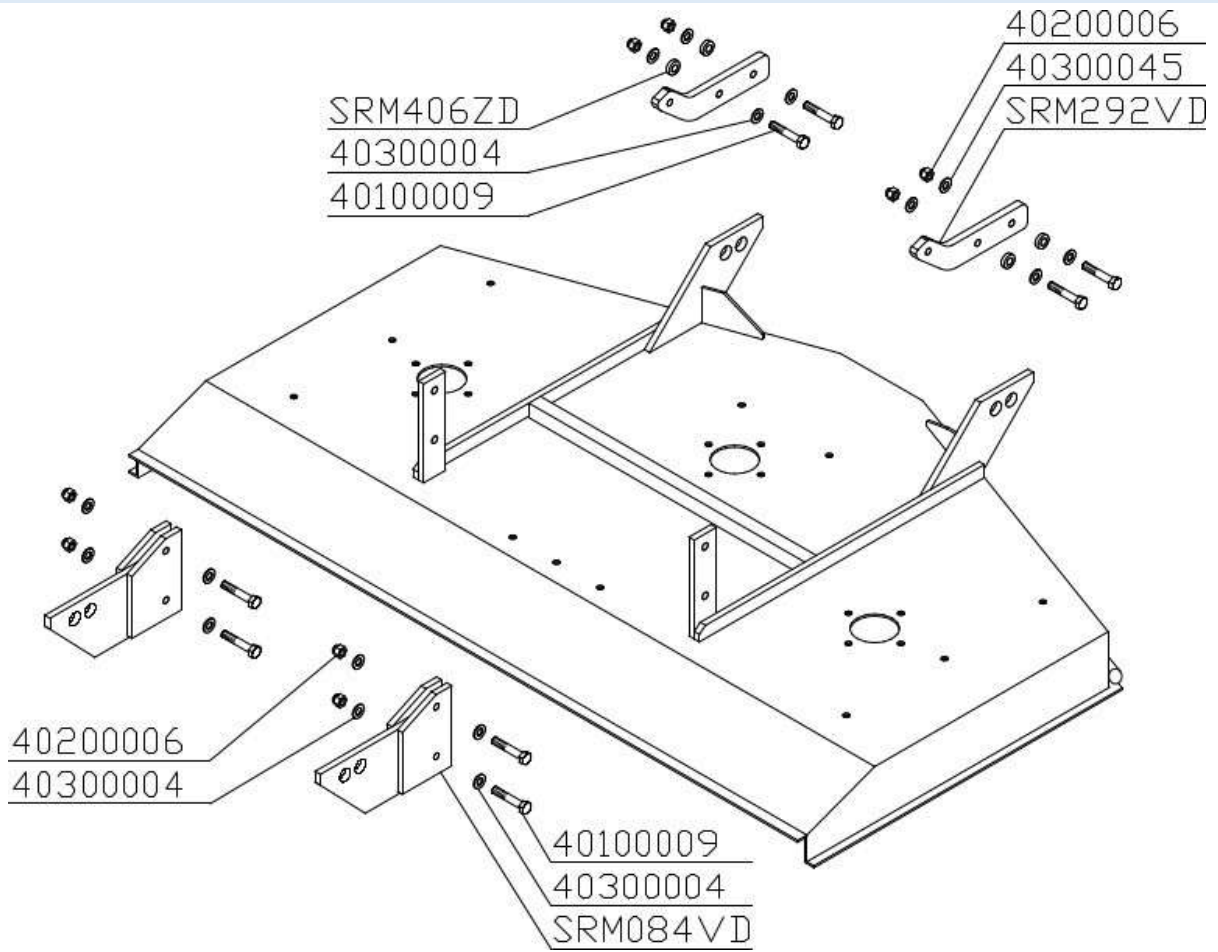
□M100D



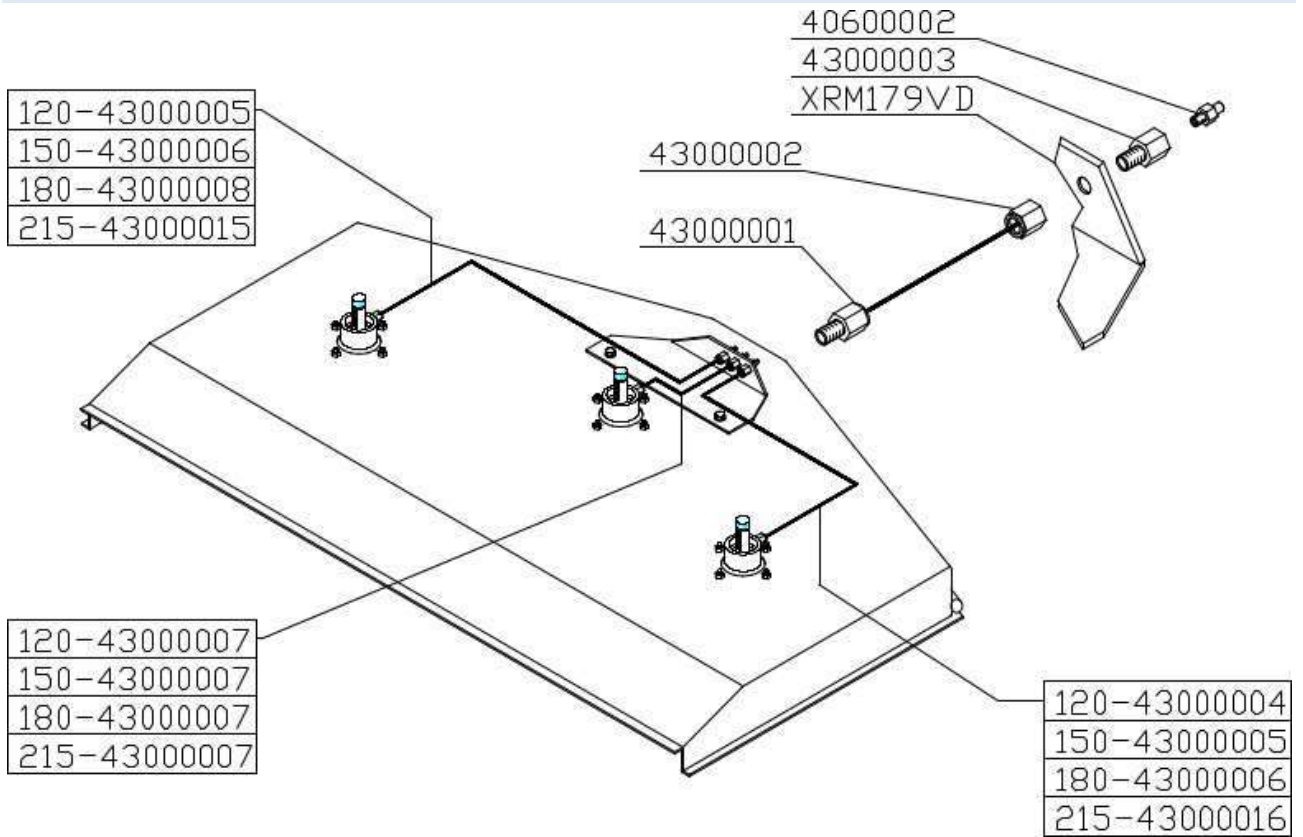
PRM-XRM WITH EXTENSIONS FRAME



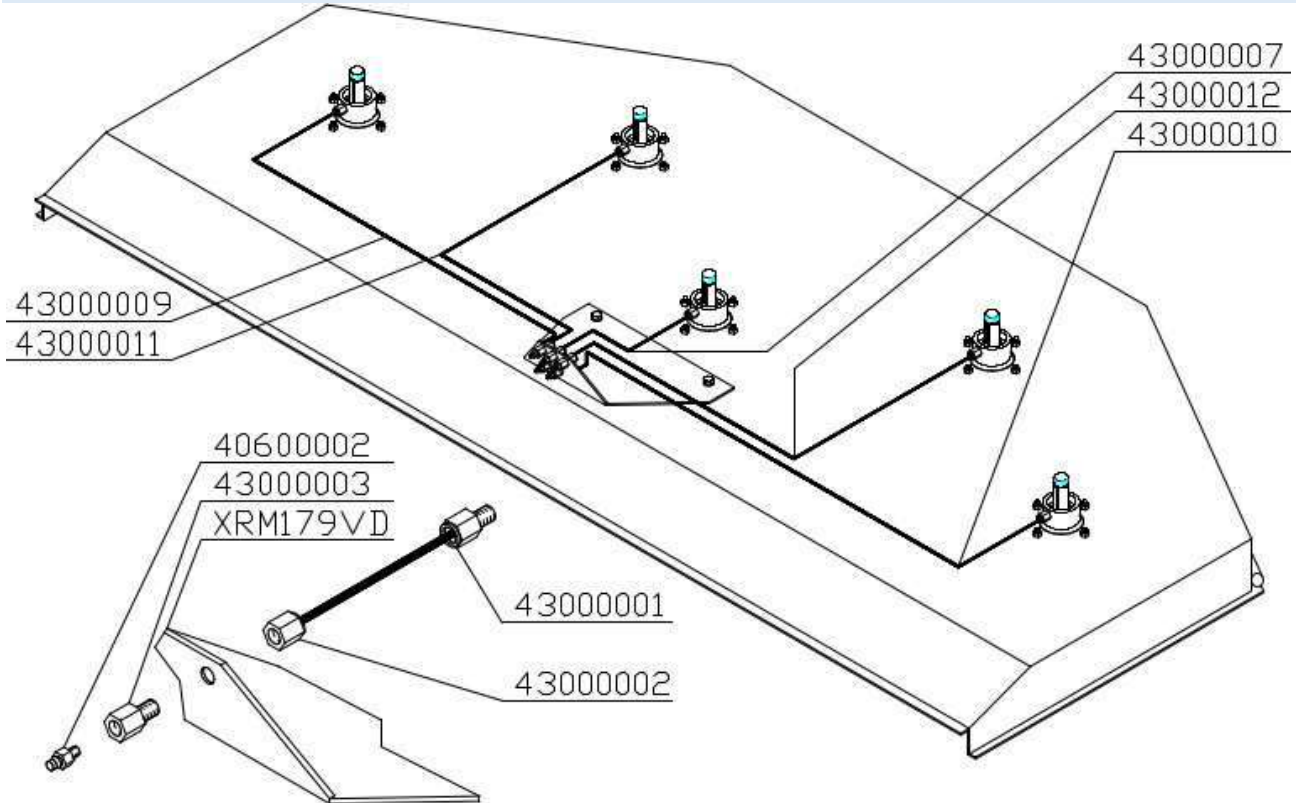
REAR - FRONT FINISHING MOWER TRANSFORMATION KIT



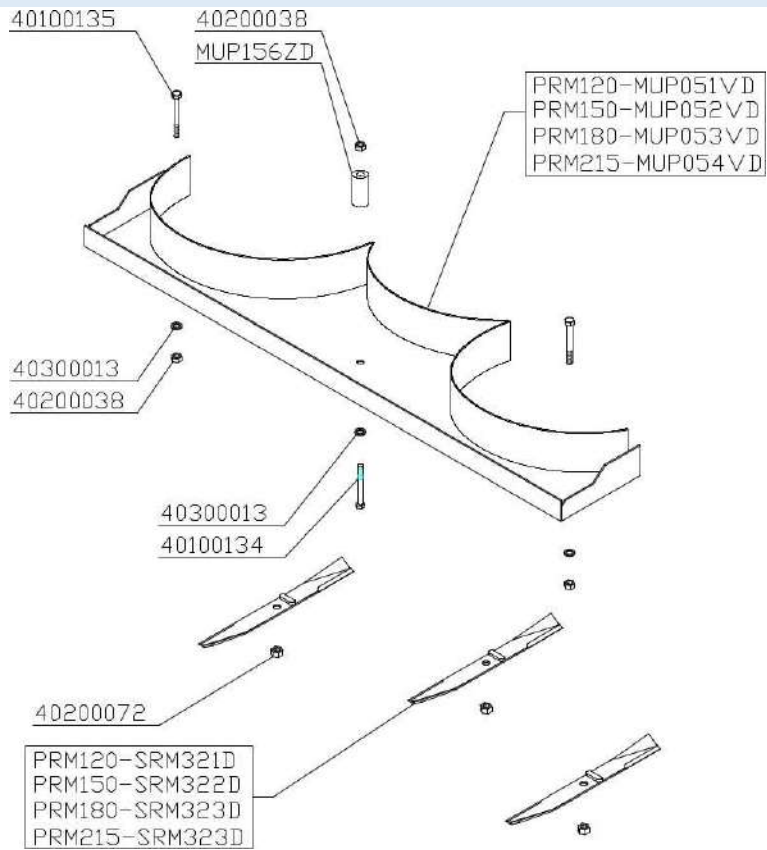
PRM CENTRAL LUBRICATION KIT



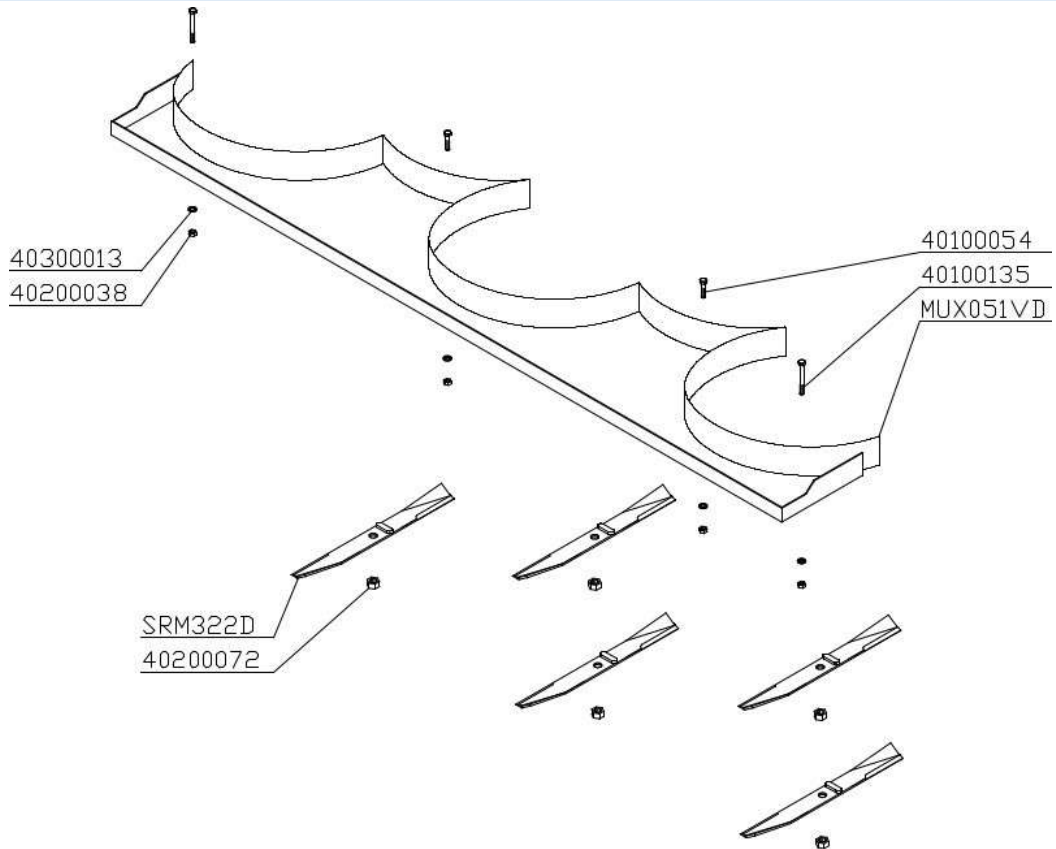
XRM CENTRAL LUBRICATION KIT



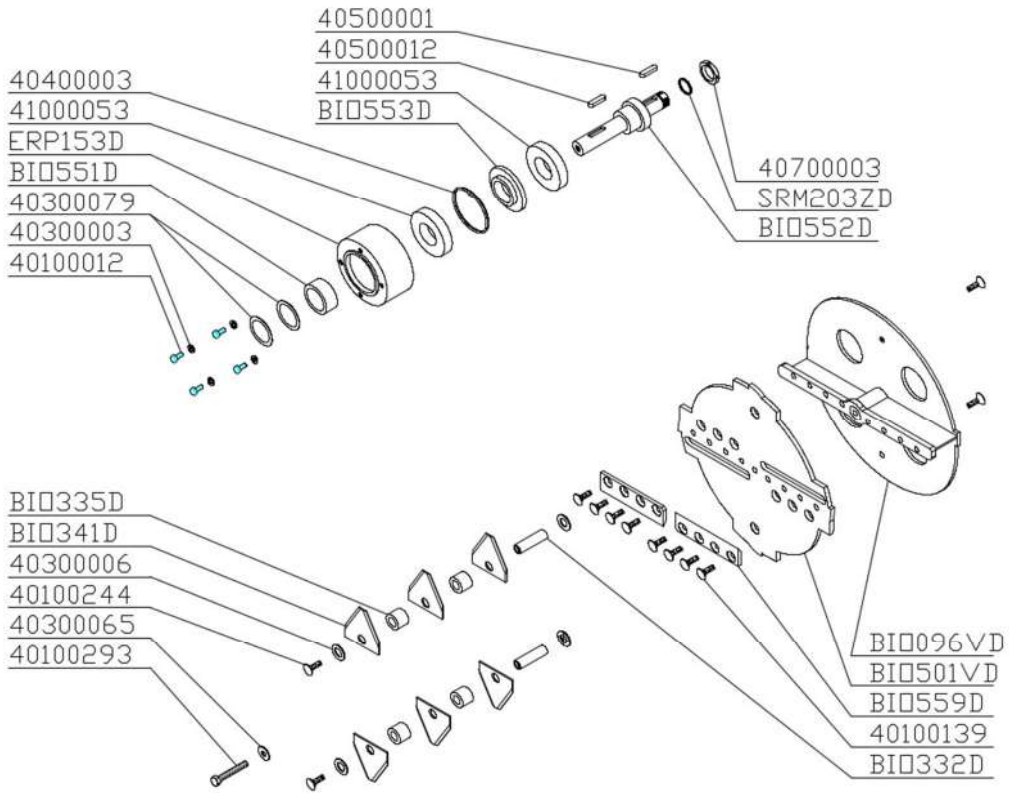
PRM MULCHING KIT



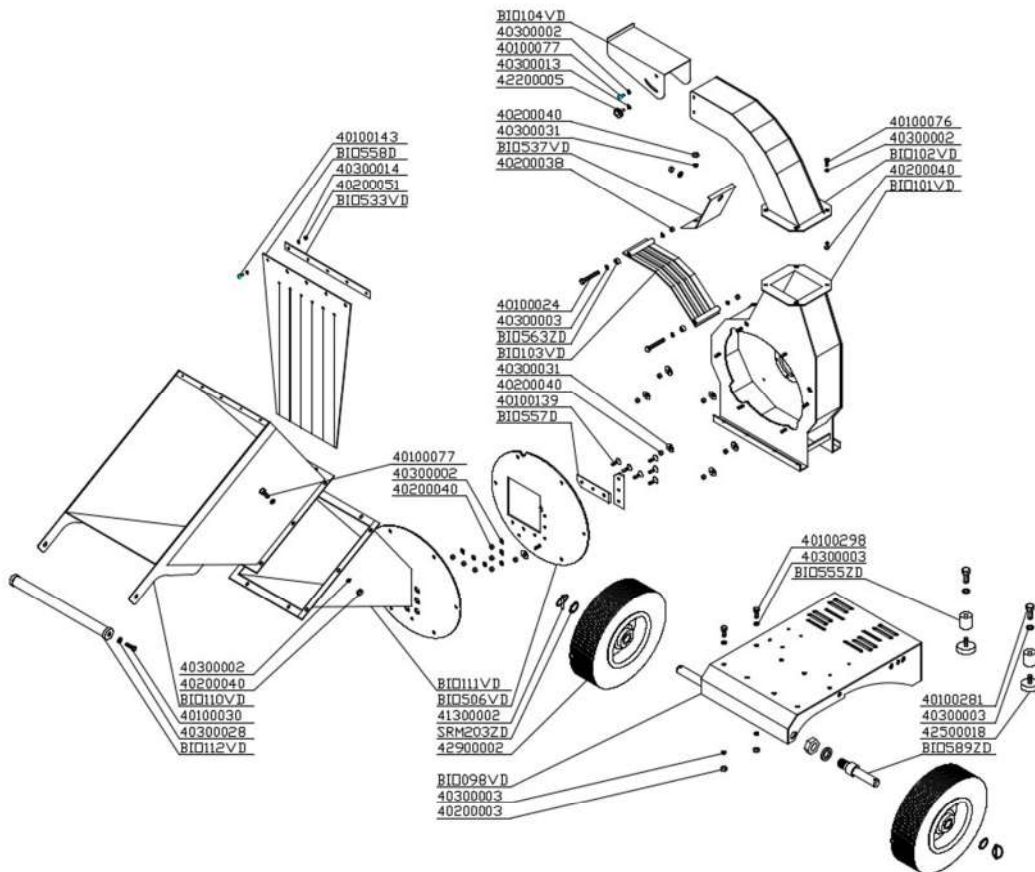
XRM MULCHING KIT



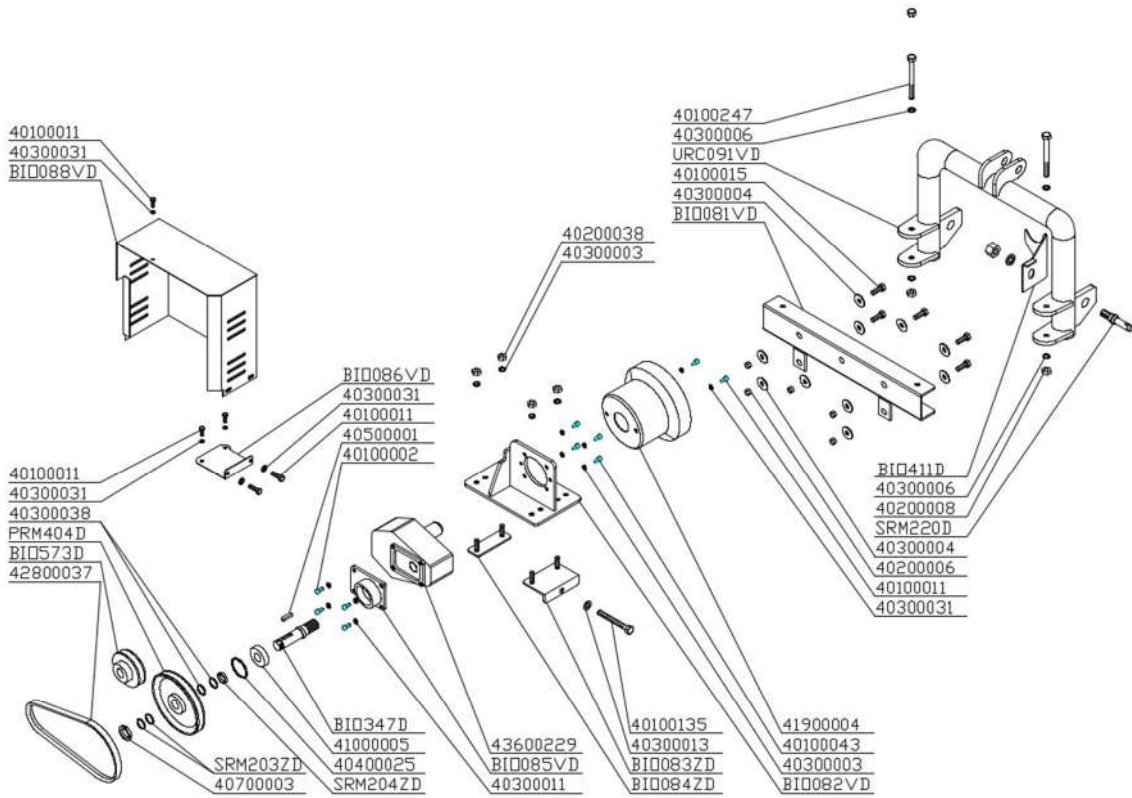
MECHANISMS SCUTUM



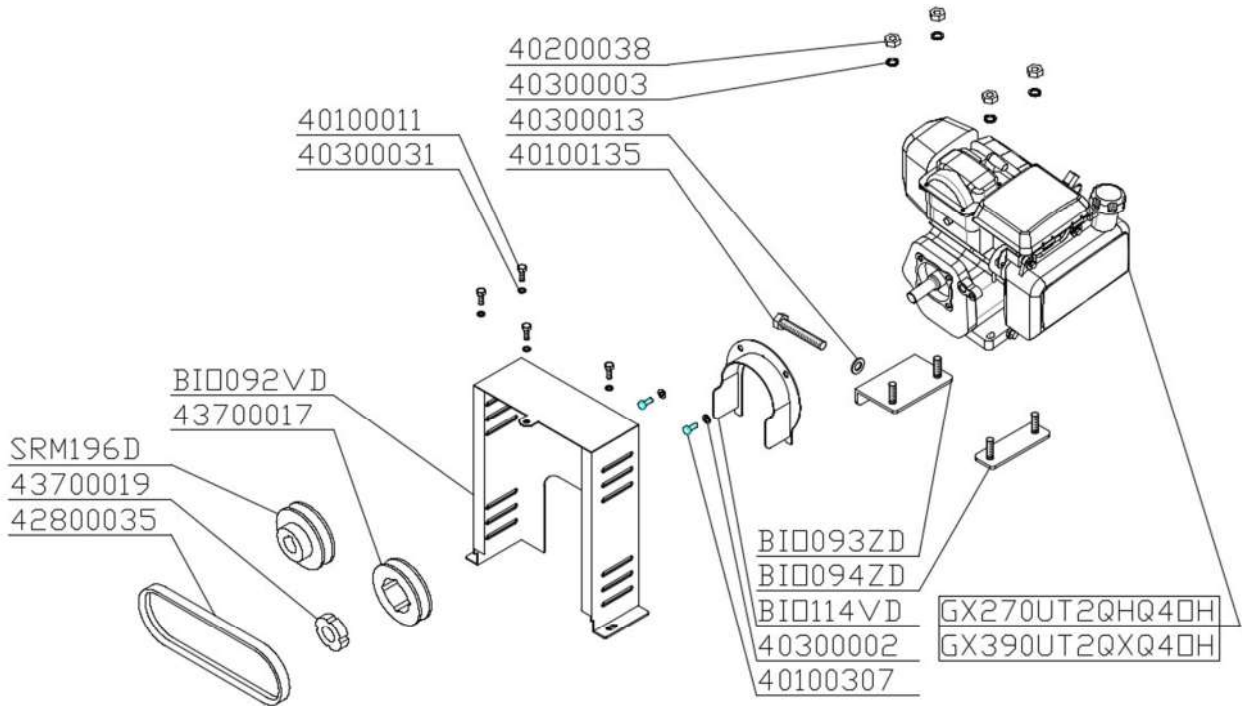
FRAME SCUTUM



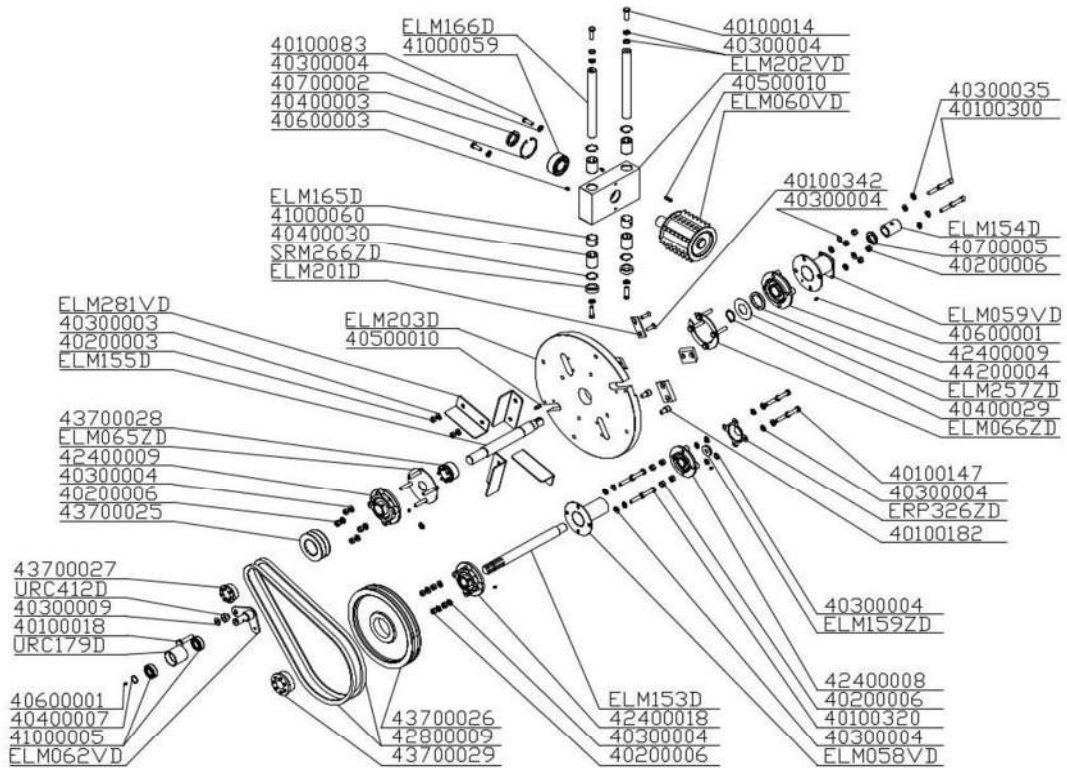
KIT PTO SCUTUM



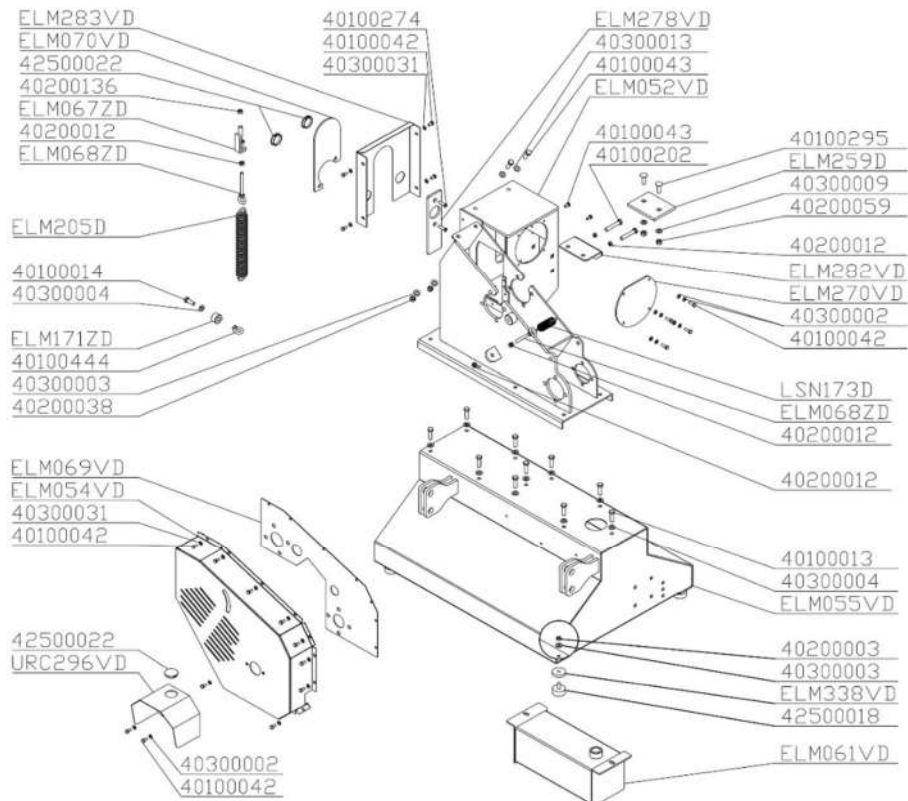
KIT ENGINE SCUTUM



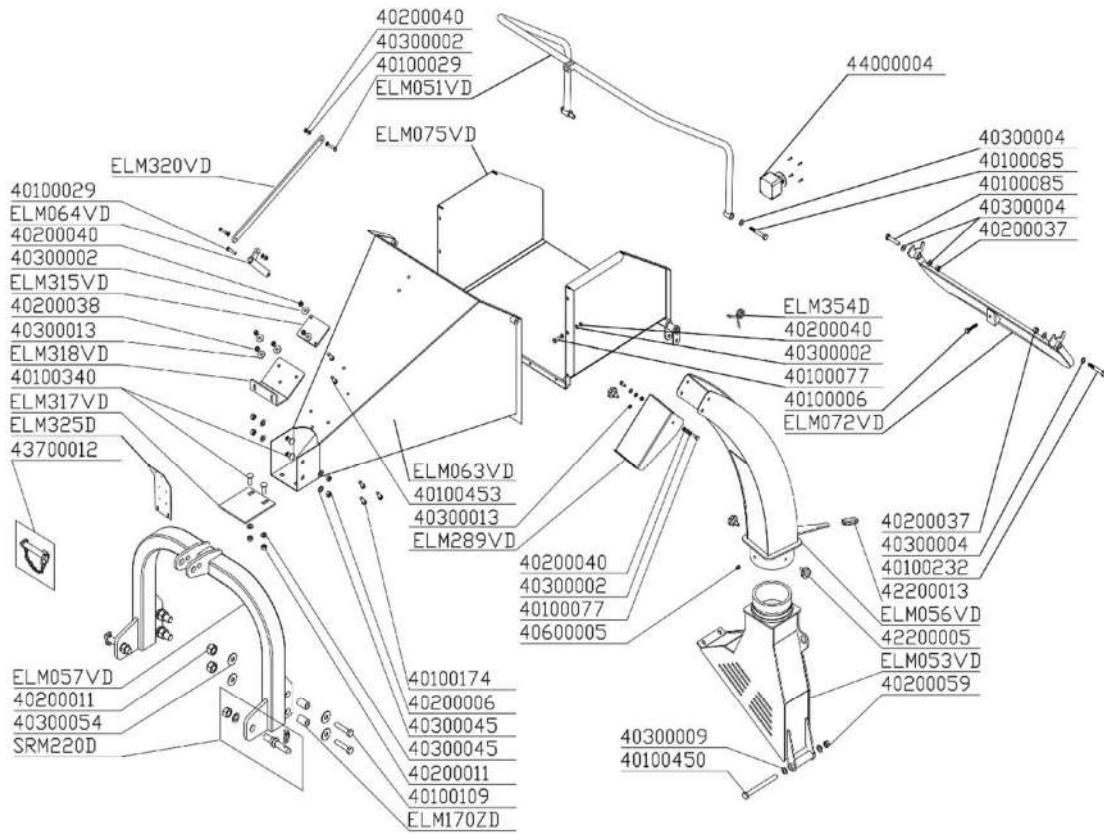
MECHANISMS SCORPION



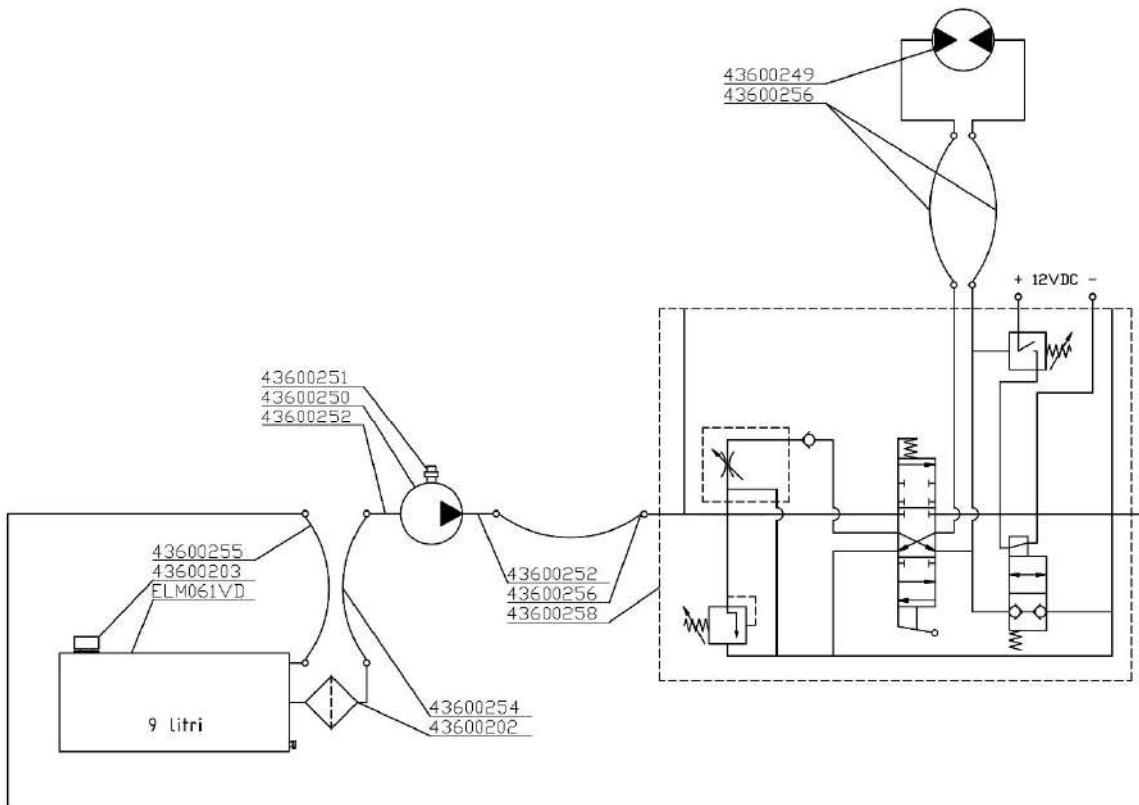
MACHINE BODY SCORPION



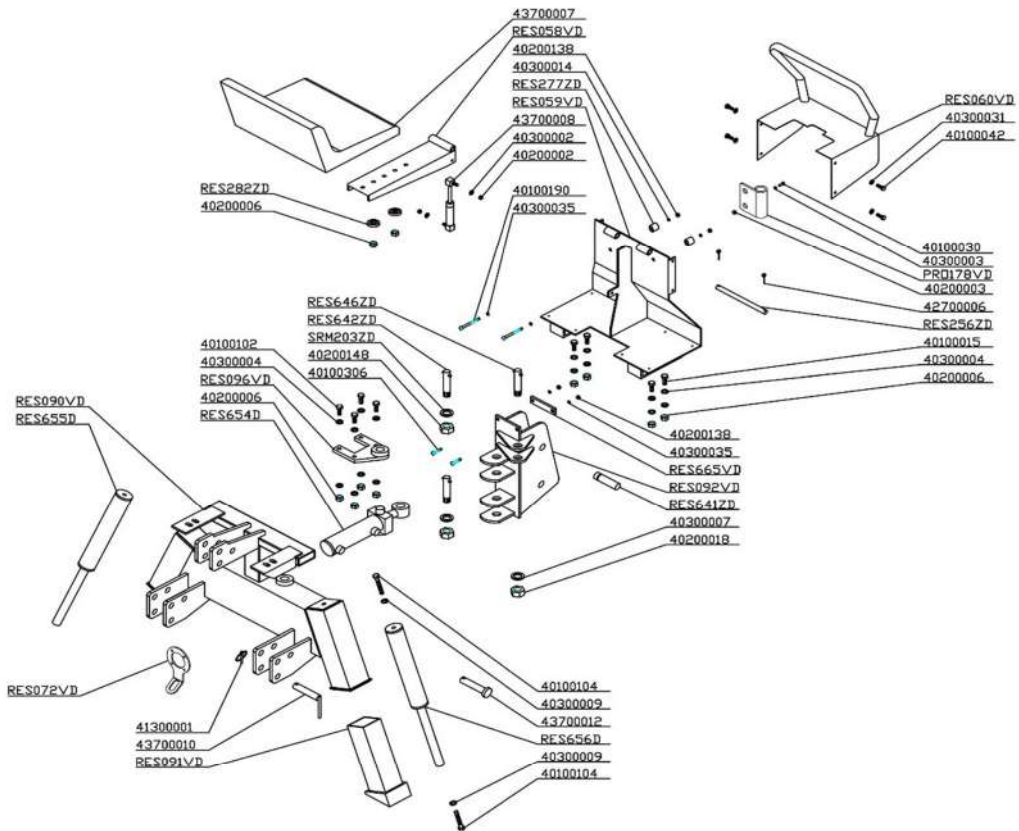
HOPPER – EJECTION TUBE – III POINT SCORPION



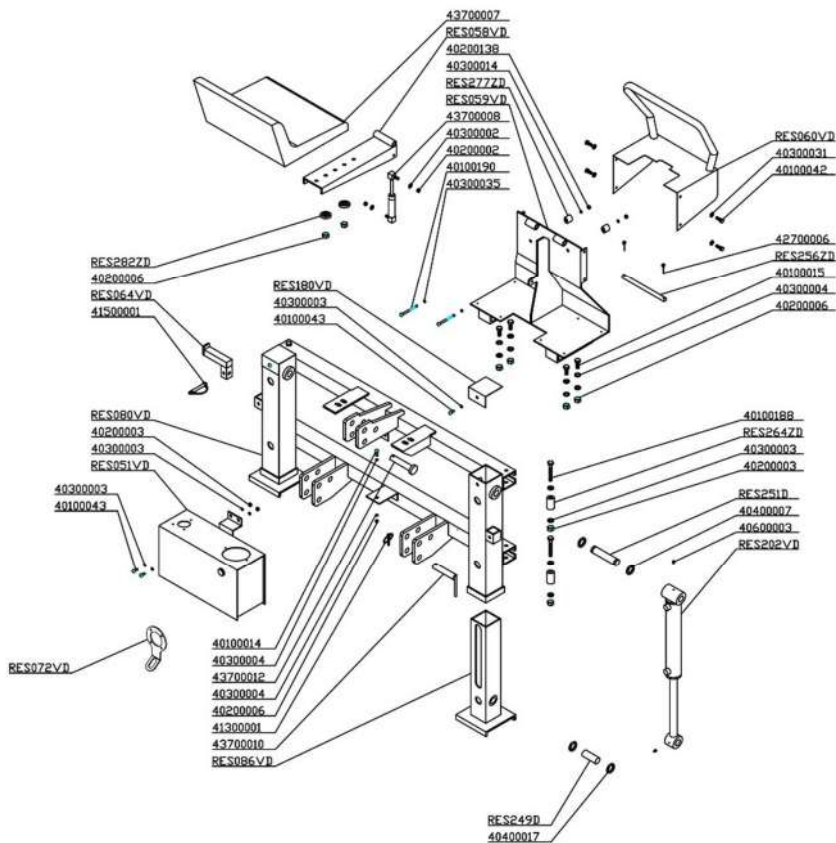
HYDRAULIC SYSTEM SCORPION



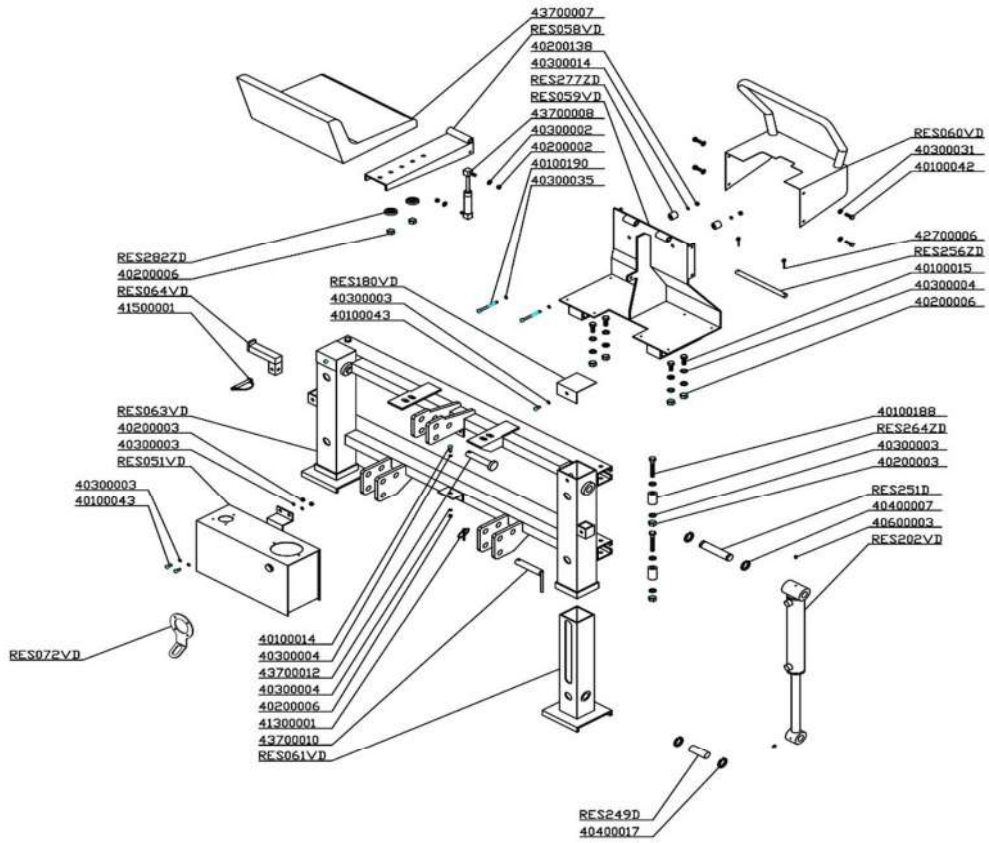
MAIN FRAME COMPONENTS RES 10



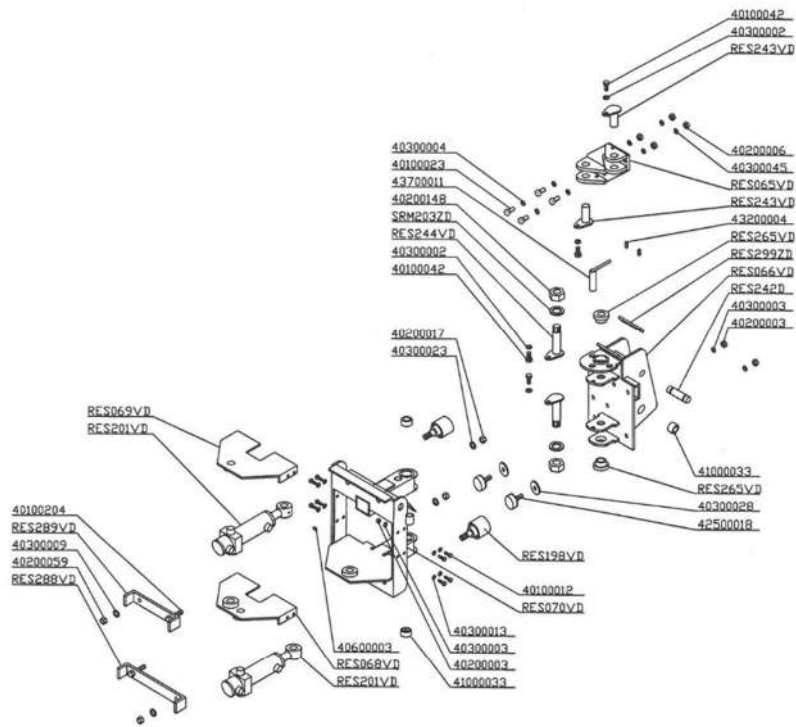
MAIN FRAME COMPONENTS RES 15-20



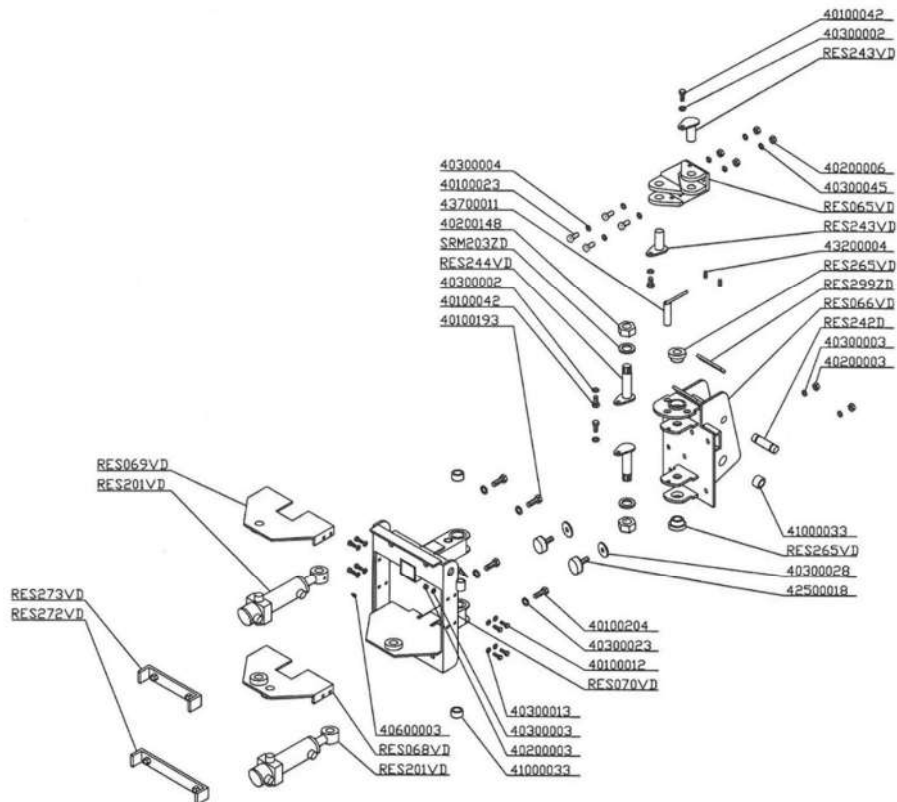
MAIN FRAME COMPONENTS RES 30



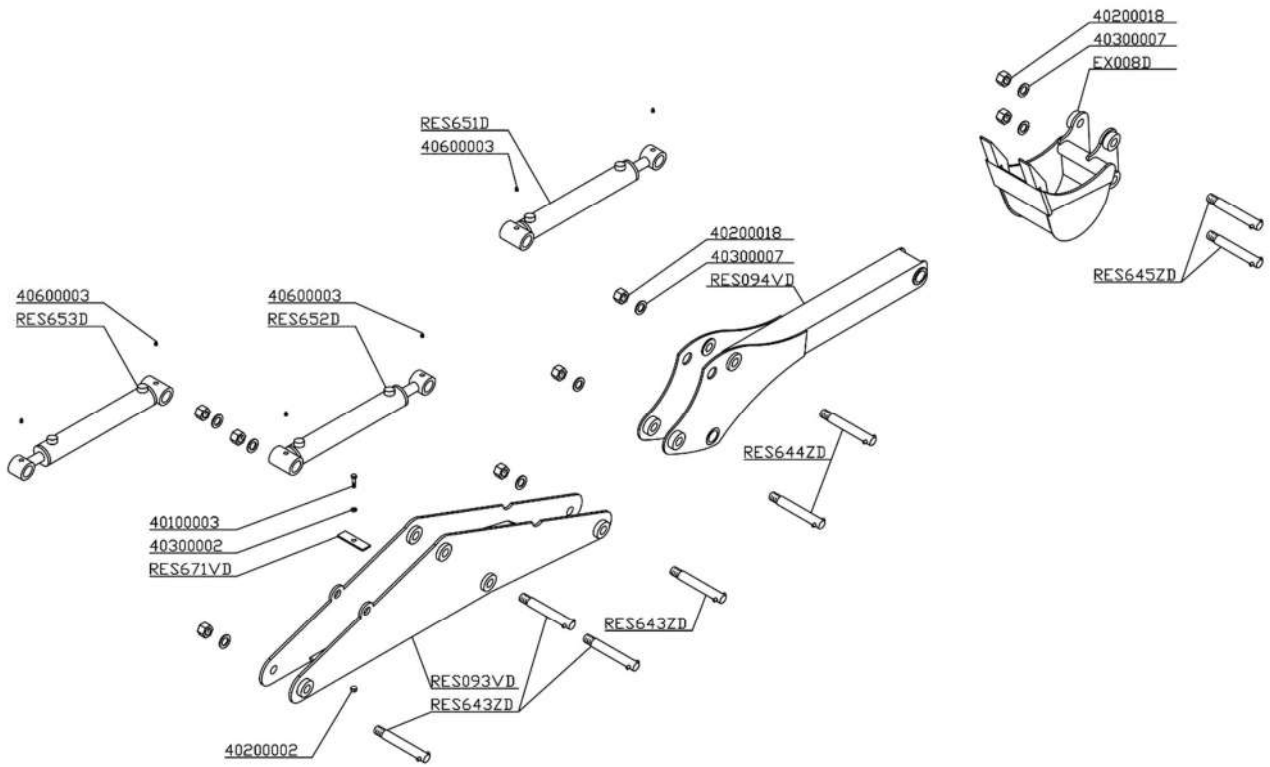
ROTATION GROUP COMPONENTS RES 15-20



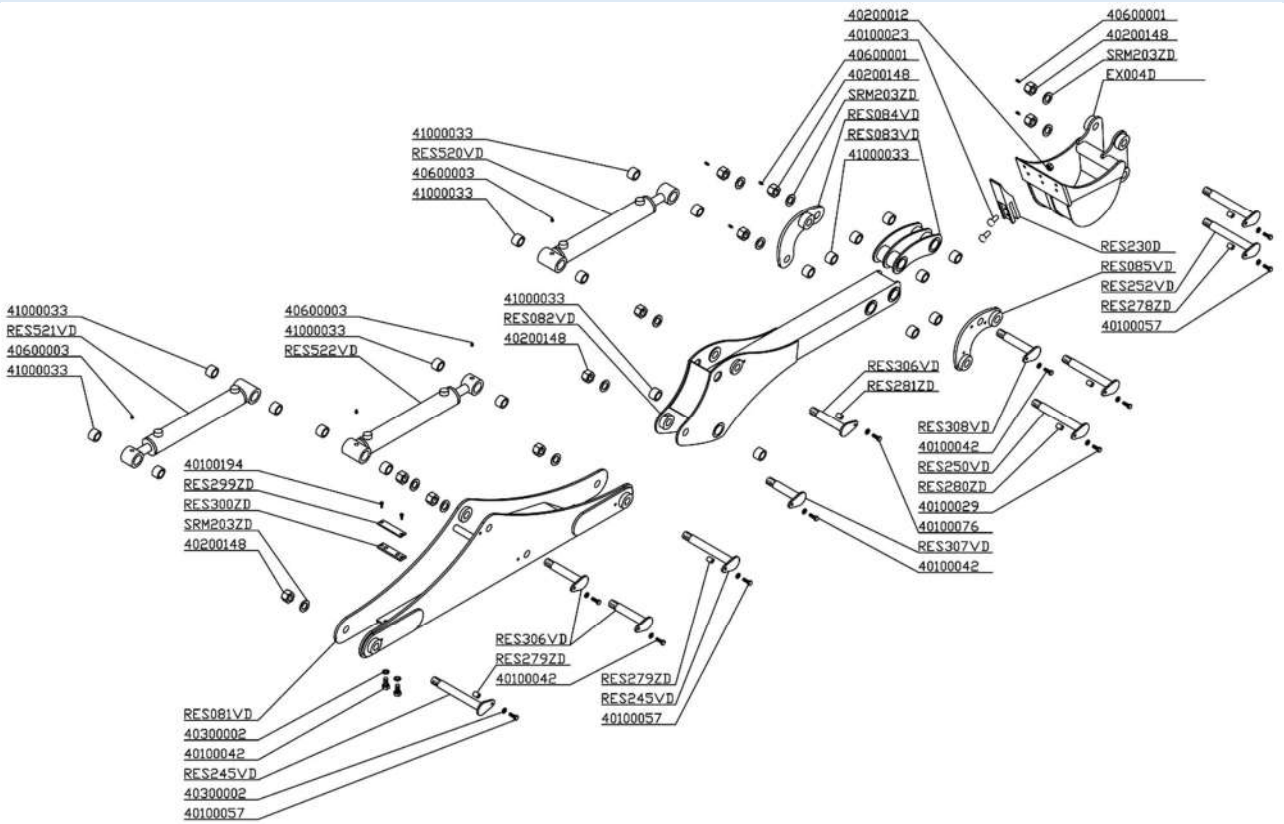
ROTATION GROUP COMPONENTS RES 30



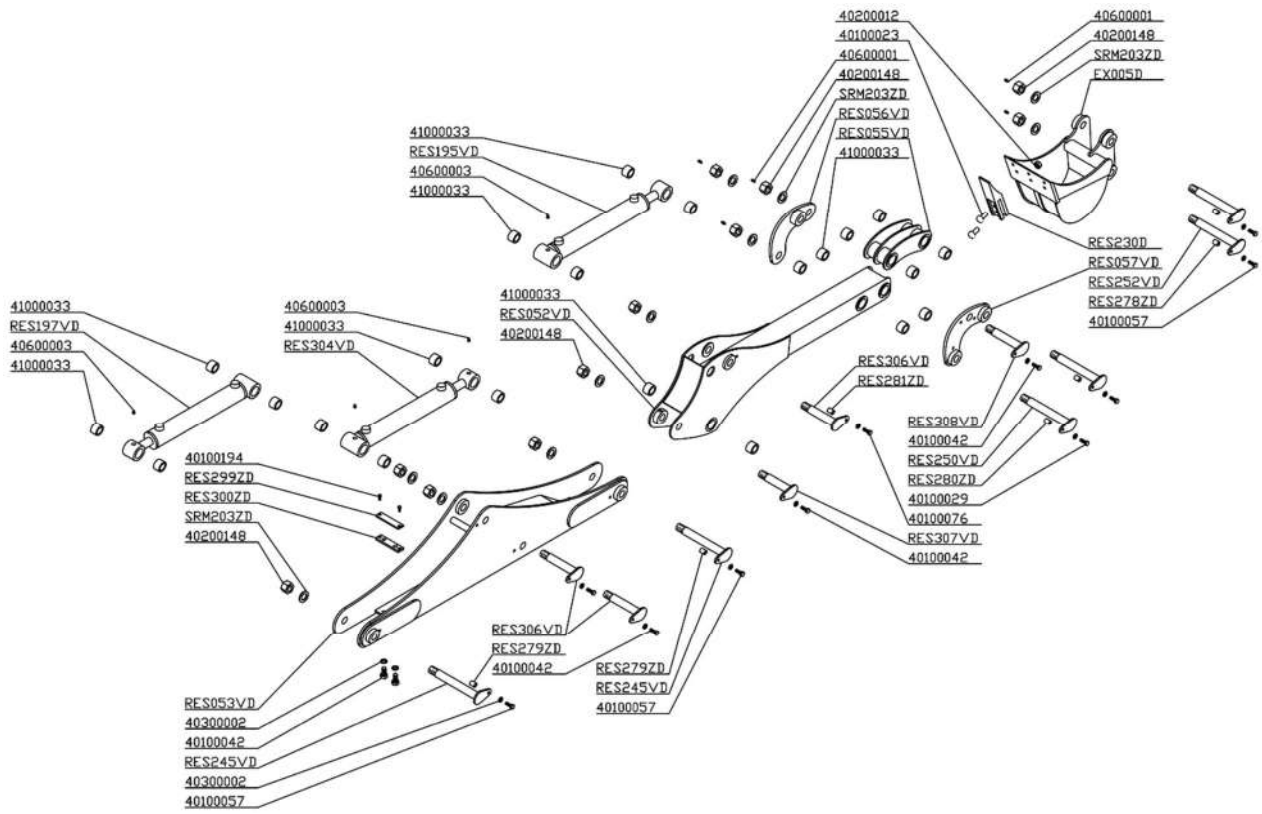
ARMS COMPONENTS RES 10



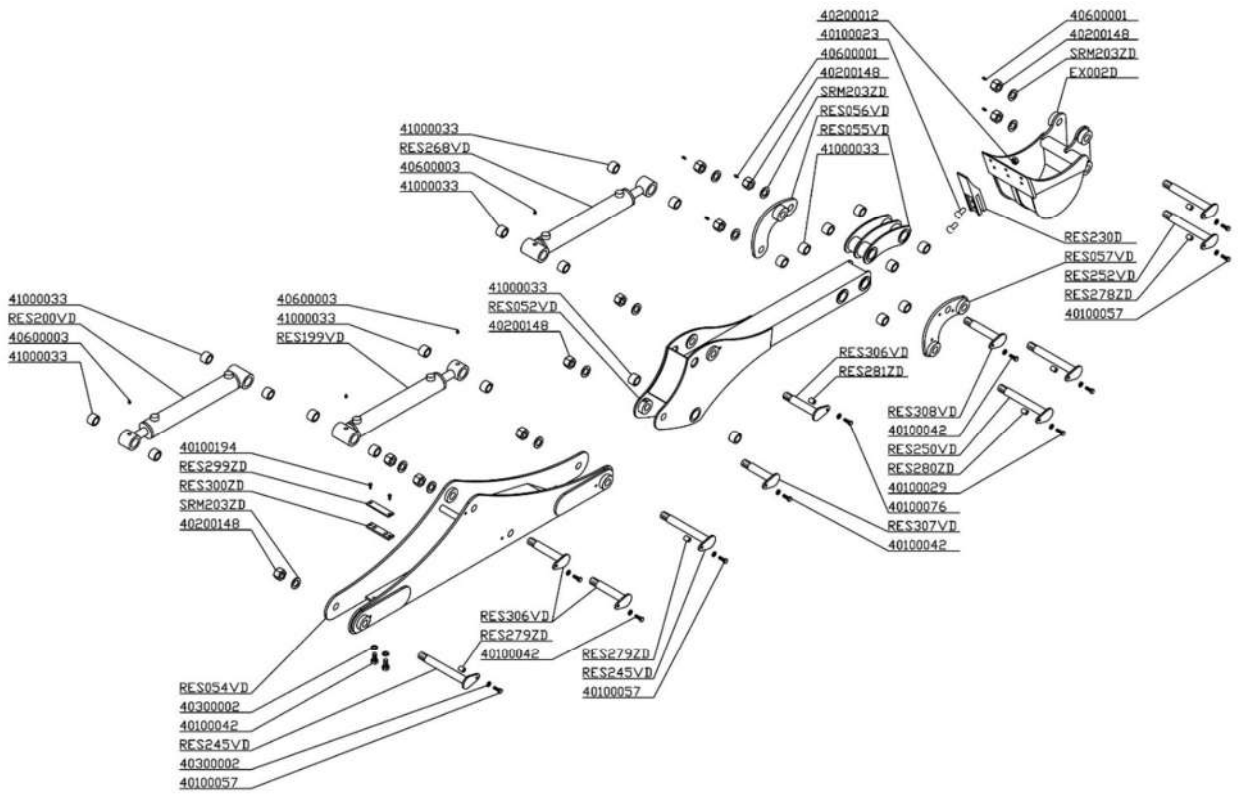
ARMS COMPONENTS RES 15



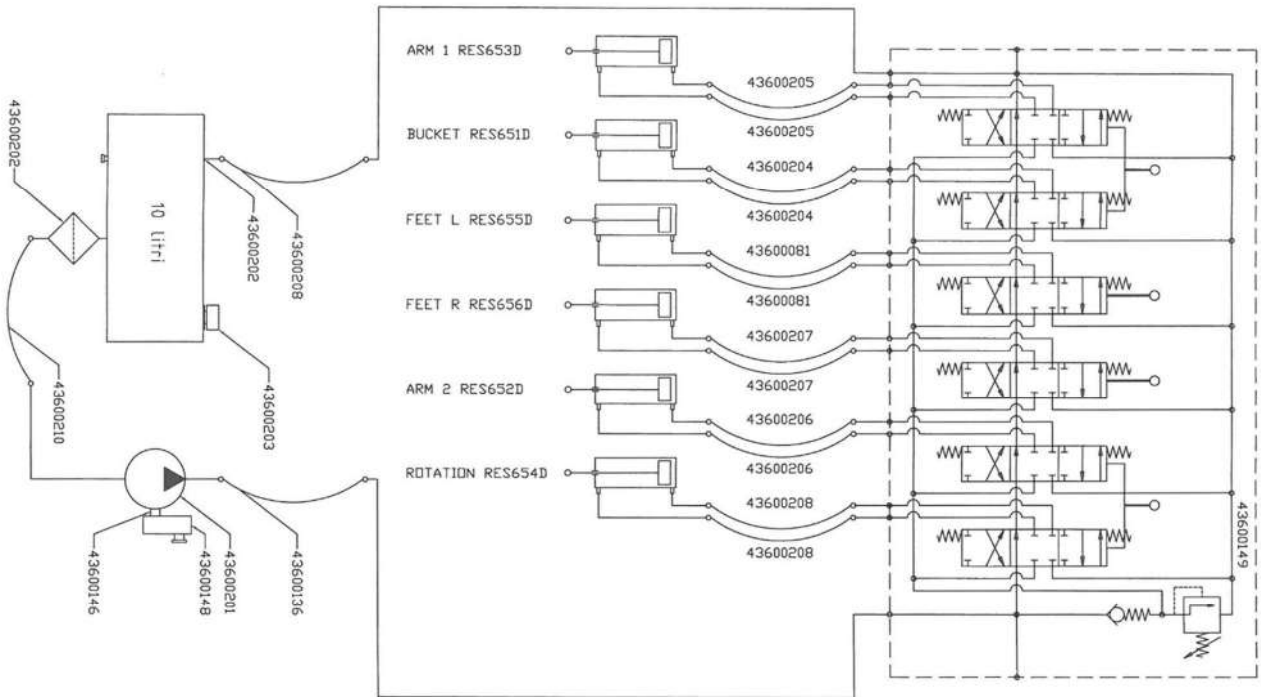
ARMS COMPONENTS RES 20



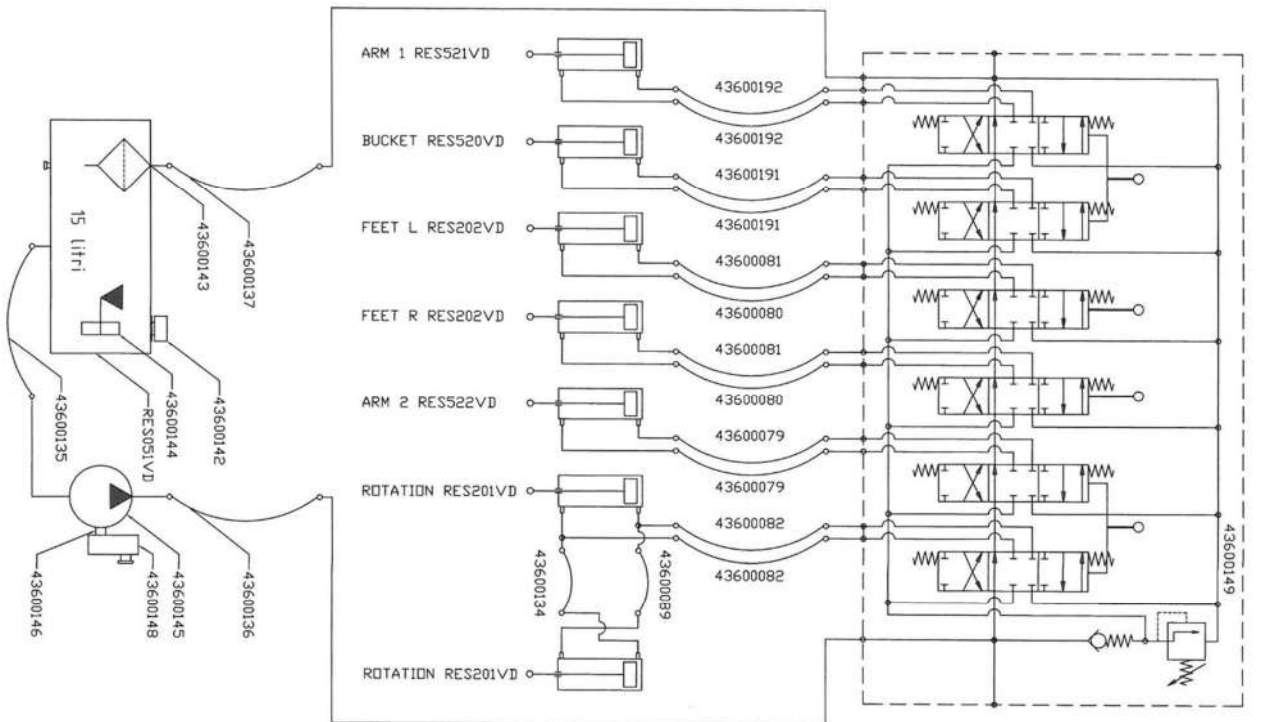
ARMS COMPONENTS RES 30



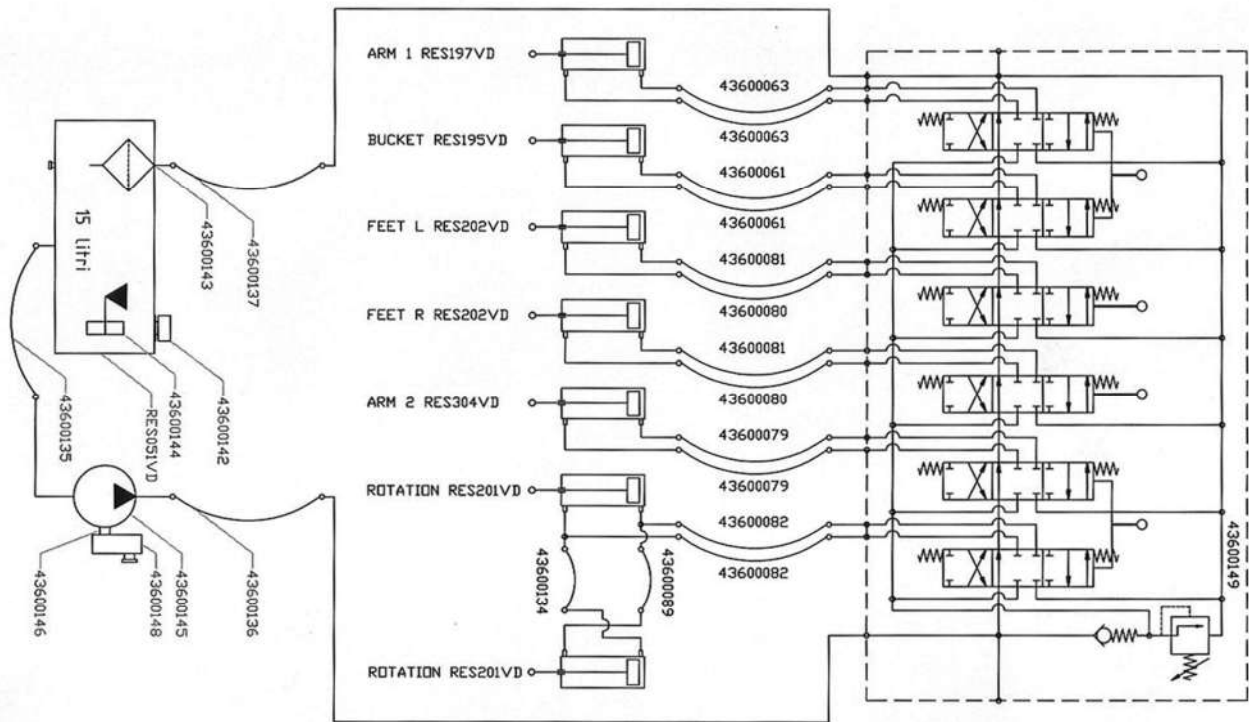
HYDRAULIC SYSTEM RES 10



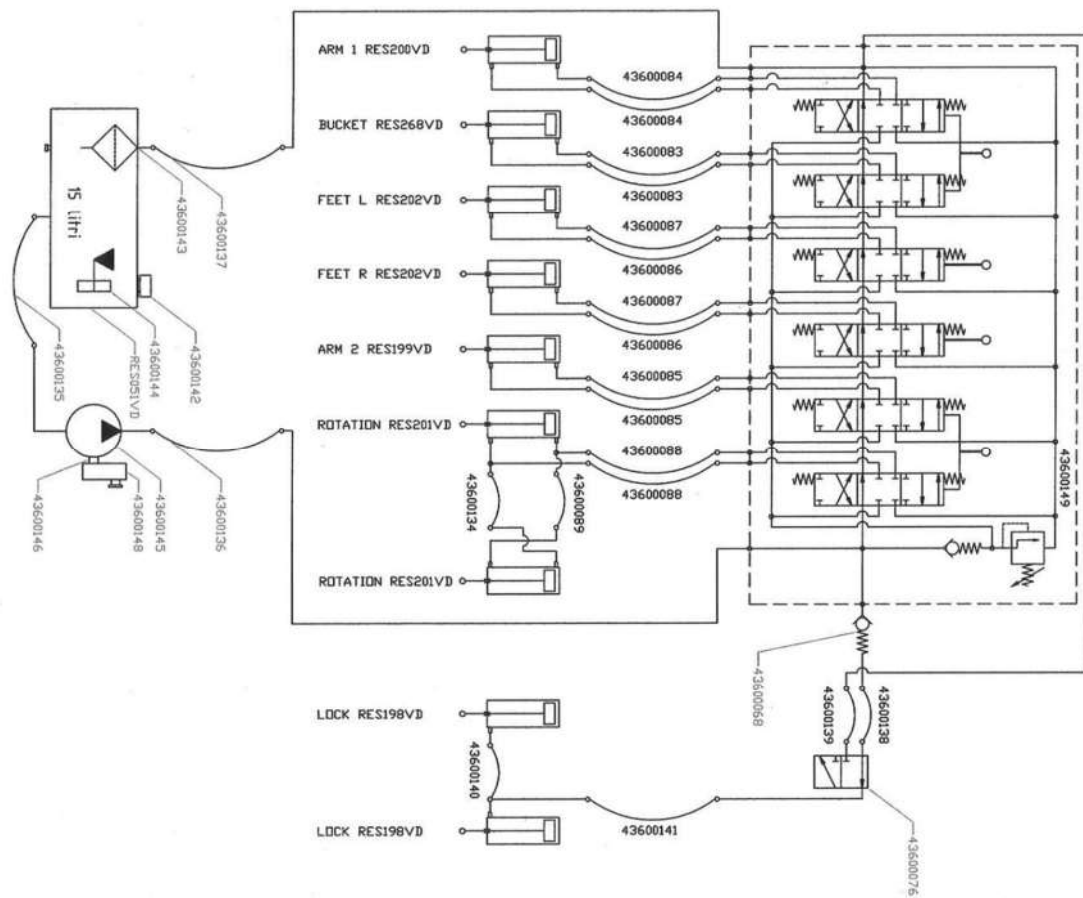
HYDRAULIC SYSTEM RES 15



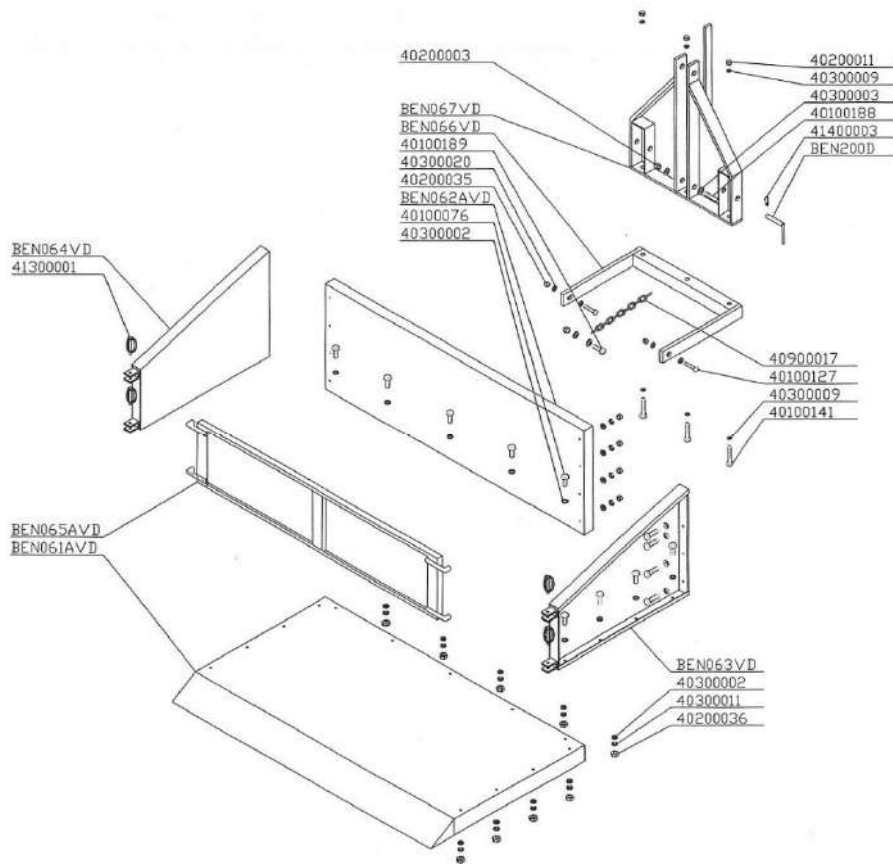
HYDRAULIC SYSTEM RES 20



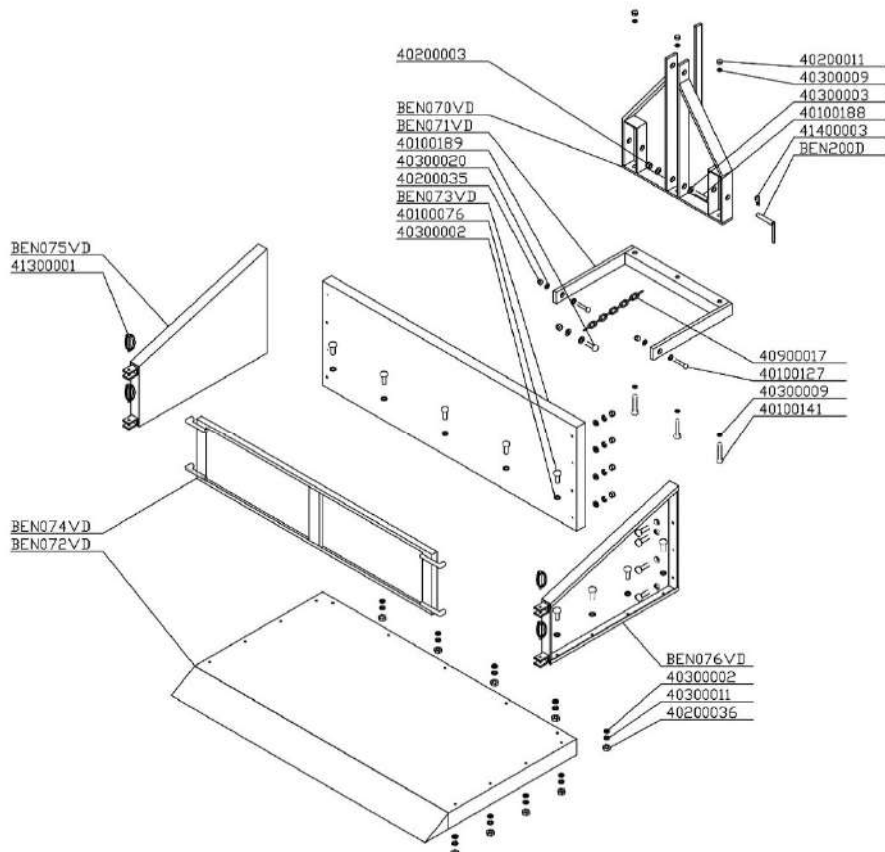
HYDRAULIC SYSTEM RES 30



SPARE PARTS BEN 100



SPARE PARTS BEN 120



SPARE PARTS BEN 150

